

LUCILLE TABLE LAMP



LUCILLE TABLE LAMP

DESCRIPTION

Encased in spun bronze, the Lucille table lamp emanates diffused light through a pane of selenite or milk glass. Expect natural variations with each unique selenite diffuser. Part of our Natural Stone Collection.

LAMPING

We suggest the use of LED bulbs under 40 Watts. In order to reduce the consumption of electricity and to ensure the lifetime guarantee of our products. Incandescent bulbs emit heat that can cause damage to the luminaire overtime.

2 x E12 Lamp Base. 120VAC

Ships with complimentary Tala Candelabra LED bulbs.

SPECIFICATIONS


Materials: Brass, Bronze, Milk Glass, Selenite (All metal finishes are lacquered).

Available in small or large. Available in a pendant, or flush mount.


Dimming compatible.

This item is made-to-order with a 10-12 week production lead time prior to shipping.

SHADE FINISH



Brushed Satin Bronze



Oil Rubbed Bronze

Finish samples available upon request.

STEM + BASE FINISH



Oil Rubbed Brass


Finish samples available upon request.

CERTIFICATIONS

cUL, UL Certified.

CE certification available upon request.

Dry location rated.



DIFFUSER FINISH



Milk Glass



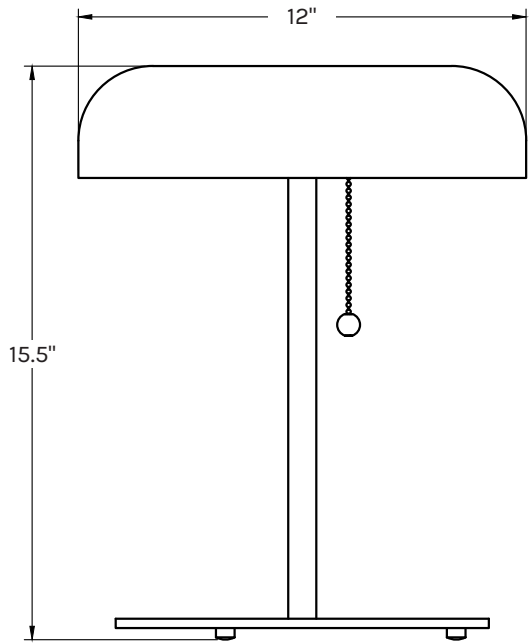
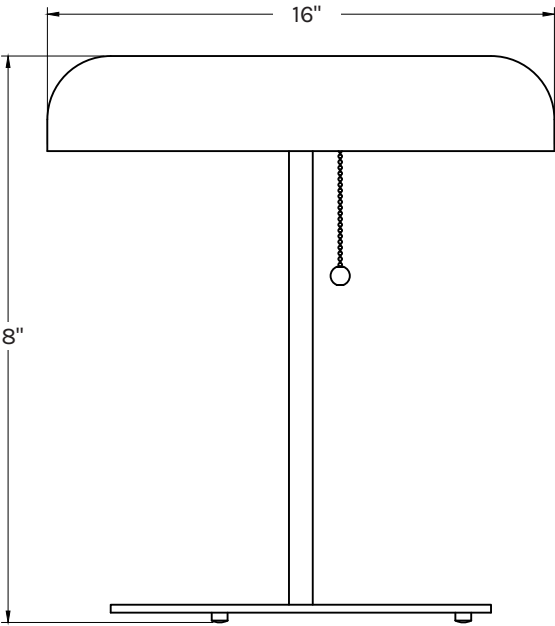
Selenite

Finish samples available upon request.

PRODUCT CARE

Please care for the brass pieces with a soft cloth. Avoid using any abrasive cleaners or products. Natural patina process is quickened by touch and exposure.

Gloves are recommended for installation.

<p>SMALL</p> 	<p>DIMENSIONS</p> <p>Overall Dimensions: - 12" Dia x 15.5" H</p>
<p>LARGE</p> 	<p>DIMENSIONS</p> <p>Overall Dimensions: - 16" Dia x 18" H</p>