

FAYE SCONCE



FAYE SCONCE

DESCRIPTION

A modern rendition of the angular sconces found in European cafés, the Faye is rendered in cast bronze and hand blown glass and is well suited to kitchens and terraces alike.

LAMPING

We suggest the use of LED bulbs under 40 Watts. In order to reduce the consumption of electricity and to ensure the lifetime guarantee of our products. Incandescent bulbs emit heat that can cause damage to the luminaire overtime.

E26 Lamp Base. 120VAC.

Ships with complimentary Tala Squirrel Cage LED bulb.

SPECIFICATIONS

Materials: Cast Bronze, Glass, Brass (All metal finishes are lacquered).

Dimming compatible.

This item is made-to-order with a 10-12 week production lead time prior to shipping.

METAL FINISH



Cast Bronze



Oil Rubbed Bronze


Finish samples available upon request.

CERTIFICATIONS


cUL, UL Certified.

CE certification available upon request.

Dry and damp location rated.



GLASS FINISH



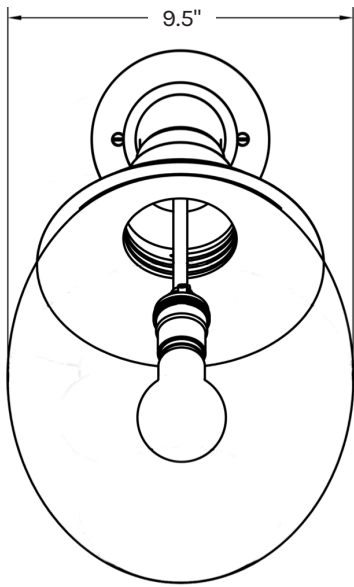
Clear Glass

PRODUCT CARE

Please care for the brass pieces with a soft cloth. Avoid using any abrasive cleaners or products. Natural patina process is quickened by touch and exposure.

Gloves are recommended for installation.

FAYE SCONCE - FRONT



DIMENSIONS

- Overall Dimensions:
- 9.5" W x 18" H
 - Shade: 9.5" W x 14.5" H
 - Backplate: 5" Diameter
 - Weight: 18 lbs

FAYE SCONCE - SIDE

