

EMIL LANTERN



EMIL LANTERN

DESCRIPTION

The Emil Wall Lantern provides versatility both indoors and out. Clean bent brass lines update this classic lantern with a nod to tradition.

SPECIFICATIONS

Materials: Brass, Glass (All finishes are lacquered)

Dimming compatible.

This item is made-to-order with a 10-12 week production lead time prior to shipping.


CERTIFICATIONS

cUL, UL Certified.

CE certification available upon request.

Dry or damp location rated.

IP Rated 54



PRODUCT CARE

Please care for the brass pieces with a soft cloth. Avoid using any abrasive cleaners or products. Natural patina process is quickened by touch and exposure.

Gloves are recommended for installation.

LAMPING

We suggest the use of LED bulbs under 40 Watts. In order to reduce the consumption of electricity and to ensure the lifetime guarantee of our products. Incandescent bulbs emit heat that can cause damage to the luminaire overtime.

Small: E12 Lamp Base. 120VAC
 Large: E26 Lamp Base. 120VAC

Ships with complimentary Tala Candelabra LED bulb with the Small Emil and Tala Squirrel Cage LED bulb with the Large Emil.

METAL FINISH



Antique
Brass



Brushed Satin
Brass




Oil Rubbed
Brass



Brushed Satin
Nickel

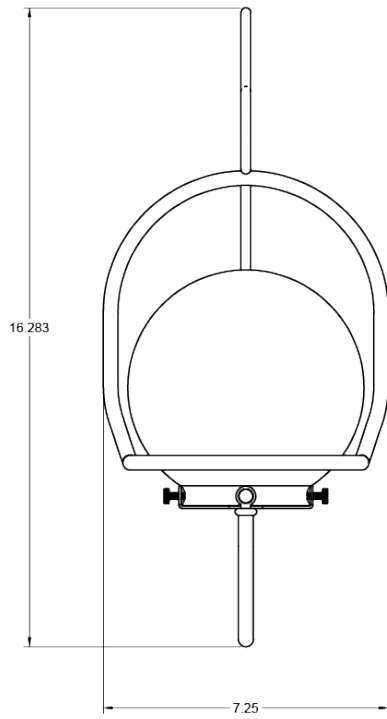
Finish samples available upon request.

GLASS FINISH



Clear Glass

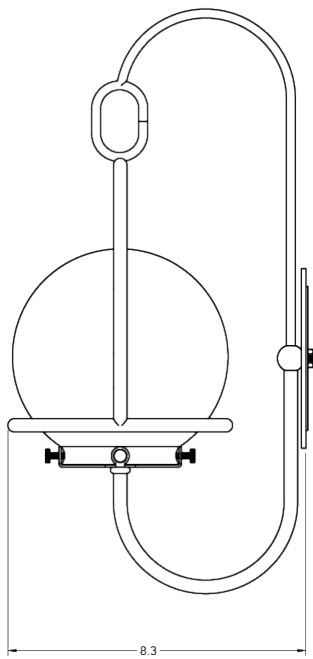
SMALL EMIL LANTERN - FRONT



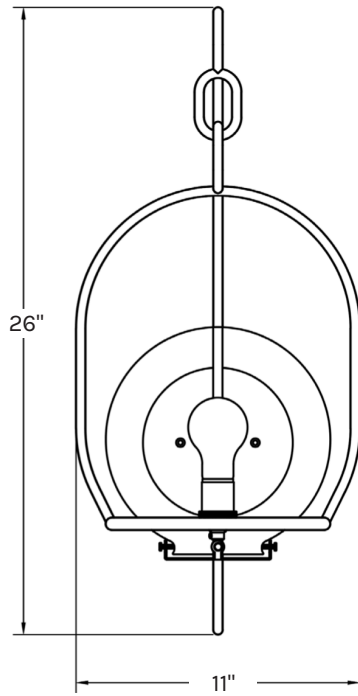
DIMENSIONS

- Overall Dimensions:
- 7.25" W x 8.3" D x 16" H
 - Globe: 6"
 - Backplate: 5" Dia
 - Weight: 2.45 lbs.

SMALL EMIL LANTERN - SIDE



LARGE EMIL LANTERN - FRONT



DIMENSIONS

- Overall Dimensions:
- 11" W x 11" D x 26" H
 - Globe: 10"
 - Backplate: 6" Dia
 - Weight: 5.5 lbs.

LARGE EMIL LANTERN - SIDE

