

CLASSIC MIRRORED CHANDELIER



RTO LIGHTING

SPEC SHEET

CLASSIC MİRRORED CHANDELIER

DESCRIPTION

The Classic Mirror Chandelier evokes a Victorian-era antique with its faceted steel exterior and hand-applied glass interior that magnifies and mesmerizes the light.

LAMPING

We suggest the use of LED bulbs under 40 Watts. In order to reduce the consumption of electricity and to ensure the lifetime guarantee of our products. Incandescent bulbs emit heat that can cause damage to the luminaire overtime.

E26 Lamp Base. 120VAC.

SPECIFICATIONS

Materials: Galvanized Steel, Glass, Brass (All finishes are lacquered).

Each chandelier is made to order. List price includes 36" overall drop.


+ Standard overall drop height: 36" H

+ Longer drop beyond 36" can be customized for an additional fee. Please inquire.

Dimming compatible.

This item is made-to-order with a 12-14 week production lead time prior to shipping.




SHADE FINISH



Oil Rubbed Galvanized Steel

Finish samples available upon request.

GLASS FINISH

Milk Glass Clear Glass Ribbon Glass


Finish samples available upon request.

CERTIFICATIONS

cUL, UL Certified.

CE certification available upon request.

Dry location rated.



CANOPY, DROP POLE, AND LIGHT CLUSTER FINISH



Oil Rubbed Brass

Finish samples available upon request.

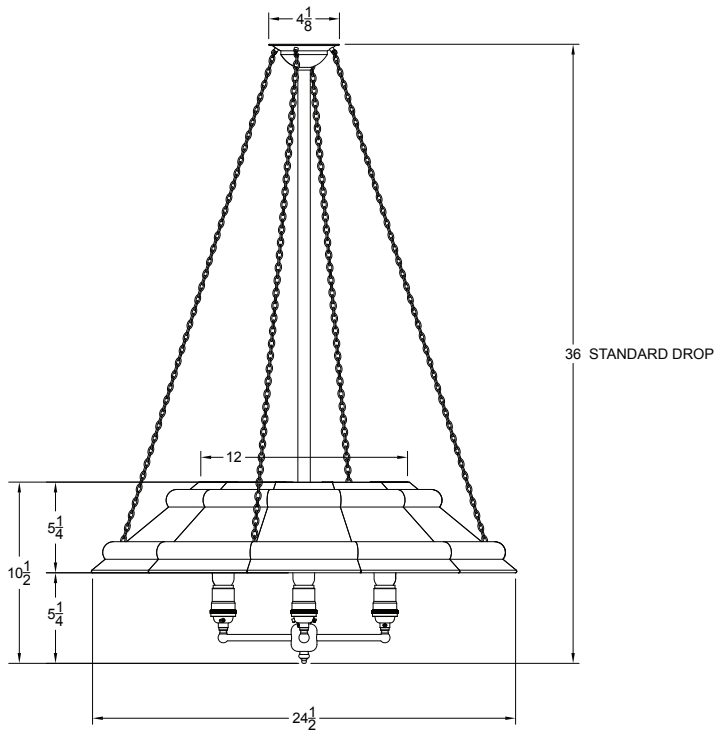
PRODUCT CARE

Please care for the brass pieces with a soft cloth. Avoid using any abrasive cleaners or products. Natural patina process is quickened by touch and exposure.

Gloves are recommended for installation.

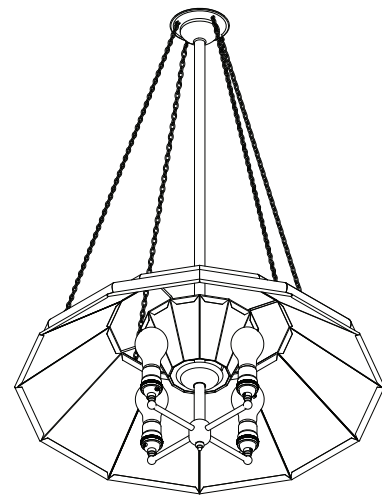
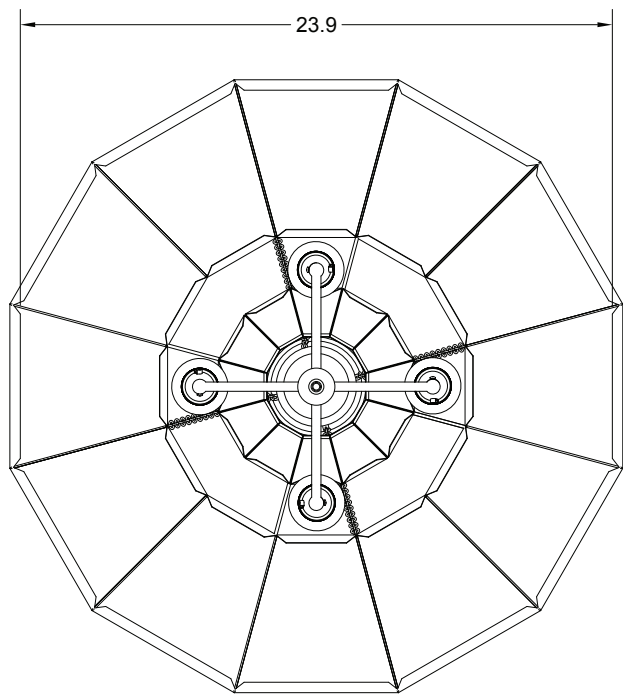
24" - CLASSIC MİRRORED CHANDELIER

DIMENSIONS



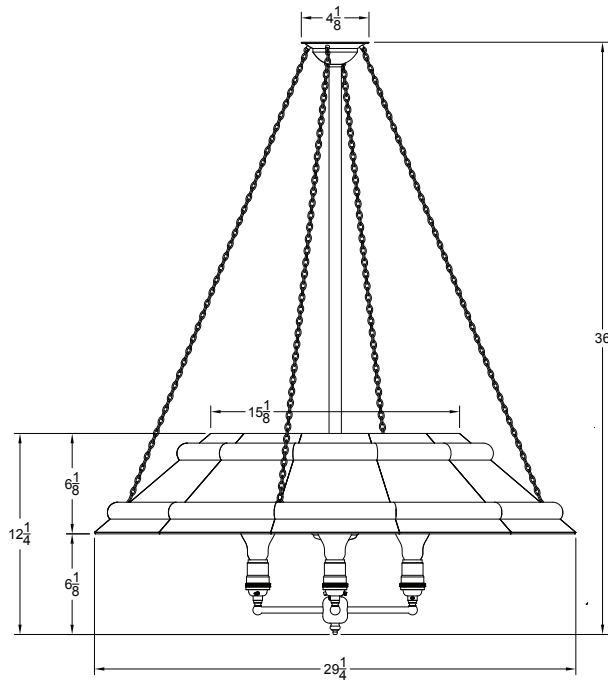
- Shade + Light Cluster:
24 - 1/2" Diameter x 10 - 1/2" H
- Sockets: 4
- Canopy: 4-1/8" DIA
- Minimum Overall Drop: 20" H

24" - CLASSIC MİRRORED CHANDELIER BOTTOM



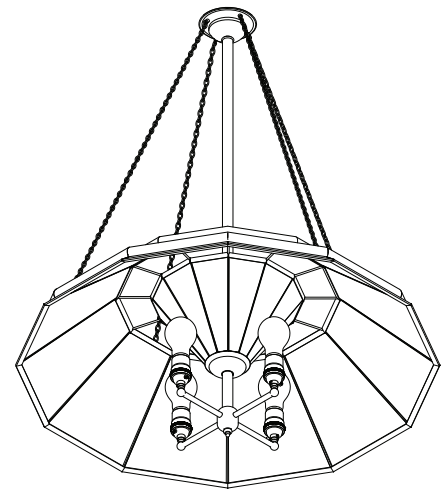
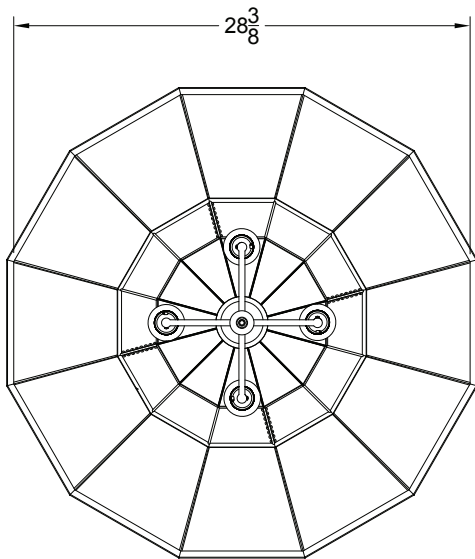
30" - CLASSIC MİRRORED CHANDELIER

DIMENSIONS



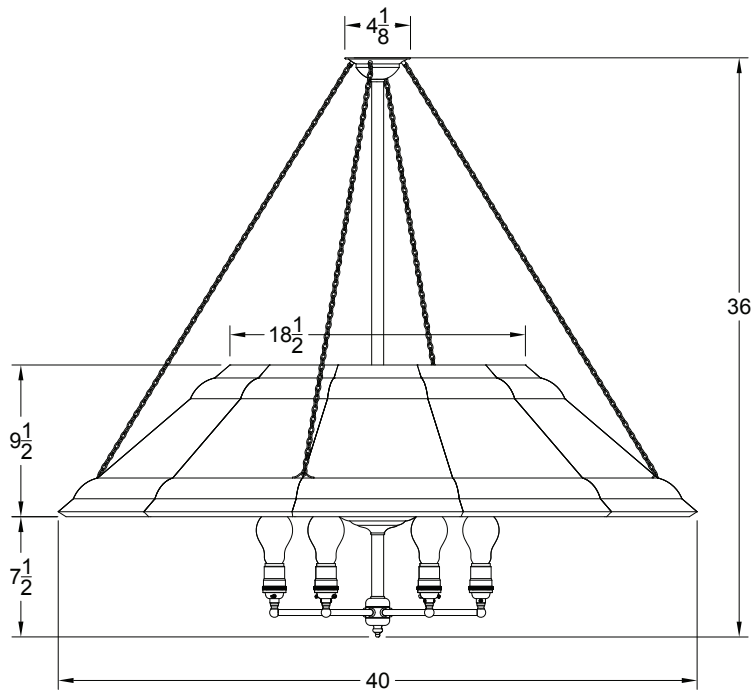
- Shade + Light Cluster:
29 - 1/4" Diameter x 12 - 1/4" H
- Sockets: 4
- Canopy: 4-1/8" DIA
- Minimum Overall Drop: 20" H

30" - CLASSIC MİRRORED CHANDELIER BOTTOM



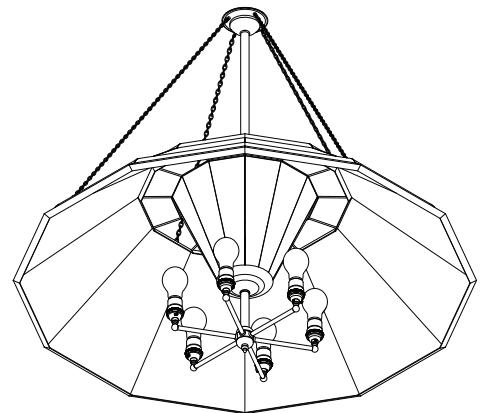
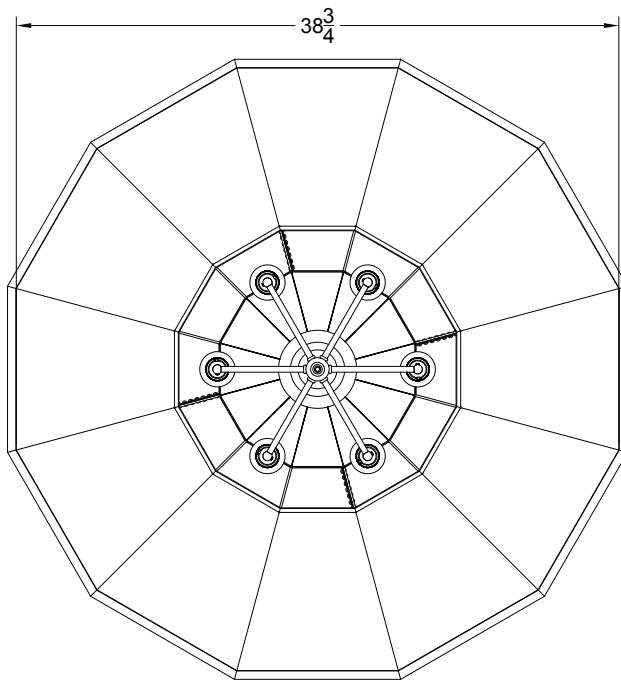
40" - CLASSIC MİRRORED CHANDELIER

DIMENSIONS



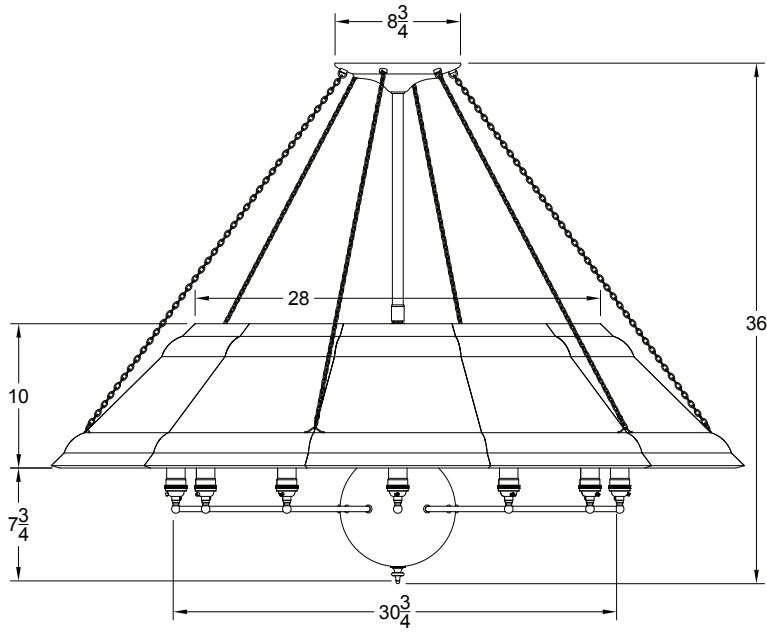
- Shade + Light Cluster:
40" Diameter x 17" H
- Sockets: 6
- Canopy: 4-1/8" DIA
- Minimum Overall Drop: 24" H

40" - CLASSIC MİRRORED CHANDELIER BOTTOM



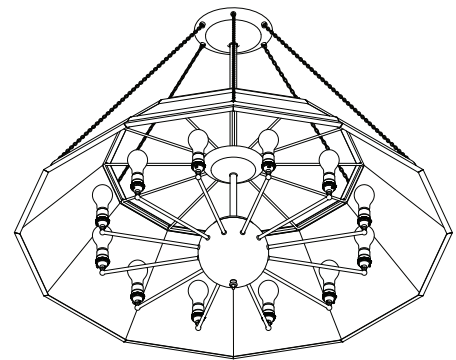
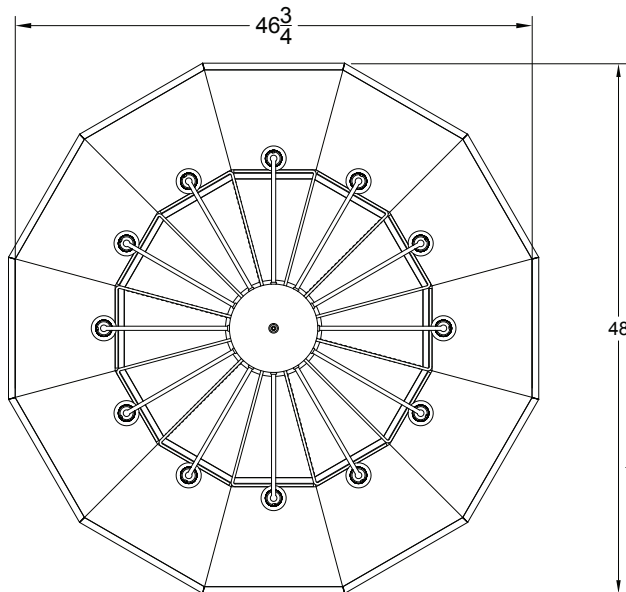
48" - CLASSIC MIRRORED CHANDELIER

DIMENSIONS



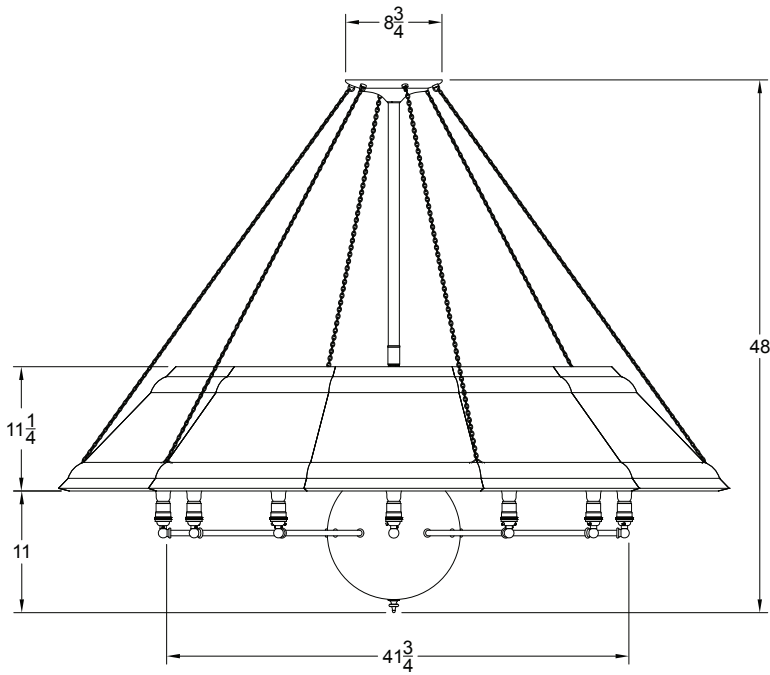
- Shade + Light Cluster:
48" Diameter x 17 - 3/4" H
- Sockets: 12
- Canopy: 8-3/4" DIA
- Minimum Overall Drop: 24" H

48" - CLASSIC MIRRORED CHANDELIER BOTTOM



60" - CLASSIC MIRRORED CHANDELIER

DIMENSIONS



- Shade + Light Cluster:
60 - 1/2" Diameter x 22 - 1/4" H
- Sockets: 12
- Canopy: 8 - 3/4" DIA
- Minimum Overall Drop: 36" H

60" - CLASSIC MIRRORED CHANDELIER BOTTOM

