

ARLO SCONCE



ARLO SCONCE

DESCRIPTION

The Arlo Sconce features a spun bronze reflector affixed to a curved brass arm, complimenting any space with warmth and subtlety.

LAMPING

We suggest the use of LED bulbs under 40 Watts. In order to reduce the consumption of electricity and to ensure the lifetime guarantee of our products. Incandescent bulbs emit heat that can cause damage to the luminaire overtime.

E12 Lamp Base. 120VAC.

Ships with complimentary Tala Pluto LED bulb.

SPECIFICATIONS

Materials: Bronze, Brass (All finishes are lacquered)

Available in Brushed Satin Brass with Brushed Satin Bronze Shade, Oil Rubbed Brass with Oil Rubbed Bronze Shade, Brushed Satin Nickel with Brushed Satin Bronze Shade.

Dimming compatible.

This item is made-to-order with a 10-12 week production lead time prior to shipping.

ARMATURE + BACKPLATE



Oil Rubbed
Brass



Brushed Satin
Brass



Brushed Satin
Nickel


Finish samples available upon request.

CERTIFICATIONS

cUL, UL Certified.

CE certification available upon request.

Dry or damp location rated



SHADE FINISH



Oil Rubbed Bronze



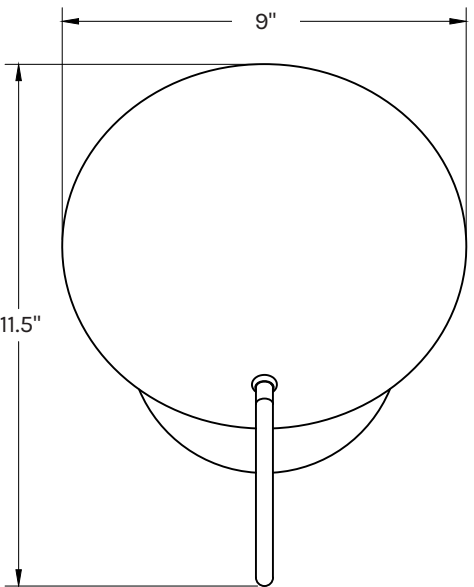
Brushed Satin Bronze

Finish samples available upon request.

PRODUCT CARE

Please care for the brass pieces with a soft cloth. Avoid using any abrasive cleaners or products. Natural patina process is quickened by touch and exposure.

Gloves are recommended for installation.

FRONT	DIMENSIONS
	<p>Overall Dimensions:</p> <ul style="list-style-type: none">- 9" W x 9.5" D x 11.5" H- Shade: 9" W- Backplate: 6" Diameter- Weight: 2.75 lbs

SIDE	
