

ALICE SCONCE



RTO LIGHTING

SPEC SHEET

ALICE SCONCE

DESCRIPTION

The Alice Sconce is has a bench-made brass structure that supports a natural wood holder for the clear or opal glass rondel lens. Each light is backed by a hand-spun brass reflector.

LAMPING

We suggest the use of LED bulbs under 40 Watts. In order to reduce the consumption of electricity and to ensure the lifetime guarantee of our products. Incandescent bulbs emit heat that can cause damage to the luminaire overtime.

1 x E12 Lamp Base. 120VAC

Ships with complimentary Tala Candelabra bulbs.

SPECIFICATIONS

Materials: Brass, Wood, Glass (All metal finishes are lacquered)

Dimming compatible.

This item is made-to-order with a 12- 14 week production lead time prior to shipping.

METAL FINISH



Brushed Satin Brass


Finish samples available upon request.

CERTIFICATIONS


cUL, UL Certified.

CE certification available upon request.


Dry Location Rated



LENS FINISH



Clear




Opal

PRODUCT CARE


Please care for the brass pieces with a soft cloth. Avoid using any abrasive cleaners or products. Natural patina process is quickened by touch and exposure.

Gloves are recommended for installation.

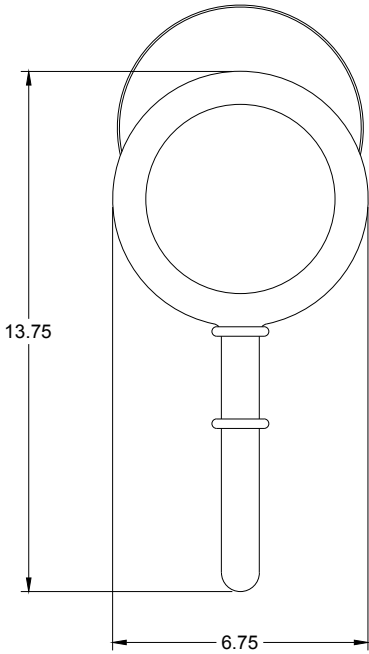
LENS HOLDER FINISH

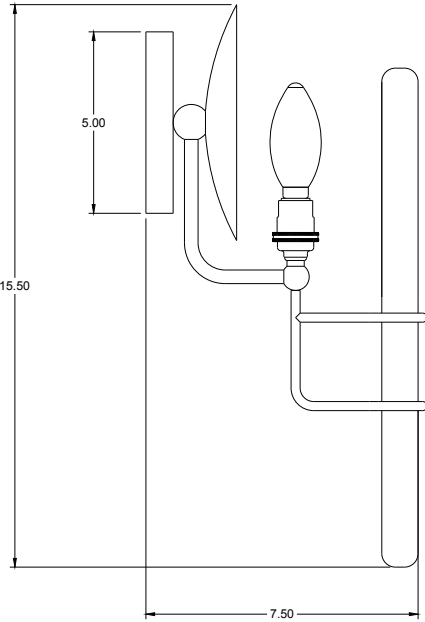


Natural Ash



Dark Wash Ash

ALICE SCONCE - FRONT VIEW	DIMENSIONS
	<p>Overall Dimensions:</p> <ul style="list-style-type: none"> - 6.75" W X 7.5" D X 15.5" H - Backplate: 5" Diameter - Lens Holder: 13.37" H X 6.75" W - Weight: 2.75 lbs

ALICE CHANDELIER FOUR ARM - TOP VIEW	
	

ALICE SCONCE - TOP

