

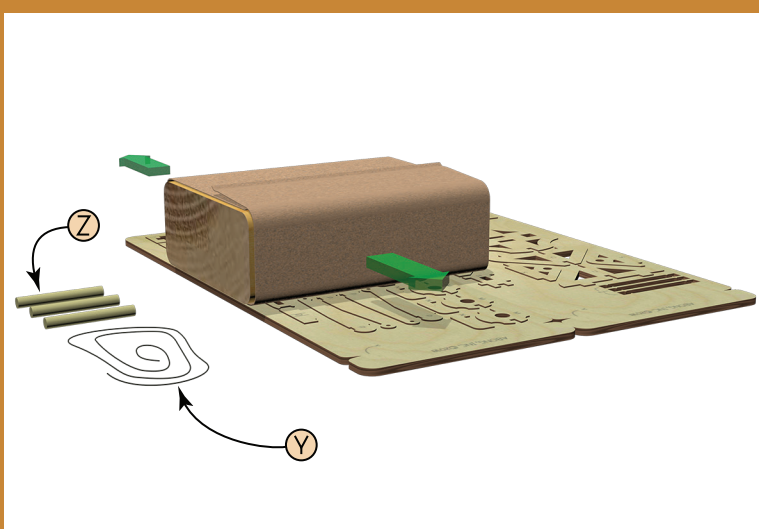
You will need:
Sandpaper
Scissors
Glue

YouTube
STEP BY STEP BUILD
VIDEO AVAILABLE AT
ABONG.COM

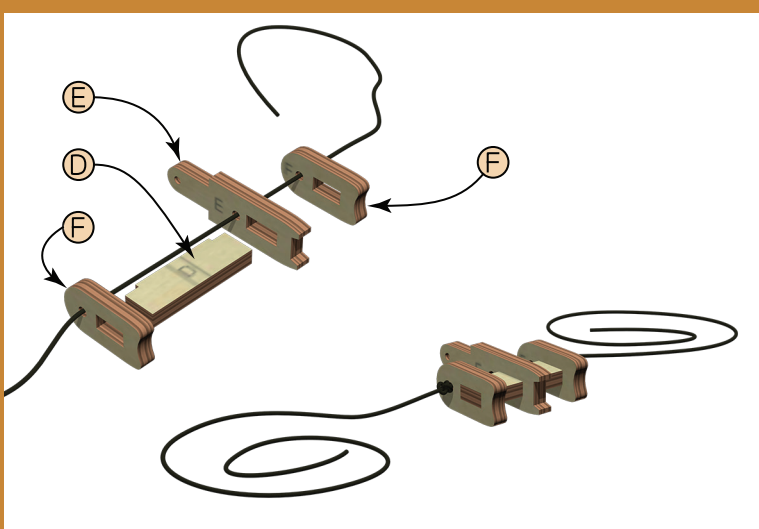
Manufactured By:
ABONG, Incorporated
5-775 Woodlawn Road W
Guelph, ON N1K 1Y7

WARNING!
CHOKING HAZARD - CONTAINS
SMALL PARTS. NOT RECOMMENDED
FOR CHILDREN UNDER 3 YEARS
RECOMMENDED FOR AGES 10+

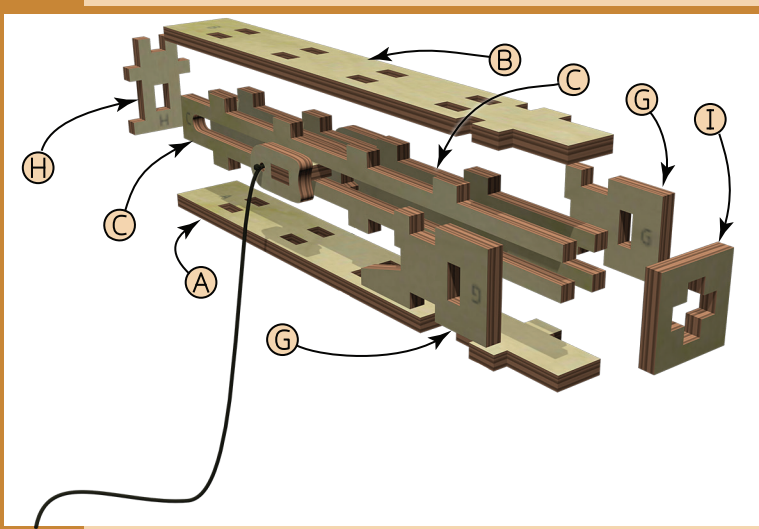
MINI BALLISTA



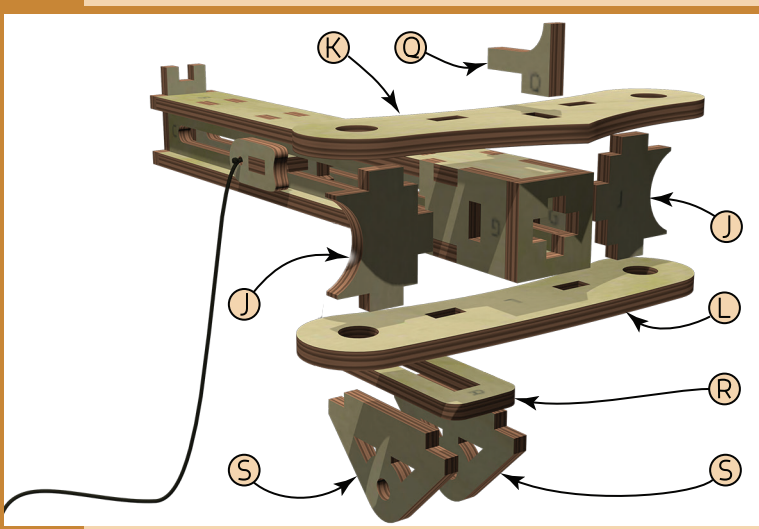
1 Remove and set aside the Cord (Y) and the Ammo (Z). Sand both sides of the carrier boards first with 150 grit and then 220 grit sandpaper. Cut the Cord (Y) into three equal lengths.



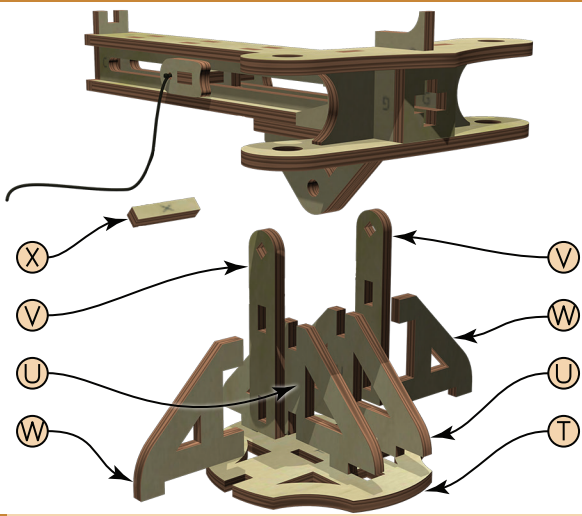
2 Glue the Nock (E) to the center of the Cross Piece (D) and the Guides (F) to the ends. Thread a piece of cord through the holes leaving an equal amount on both sides. Tie a knot against the outer faces as shown.



3 Glue two Sides (C) to the Bottom (A) and Top (B). Slip the nock assembly into the slot, then glue the two Cheek Pieces (G), Muzzle (I), and End Cap (H) into place.

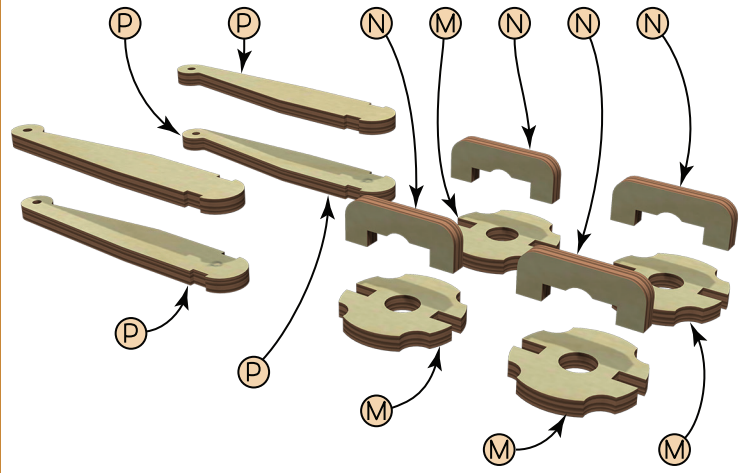


4 Glue the Braces (J) to the sides of the barrel, then glue the Sight (Q), Upper Frame (K) and Lower Frame (L) in place. Glue together the two Pivot Plates (S) and the Base Plate (R), then glue them to the underside.



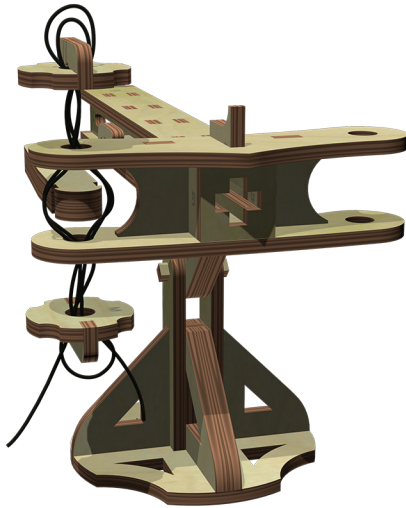
5

Glue together the two Center Frames (U), two Uprights (V), two Outer Frames (W), and the Base (T). Slip the Pivot Pin (X) through the Uprights (V) and pivot. Fix it with a drop of glue.



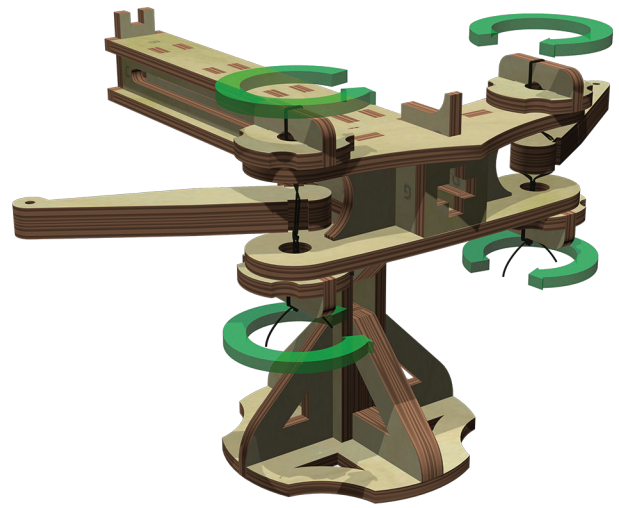
6

Glue together the Throwing Arm Halves (P) to create two throwing arms. Glue a Winder Bar (N) to each of the Winder Plates (M).



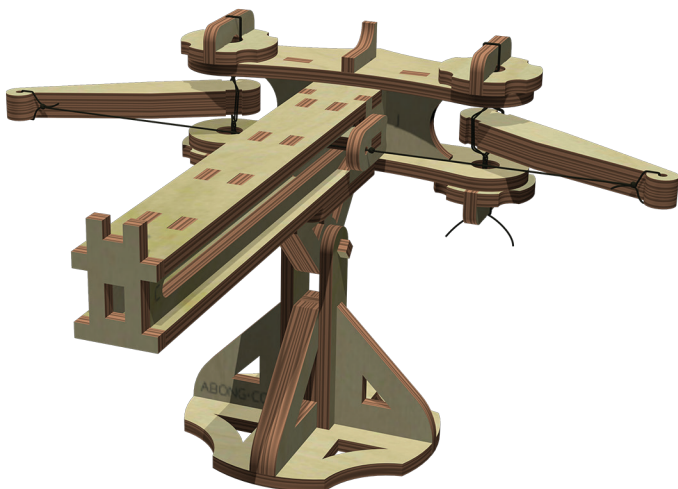
7

Use a cord (the skin) to make two loops around the winders and throwing arm, passing through the holes in the frames. Pull the ends tight, and tie a double knot over the lower winder bar.



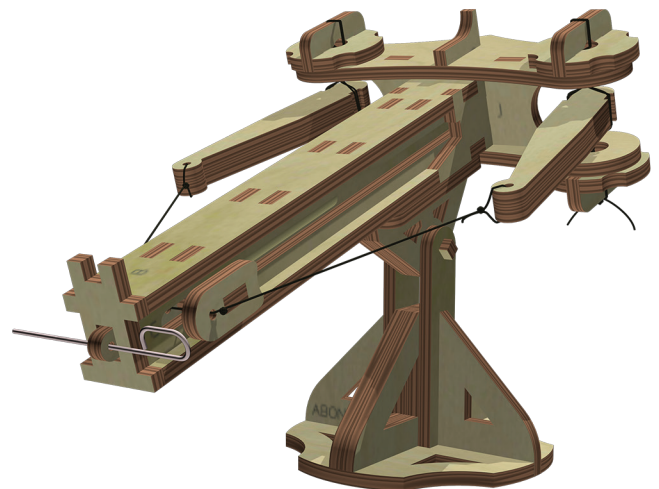
8

Repeat step 7 for the other side. "Sieze" the knots with a drop of glue and trim any excess cord. Rotate each winder one half turn as shown.



9

Tie the ends of the drawstring to the throwing arms, forming a straight line from one end through the guide to the other end. "Sieze" the knots with a drop of glue and trim any excess cord.



10

Load the ammo through the muzzle, and use a straightened paper clip for the trigger.