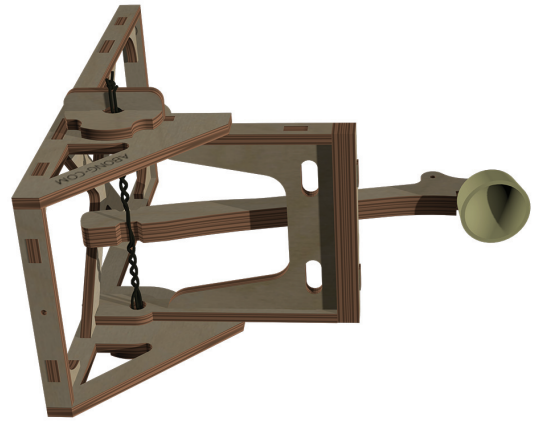


MADE IN CANADA



Difficulty Rating

You will need:
Sandpaper
Scissors
Glue



STEP BY STEP BUILD
VIDEO AVAILABLE AT
ABONG.COM

Manufactured By:
ABONG, Incorporated
5-775 Woodlawn Road W
Guelph, ON N1K 1Y7

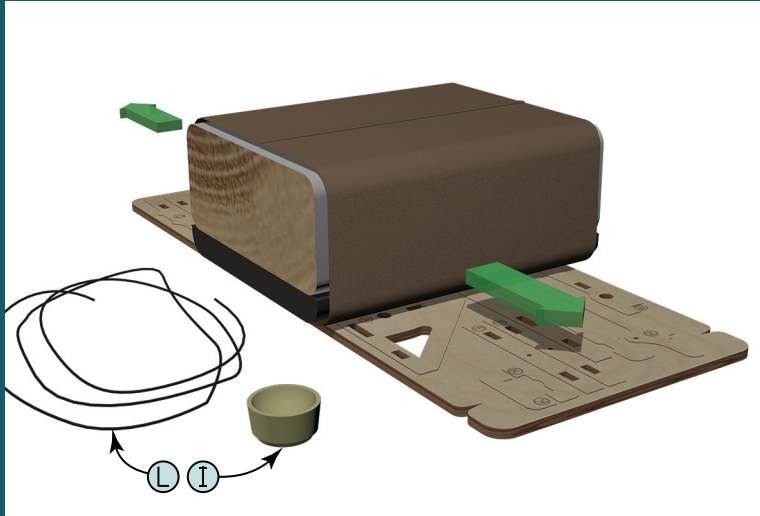


WARNING!
CHOKING HAZARD - CONTAINS
SMALL PARTS. NOT RECOMMENDED
FOR CHILDREN UNDER 3 YEARS

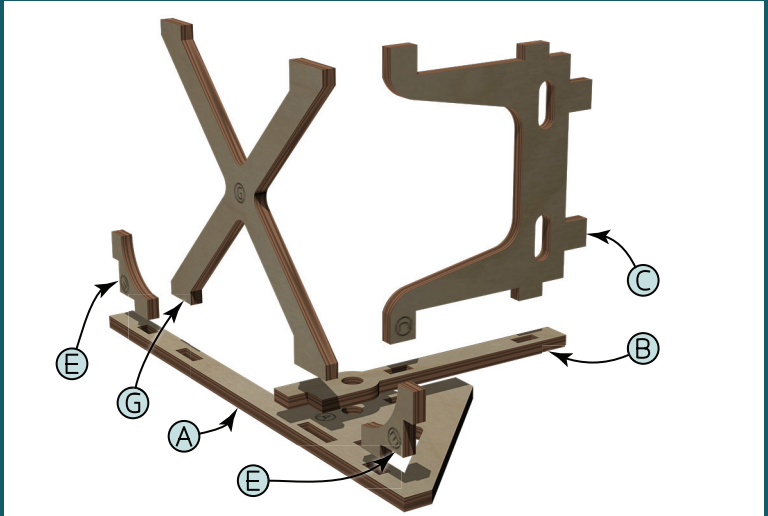
RECOMMENDED FOR AGES



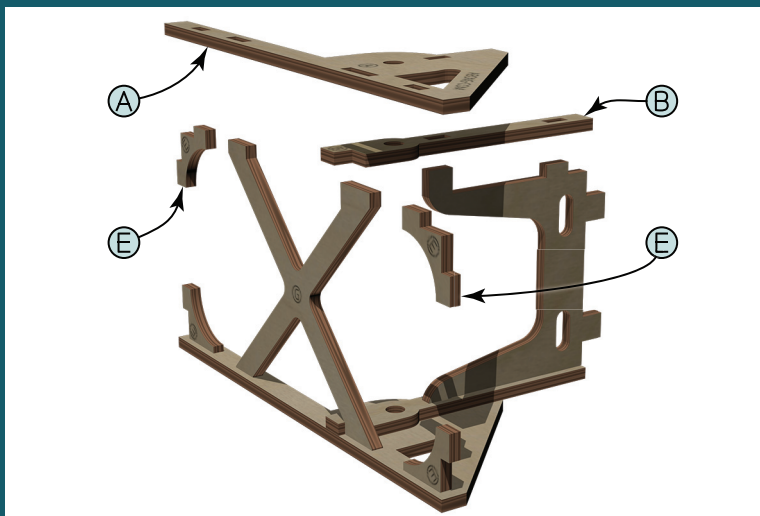
MINI CATAPULT



1 Remove and set aside the Catapult Bowl (I) and the Cord (L). Sand both sides of the carrier board first with 150 grit and then 220 grit sandpaper.



2 Glue two Corner Braces (E) and the Cross Brace (G) to a Side Frame (A). Glue the Gantry Brace (C) to an Upright (B) as shown. Glue the upright to the Side Frame (A)

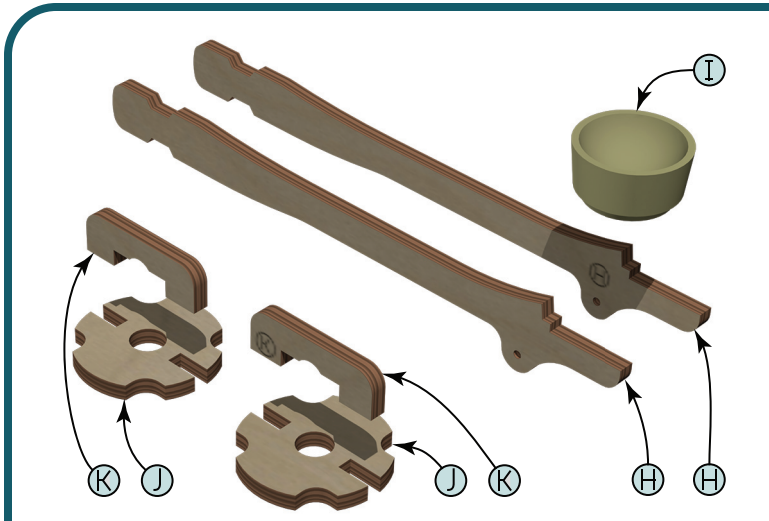


3 Glue the second Upright (B) to the Gantry Brace (C). Glue two Corner Braces (E) to the other Side Frame (A). Glue the second Side Frame (A) to the Upright (B) and the Cross Brace (G).

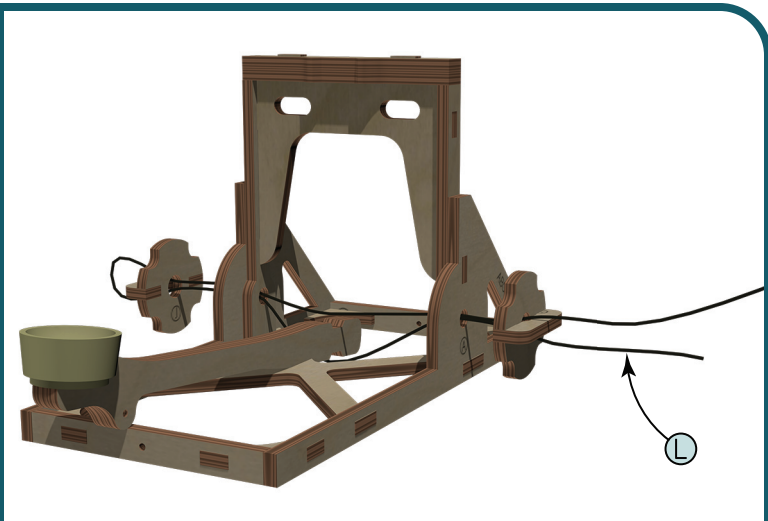


4 Glue the End Frames (F) to the Corner Braces (E), and the Crash Bar Halves (D) to the top of the Gantry Brace (C).

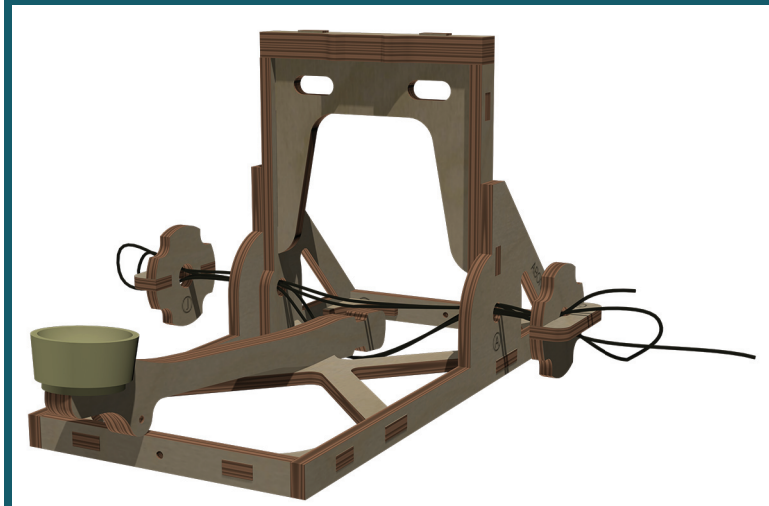




5 Glue a Winder Bar (K) to each Winder Plate (J). Glue the two halves of the Throwing Arm (H) together. Sand the area of the throwing arm where the Bowl (I) will be attached and then glue it in place.



6 Loop the Cord (L) through the winders, catapult frame, and around the throwing arm as shown.



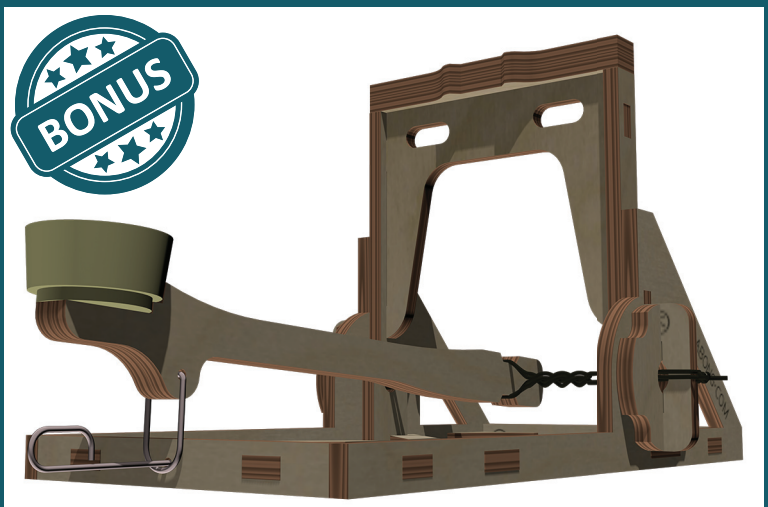
7 Create a second loop as shown. Ensure the loose ends are on opposite sides of the winder bar.



8 Pull the cord tight and tie the ends into a knot. "Sieze" the knot by applying a drop of glue and trim any extra cord with scissors.



9 Power up the catapult by turning the winders two and a half turns as shown.



10 Visit ABONG.COM for bonus instructions on how to create a trigger from a paperclip!

