



# BLUGARDA



## BluPressure

PRESSURE FILTER

DRUKFILTER

DRUCKFILTER

FILTRE À PRESSION

# LANGUAGES

---

**English . . . . . 4**

**Nederlands . . . . . 14**

**Deutsch . . . . . 24**

**Français . . . . . 35**

# ABOUT **BLUGARDA**

## **Over 30 years of experience in pond equipment**

With over 30 years of experience, we know all about pond equipment. Our mission is to help pond lovers with buying the best equipment for their pond in the most sustainable way possible. We trust in the quality of our products and give 3 year warranty\* on all our pond products.

## **Enjoying your pond**

A pond is to be enjoyed. Let us help you with the difficulties of the technical systems around your pond, so you have more time to enjoy your pond with its beautiful fish and plants. No more worries.

## **From starter to professional**

Starting a pond and taking care of it can be complicated at first. There are many factors to take into account. We help you with making the right choices for your pond in terms of setup, equipment and maintenance. We will help you with all the answers regarding your pond. From small to large ponds. From starter to professional.

Want to know more or get in touch? Visit [www.BluGarda.shop](http://www.BluGarda.shop).



**Reliable & easy to  
use products**



**Quick delivery &  
service**



**Customer service  
available to help**

# TABLE OF CONTENTS

---

<b>1. Unboxing</b>	<b>5</b>
1.A Contents	5
1.B Checking technical data	5
1.C Technical data	5
1.D Application	6
<b>2. Safety</b>	<b>6</b>
<b>3. Operation of the pressure filter</b>	<b>7</b>
<b>4. Installing the pressure filter</b>	<b>8</b>
4.A Placing the filter	8
4.B Connecting pond hoses to the filter	8
4.C Starting up the pressure filter	8
4.D Proper operation of the pressure filter	8
<b>5. Maintenance</b>	<b>9</b>
5.A Periodic cleaning of filter with rotary handle	9
5.B Complete cleaning of the filter sponges	9
5.C Replacing the filter sponges	10
5.D Disassembling and cleaning the UV-c device	10
<b>6. Winter preparations</b>	<b>11</b>
<b>7. Troubleshooting</b>	<b>11</b>
<b>8. Parts</b>	<b>12</b>
<b>9. Warranty conditions</b>	<b>13</b>
9.A What does the warranty include	13

# 1. UNBOXING



## Getting started!

Check the pressure filter, power cable and plug for possible damage, if so, do not use the unit. Take pictures and contact BluGarda.

## 1.A CONTENTS

1x Pressure filter with 5-metre power cable  
3 set hose couplings  
1x Manual

If everything is fine, follow further instructions in the manual.



**Read the instructions carefully and follow them!**

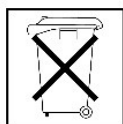
## 1.B CHECKING TECHNICAL DATA

Check the data on the rating plate.

The rating plate lists all important technical data.

<b>Voltage V/Hz</b>	The listed voltage must match the existing house voltage.
<b>Flowadvise max</b>	Maximum flow-through capacity pressure filter.
<b>UV-C lamp W</b>	Wattage/power of UV-C lamp.
<b>IP 44</b>	Protection code; the filter is splash-proof
<b>Max 0.3 Bar</b>	Maximum pressure in Bar.
<b>T.max</b>	Maximum temperature for the filter.
<b>CE</b>	The sign indicates that the product complies with European legislation.

EN



Defective electrical appliances that have been used in the household should be disposed of according to EU directives. This product should not be disposed of with normal household waste but should be collected separately.

More information on local waste collection points can be found at your hometown council.

## 1.C TECHNICAL DATA

Type	Voltage	Power UV-C lamp/type	Cable	Filter volume	Maximum throughput
	V/Hz	Watt	Meter	Litres	Litres/hour
<b>BGPF-6000</b>	220-240/50	11 Watt/PL	5	16	6.000
<b>BGPF-8000</b>	220-240/50	11 Watt/PL	5	20	8.000
<b>BGPF-10000</b>	220-240/50	18 Watt/PL	5	25	10.000

## 1.D APPLICATION

This product is only suitable for freshwater with a water temperature of +4°C to +35°C, in ponds and water features. Not suitable for sea (salt) water and/or liquids to which the product is not resistant (e.g. chemical liquids).

The BGPF pressure filters are for cleaning pond water with or without ornamental fish (no koi) and are installed outside the pond.

## 2. SAFETY



**Caution! The use of this filter is only permitted if the existing electrical installation complies with legal standards.**

The filter must never be in operation when there are people in the water! (Disconnect filter from mains).

The filter should only be connected to an installation with a residual current device (30mA) and an earthed socket.

The socket should be placed in a moisture-free place, at least 2 metres from the water's edge.

The filter is equipped with a built-in UV-C lamp: UV-C radiation is harmful to eyes and skin: Avoid direct contact with the lamp. It should only be in operation when the lamp is inserted in the housing and set up in the pond.

EN



**If in doubt, consult a competent installer.**

Persons, who cannot follow these instructions, must not use the filter!

This device is not intended for use by persons and children with physical, sensory or mental impairment, or lack of experience and/or knowledge.

Unless they are accompanied by a person responsible for their safety, or by being instructed how to use the device.

Care must be taken to ensure that children cannot play with the device.

When doing any work on the filter and/or pond or other system, with which the filter is connected, first remove the mains plug of the filter from the socket and any other devices that are connected.

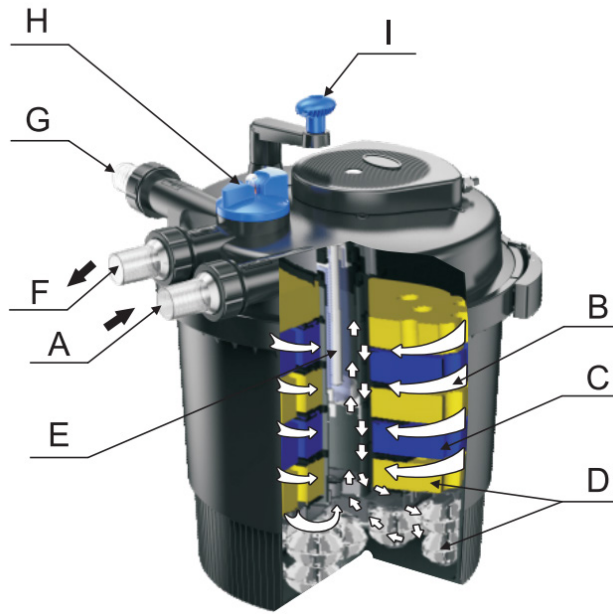
Keep the plug free of moisture. To prevent water from running through the cord to the plug, form a loop.

Before operating the filter, examine the power cord and plug for damage.

If the power cord, filter, UV-C lamp are damaged, the filter should no longer be used.

Never move or hang the filter by the power cord.

### 3. OPERATION OF THE PRESSURE FILTER



<b>A</b>	<b>Water input</b>	The pond pump is connected with a pond hose to the water inlet of the pressure filter, use as large a hose diameter as possible to keep resistances as low as possible.
<b>B</b>	<b>Vortex operation</b>	Gravity and vortex flow separate suspended particles and water.
<b>C</b>	<b>Mechanical filtering</b>	Filter sponges ensure that solid particles are separated from the water.
<b>D</b>	<b>Biological filtration</b>	The holes in the sponges through which the water flows form a large surface area where micro-organisms can attach. These ensure good filtration of the water. The yellow and blue sponges have different flow volumes. The blue sponge has a fast flow rate, where micro-organisms mainly grow, supporting the nitrification process (ammonia to nitrite). The yellow sponge has a slower flow rate, where microorganisms that support the de-nitrification process (nitrite to nitrate) mainly grow. Both are essential for good pond water filtration.
<b>E</b>	<b>Algae destruction</b>	Water is briefly exposed to UV-C light at the return flow. This destroys micro-organisms such as bacteria and algae. This ensures healthier and clearer pond water.
<b>F</b>	<b>Return water connection</b>	The water is returned to the pond via the water outlet to, for example, a waterfall or watercourse.
<b>G</b>	<b>Drainage</b>	Dirty water outlet. During cleaning of the filter material, dirty water is discharged to the sewer or garden via this outlet.
<b>H</b>	<b>Function switch</b>	Functions: Filter mode ("filter") and cleaning ("clean") of the filter.
<b>I</b>	<b>Cleaning handle</b>	When the function switch is set to clean, the sponges can be cleaned by turning the handle. Turn the function switch back to filter ("filter"), after the sponges are cleaned and clear water flows from the drain connection.

## 4. INSTALLING THE PRESSURE FILTER



***The filter should never be operated without water, as this may cause damage to the device.***

### 4.A PLACING THE FILTER

1. When installed outdoors, protect the filter from direct sunlight and rain. Ensure that the filter cannot fall into the pond. Place the filter at least 2 metres from the pond edge. The filter may be partially buried in the earth, up to the underside of the lid.
2. Ensure that the filter cover is always easily accessible for cleaning and maintenance. Protect the filter from direct rain and sunlight.
3. Installation in an enclosed area near the pond, protected from sunlight, rain and frost is preferred.
4. Do not place the pressure filter too high above the water surface. The head from pump to filter leads to loss of pump capacity.
5. CAUTION : The return hose from the filter to the pond/waterfall must never be higher than max. 1.0 m above the filter. At higher water lift, seals in the filter may leak due to excessive pressure and damage electrical components.

### 4.B CONNECTING POND HOSES TO THE FILTER

1. Lubricate the ends of the pond hose with warm water. This will make it easier to fit them onto the hose couplings.
2. Attach the largest possible diameter hose to the hose coupling provided, on both input and output. This prevents loss of capacity of the pump. Fit a hose to the waste discharge connection that runs to the garden or drain.
3. Cut the supplied hose grommets to the required size
4. Use hose clamps to secure the hoses watertight to the hose couplings

### 4.C STARTING UP THE PRESSURE FILTER

When starting up the pressure filter, always check that the hoses and hose clamps are properly connected. The function switch should be in the "filter" position.

1. First switch on only the pond pump. Please note: The UV-C lamp of the pressure filter should not be connected to the mains when no water is flowing through the pressure filter.
2. Next, check the pressure filter and connections for leaks.
3. When everything is working, connect the pressure filter to the mains.

### 4.D PROPER OPERATION OF THE PRESSURE FILTER

1. The filter with UV-C lamp and pump must be in continuous operation to maintain good filter performance.
2. The performance of a UV-C lamp decreases over time. Replace the UV-C lamp after 8,000 operating hours and in any case after each season.
3. It is important to clean the filter material regularly, depending on the pollution in the pond. It's better to clean briefly every week, than just occasionally. Heavily soiled filter sponges significantly reduce filter performance and wear out faster.



## 5. MAINTENANCE



### **Observe safety regulations**

The pressure filter is low-maintenance, but not maintenance-free!

To extend the life of the filter and ensure trouble-free operation, we recommend regular maintenance and cleaning. By just doing a few things, any person can perform the maintenance work without any problems.

### 5.A PERIODIC CLEANING OF FILTER WITH ROTARY HANDLE

The filter sponges become saturated over time, performance and effectiveness decrease. Clean the filter sponges regularly (depending on the contamination, e.g. weekly) to keep them working optimally.

1. Switch off the filter's pump and UV-C.
2. Set the function switch (H) to clean("clean").
3. Close the valve of the return hose(F).
4. Open the tap of the dirty water hose(G).
5. Now only switch on the pump to flush the filter.
6. Turn the cleaning lever (I). The cleaning mechanism pushes the filter sponge inwards so that dirt is rinsed out.
7. The filter is now being cleaned. Contaminated water is now drained off. As soon as clear pond water becomes visible through the transparent connection, cleaning is complete.
8. Switch the pump off again.
9. Open the tap of the return hose (F) and close the tap of the dirty water hose (G).
10. Reset the function switch from "clean" to the "filter" position.
11. Switch the pump on again.
12. The filter material is now cleaned. Check that water comes out of the pressure filter again.
13. Now switch on the filter's UV-C device again.

Brief cleaning every week is best, depending on the contamination in the pond.

### 5.B COMPLETE CLEANING OF THE FILTER SPONGES



**Note: Never use chemical cleaners to clean the filter sponges or the filter. This kills the built-up biomass in the sponges.**

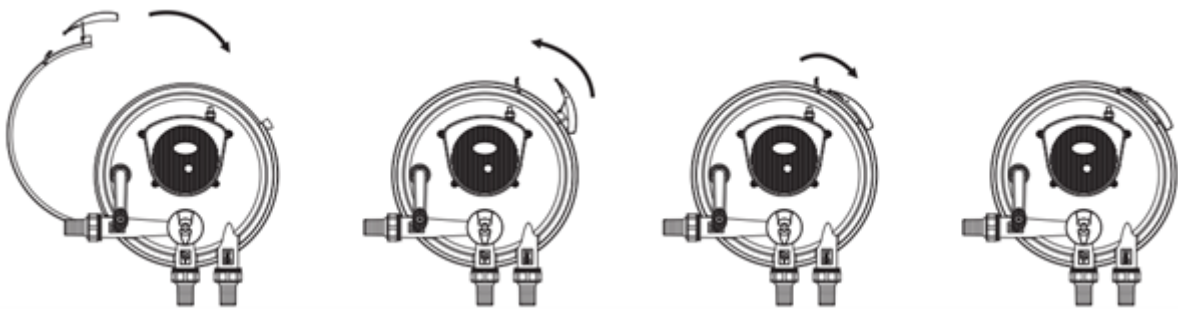
If the water capacity decreases and the cleaning function does not improve this, the filter sponges should be manually cleaned, or completely replaced.

1. Switch off the filter by unplugging it.
2. Switch off the pond pump.
3. Disconnect all pond hoses from the pressure filter.
4. Open the housing clamp (12).
5. Remove the filter cover with the filter sponges (7) from the pressure filter, drain it. Caution!: the filter package may be heavy at high pollution levels. Place the lid with the filter pack facing upwards on a clean surface.
6. Turn the UV-C tube cap (10) counterclockwise and remove it from the UV-C tube.
7. Unscrew the screw (15) from the pivot rod (18).
8. Remove the partition plate (9)
9. Remove the filter sponges and clean them under running water and squeeze them well.
10. Also clean the pressure filter on the inside.

11. The largest filter model is equipped with a basket with bio-balls, take it out of the filter tank and rinse it with clean tap or pond water and place it back in the tank.
12. Fit the filter pack as described below.

## 5.C REPLACING THE FILTER SPONGES

1. Place yellow and blue sponges alternately on the UV-C tube and fit the separator plate (9) and mount the turning rod.
2. Mount the UV-C tube head clockwise on the UV-C tube.
3. Place the filter tank O-ring back on the tank, this should be done with some care.
4. Place the filter cover with foam pack straight back into the tank.
5. Fit the clamping ring and then clamp it shut.
6. Then reinstall all hoses on the filter.
7. Operate the pump and check that everything is watertight.
8. Then operate the UV-C device.



EN

## 5.D DISASSEMBLING AND CLEANING THE UV-C DEVICE

Pond water flows past the quartz glass in the housing, causing (scale) deposits on the glass after some time. UV-C light will therefore not reach the flowing water as well, reducing its effect. Periodically clean the quartz glass together with the filter material.



**Avoid direct contact with the lamp: hold UV-C lamp with a cloth**

1. Switch off the UV-C and pump.
2. Remove the four screws from the lid.
3. Take the UV-C holder with tube straight out the unit.
4. Clean the quartz glass with a damp cloth, avoid scratches.
5. Check for any damage or breaks in the quartz glass.
6. Replace if necessary.
7. Push the UV-C holder back into the filter cover

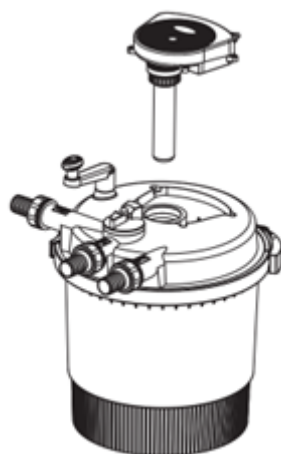


**Inserting the UV-C holder back into the lid may be met with some resistance. Pressing too hard may cause damage!**

Smear some petroleum jelly on the inside of the UV-C holder's housing to make replacing the UV-C holder easier.

### Replacing the UV-C lamp and quartz glass

1. Unscrew the swivel (6) on the quartz glass.
2. Take out the quartz glass tube and replace the UV-C lamp.
3. Check the quartz glass, replace it if broken or damaged.
4. Assemble all parts back together
5. Check the O-ring of the quartz glass, it should not be damaged. Clean it with a damp cloth.
6. Replace the UV-C holder as described in section 7 chapter 3.2.



## 6. WINTER PREPARATIONS

When approaching (persistent frost), disconnect the filter, remove water and clean as described in these instructions. Store dry and frost-free.

Freezing can cause irreparable damage to the filter.

## 7. TROUBLESHOOTING



**Observe safety instructions**

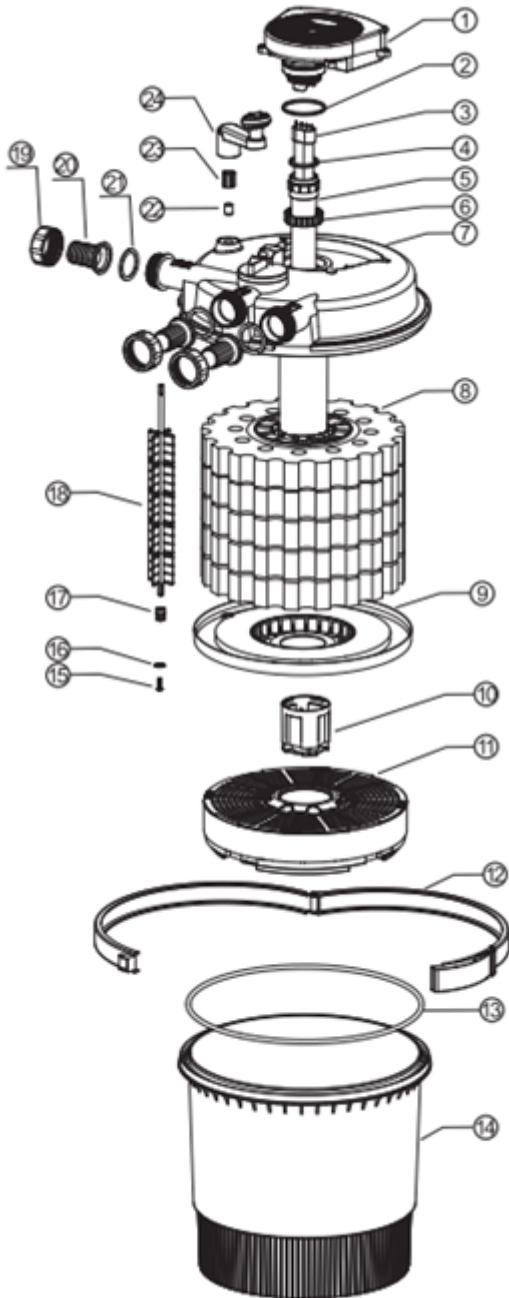
EN

Problem	Cause	Solution
<b>UV-C indicator light is not on</b>	Pressure filter plug not in socket	Switch on the pressure filter by plugging it into the socket
	UV-C lamp is broken	Replace the UV-C lamp
	Connection of lamp wrong	Check that lamp is properly connected in the holder
<b>Water does not get clean</b>	Filter has not been on for a long time	The filter effect is optimal after a period of 1 to 2 weeks.
	Low pressure on water input	Reconnect or replace the pump, or the pump capacity is too low in relation to filter/pond capacity.
	Water is too polluted	Remove algae and leaves from the pond and/or change water
	Filter sponge is contaminated	Clean the filter sponge
	Quartz glass of the UV-C is dirty	Clean the quartz glass
<b>No water from filter</b>	Function button is set to 'clean'	Set the function button to 'filter'
	Pump plug not in socket	Plug in the pump
	Vijverpomp defect of ernstig vervuild	Controleer pomp

Can't solve the problem yourself? Please contact our customer service, we will be happy to help. [www.BluGarda.shop](http://www.BluGarda.shop)

## 8. PARTS

With proper use and maintenance, you will enjoy this product for a long time, yet it may happen that you need a part. BluGarda believes that supplying parts is important to get your product back in working order.



1	UV-C holder
2	O-ring cover
3	UV-C lamp
4	O-ring quartz glass
5	Quartz glass
6	Swivel quartz glass
7	Filter cover
8	Sponge
9	Partition plate
10	UV-C spray hood
11	Filter basket
12	Housing clamp
13	O-ring filter tank
14	Filter tank
15	Screw
16	Padding ring
17	Bearing
18	Rotary handle
19	In/out gland
20	Input/output hose grommet
21	Sealing ring
22	Bearing
23	Clutch rotary lever
24	Cleaning lever

## 9. WARRANTY CONDITIONS

The filter is covered by a 36-month warranty, effective from the time of purchase. The date on the purchase invoice is the effective date. Keep the invoice, you will need it if you want to claim warranty.

### 9.A WHAT DOES THE WARRANTY INCLUDE

We grant a warranty on material and/or construction faults, defective parts will be repaired or replaced free of charge within the warranty period.

Natural wear and tear on filter sponges, UV-C lamp and quartz glass are not covered by the warranty.

During a warranty assessment, we check whether your product has been properly maintained. If there is poor maintenance, scaling, damage caused by improper use, damage to the power cable, we have the right to exclude warranty claims. In that case, a cost proposal will follow to repair or replace the filter.

Changes to the filter, such as shortening the power cable or cutting the plug, will void the warranty claim.

Consequential damage caused by failure or misuse of the filter is beyond BluGarda's liability.

Misprints and technical changes reserved.



This product complies with the LVD Directive (2014/35/EU) and EMC Directive (2014/30/EU), and we declare compliance with the following standard(s):

LVD	EN60335-1: 2012+A11+A13 EN60335-2-109:2010 EN62233:2008
-----	---

EN

# INHOUDSOPGAVE

---

<b>1. Uitpakken</b>	<b>15</b>
1.A Inhoud	15
1.B Technische gegevens controleren	15
1.C Technische gegevens	15
1.D Toepassing	16
<b>2. Veiligheid</b>	<b>16</b>
<b>3. De werking van het drukfilter</b>	<b>17</b>
<b>4. Installeren van het drukfilter</b>	<b>18</b>
4.A Plaatsen van het filter	18
4.B Verbinden van vijverslangen aan het filter	18
4.C Opstarten van het drukfilter	18
4.D Goede werking van het drukfilter	18
<b>5. Onderhoud</b>	<b>19</b>
5.A Periodiek reinigen filter met draaihendel	19
5.B Geheel reinigen van de filtersponzen	19
5.C Vervangen van de filtersponzen	20
5.D UV-c apparaat demonteren en reinigen	20
<b>6. Kleine storingen zelf verhelpen</b>	<b>21</b>
<b>7. Onderdelen</b>	<b>22</b>
<b>8. Garantievoorwaarden</b>	<b>23</b>
8.A Wat houdt garantie in	23

# 1. UITPAKKEN



**Aan de slag!**

Controleer het drukfilter, de stroomkabel en de stekker op mogelijke beschadigingen, mocht dat het geval zijn, neem het apparaat dan niet in gebruik. Maak foto's en neem contact op met BluGarda.

## 1.A INHOUD

1x Drukfilter met 5 meter stroomkabel  
3 set slangkoppelingen  
1x Handleiding

Als alles in orde is, volg dan de verdere instructies van de handleiding.



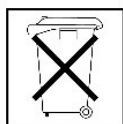
**Lees deze voorschriften aandachtig door en volg ze op!**

## 1.B TECHNISCHE GEGEVENS CONTROLEREN

Controleer de gegevens op het typeplaatje.

Het typeplaatje vermeldt alle belangrijke technische gegevens.

<b>Spanning V/Hz</b>	De vermelde spanning moet overeenkomen met de aanwezige huisspanning.
<b>Flowadvise max</b>	Maximale doorstroomcapaciteit drukfilter.
<b>UV-c lamp W</b>	Wattage/vermogen van de UV-c lamp.
<b>IP 44</b>	Protectiecode; het filter is spatwaterdicht
<b>Max Bar</b>	Maximale druk in Bar.
<b>T.max</b>	Maximale temperatuur voor het filter.
<b>CE</b>	Het teken geeft aan dat het product in overeenstemming is met de Europese wetgeving.



Defecte elektrische apparaten die in het huishouden zijn gebruikt, dienen volgens EU-richtlijnen verwijderd te worden. Dit product mag niet met het normale huisvuil worden afgevoerd, maar dient apart te worden verzameld.

Meer informatie over lokale afvalverzamelpunten vind je bij de gemeente van je woonplaats.

## 1.C TECHNISCHE GEGEVENS

Model	Spanning	Vermogen UV-c lamp/ type	Kabel	Filter volume	Max. doorstroom capaciteit
	V/Hz	Watt	Meter	Liter	liter/uur
<b>BGPF-6000</b>	220-240/50	11 Watt/PL	5	16	6.000
<b>BGPF-8000</b>	220-240/50	11 Watt/PL	5	20	8.000
<b>BGPF-10000</b>	220-240/50	18 Watt/PL	5	25	10.000

NL

## 1.D TOEPASSING

Dit product is uitsluitend geschikt voor zoet water met een watertemperatuur van +4°C tot +35°C, in vijvers en waterpartijen. Niet geschikt voor zee(zout) water en/of vloeistoffen waartegen het product niet bestand is (b.v. chemische vloeistoffen).

De BGPF drukfilters zijn voor reiniging van vijverwater met of zonder siervissen (geen koi) en worden buiten de vijver opgesteld.

## 2. VEILIGHEID



**Let op! Het gebruik van dit filter is alleen toegestaan als de aanwezige elektrische installatie voldoet aan de wettelijke normen.**

Het filter mag nooit in werking zijn, wanneer zich personen in het water bevinden! (filter van het stroomnet scheiden).

Het filter mag alleen aangesloten worden op een installatie met een aardlekschakelaar (30mA) en een contactdoos met randaarde.

De contactdoos dient op een vochtvrije plaats, minstens 2 meter van de rand van het water geplaatst te zijn.

Het filter is voorzien van een ingebouwde UV-c lamp: UV-c straling is schadelijk voor ogen en huid: Vermijd direct contact met de lamp. Deze mag uitsluitend in gebruik zijn als de lamp in de behuizing is geplaatst en in de vijver opgesteld staat.

NL



**Bij twijfel een vakkundige installateur raadplegen.**

Personen, die deze handleiding niet kunnen opvolgen, mogen de pomp niet gebruiken!

Personen, die deze handleiding niet kunnen opvolgen, mogen het filter niet gebruiken!

Dit apparaat is niet bestemd voor gebruik door personen en kinderen met een lichamelijke, zintuiglijke of geestelijke vermogensbeperking, of gebrek aan ervaring en/of kennis.

Tenzij ze worden begeleid door een persoon die verantwoordelijk is voor hun veiligheid, of door het krijgen van een instructie hoe het apparaat te gebruiken.

Er moet op worden toegezien dat kinderen niet met het apparaat kunnen spelen.

Bij alle werkzaamheden aan het filter en/of vijver of ander systeem, waarmee het filter in verbinding staat, dient eerst de netstekker van het filter uit de contactdoos genomen te worden en eventueel andere apparaten die aangekoppeld zijn.

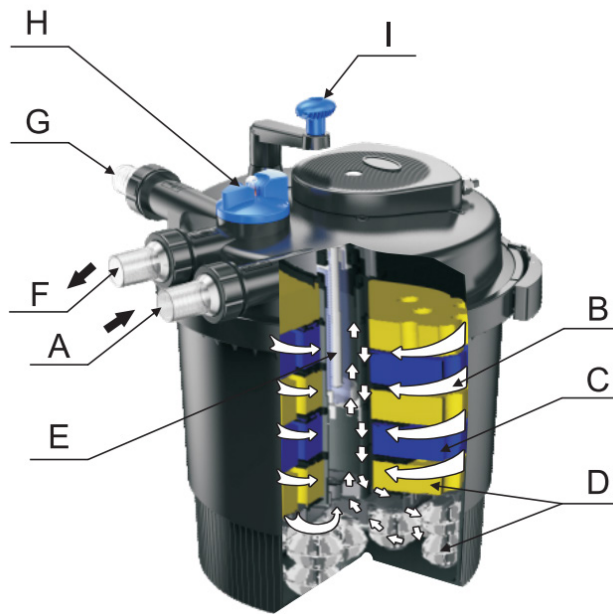
Houdt de stekker vrij van vocht. Om te voorkomen dat water via het snoer naar de stekker loopt, moet er een lus gevormd worden.

Voordat het filter in gebruik wordt genomen, eerst het netsnoer en de stekker onderzoeken beschadigingen. Bij beschadiging van het netsnoer, filter, UV-c lamp, mag het filter niet meer gebruikt worden.

Verplaats of hang het filter nooit op aan het netsnoer.



### 3. DE WERKING VAN HET DRUKFILTER



<b>A</b>	<b>Water invoer</b>	De vijverpomp wordt met een vijverslang verbonden aan de waterinvoer van het drukfilter, gebruik een zo groot mogelijke slangdiameter om weerstanden zo laag mogelijk te houden.
<b>B</b>	<b>Vortex werking</b>	Door zwaartekracht en vortex stroom worden zwevende deeltjes en water gescheiden.
<b>C</b>	<b>Mechanisch filteren</b>	Filtersponzen zorgen ervoor dat vaste deeltjes worden gescheiden uit het water.
<b>D</b>	<b>Biologisch filteren</b>	De gaten in de sponzen waar het water doorheen stroomt, vormen een groot oppervlak waar micro-organismen kunnen aanhechten. Deze zorgen voor goede filtering van het water. De gele en blauwe sponzen hebben verschillende doorstroomvolumes. De blauwe spons heeft een snelle stroomsnelheid, hier groeien voornamelijk micro-organismen die het nitrificatie proces ondersteunen (ammoniak naar nitriet). De gele spons heeft een langzamere stroomsnelheid, hier groeien voornamelijk micro-organismen die het de-nitrificatieproces ondersteunen (nitriet naar nitraat). Beiden zijn essentieel voor goede filtering van vijverwater.
<b>E</b>	<b>Algen-vernietigen</b>	Water wordt bij de retourstroom kort blootgesteld aan UV-c licht. Hiermee worden micro-organismen zoals bacteriën en algen mee vernietigd. Dit zorgt voor gezonder en helderder vijverwater.
<b>F</b>	<b>Aansluiting retourwater</b>	Het water wordt via de wateruitvoer teruggebracht naar de vijver naar bijvoorbeeld een waterval of beekloop.
<b>G</b>	<b>Vuilwaterafvoer</b>	Afvoer vuil water. Tijdens reiniging van het filtermateriaal wordt het vervuilde water via deze uitvoer naar het riool of tuin afgevoerd.
<b>H</b>	<b>Functie-schakelaar</b>	Functies: Filterstand ("filter") en schoonmaken ("clean") van het filter.
<b>I</b>	<b>Reinigingshendel</b>	Wanneer de functie schakelaar op reinigen is gezet, kunnen de sponzen worden gereinigd door de handel te draaien. Zet de functie schakelaar terug naar filteren ("filter"), nadat de sponzen gereinigd zijn en er helder water stroomt uit de afvoeraansluiting.

## 4. INSTALLEREN VAN HET DRUKFILTER



**Het filter mag nooit zonder water in werking zijn, beschadiging is niet uit te sluiten.**

### 4.A PLAATSEN VAN HET FILTER

1. Bij buitenopstelling het filter beschermen tegen direct zonlicht en regen. Zorg ervoor dat het filter niet in de vijver kan vallen. Plaats het filter ten minste 2 meter vanaf de vijverrand.
2. Het filter mag gedeeltelijk ingegraven worden in de aarde, tot aan onderzijde van het deksel. Zorg dat het filterdeksel altijd gemakkelijk bereikbaar is, om reinigen en onderhoud uit te kunnen voeren. Het filter beschermen tegen direct invallende regen en zonlicht.
3. Opstelling in een afgesloten ruimte in de nabijheid van de vijver, beschermd tegen zonlicht, regen en vorst heeft de voorkeur.
4. Plaats het drukfilter niet te hoog boven het wateroppervlak. De opvoerhoogte vanaf pomp naar het filter leidt tot capaciteitsverlies van de pomp.
5. LET OP: De retourslang vanaf het filter naar de vijver/waterval mag nooit hoger uitkomen als max. 1,0 meter boven het filter. Bij hogere opvoerhoogte van het water kunnen afdichtingen in het filter door te hoog oplopende druk gaan lekken en schade ontstaan aan elektrische delen.

### 4.B VERBINDEN VAN VIJVERSLANGEN AAN HET FILTER

1. Maak de uiteinden van de vijverslang soepel met warm water. Dit maakt het gemakkelijker om ze op de slangkoppelingen te plaatsen.
2. Bevestig de grootst mogelijke diameter slang op de meegeleverde slangkoppeling, op zowel de invoer als uitvoer. Dit voorkomt capaciteitsverlies van de pomp. Plaats aan de vuilafvoeraansluiting een slang die naar de tuin of afvoerputje loopt.
3. De meegeleverde slangtules op de gewenste maat afzagen.
4. Gebruik slangklemmen om de slangen waterdicht vast te kunnen klemmen op de slangkoppelingen.

### 4.C OPSTARTEN VAN HET DRUKFILTER

Controleer bij het opstarten van het drukfilter altijd of de slangen en slangklemmen goed aangesloten zijn. De functieschakelaar moet in de stand "filter" staan.

1. Schakel eerst alleen de vijverpomp in. Let op: de UV-c lamp van het drukfilter mag niet aangesloten zijn op het stroomnet als er geen water door het drukfilter stroomt.
2. Controleer vervolgens het drukfilter en verbindingen op lekkage.
3. Als alles werkt, verbindt dan het drukfilter op de netstroom.

### 4.D GOEDE WERKING VAN HET DRUKFILTER

1. Het filter met UV-c lamp en de pomp moeten continu in werking zijn om een goede filterwerking te behouden.
2. De werking van een UV-c lamp neemt na verloop van tijd af. Vervang de UV-c lamp na 8.000 branduren en in elk geval na elk seizoen.
3. Het is het belangrijk om het filtermateriaal regelmatig te reinigen, afhankelijk van de vervuiling in de vijver. Beter elke week kortstondig, als af en toe reinigen. Sterk vervuilde filtersponzen verminderen de filterwerking aanzienlijk en verslijten sneller.

## 5. ONDERHOUD



### **De veiligheidsvoorschriften in acht nemen.**

Het drukfilter is onderhoudsarm, maar niet onderhoudsvrij!

Om de levensduur van het filter te verlengen en een probleemloze werking te garanderen, adviseren wij regelmatig onderhoud en reiniging uit te voeren. Met weinig handelingen kan elke persoon het onderhoudswerk probleemloos uitvoeren.

### 5.A PERIODIEK REINIGEN FILTER MET DRAAIHENDEL

De filtersponzen raken na verloop van tijd verzadigd, de werking en effectiviteit verminderen. Reinig de filtersponzen regelmatig (afhankelijk van de vervuiling, bijv. wekelijks), zodat ze optimaal blijven werken.

1. Schakel de pomp en UV-c van het filter uit.
2. Zet de functieschakelaar (H) op reinigen("clean").
3. Sluit de kraan van de retourslang(F).
4. Open de kraan van de vuilwaterslang(G).
5. Schakel nu alleen de pomp, in om het filter te kunnen spoelen.
6. Draai aan de reinigingshendel (I). Het reinigingsmechanisme duwt de filterspons naar binnen zodat vuil wordt uitgespoeld.
7. Het filter wordt nu gereinigd. Vervuild water wordt nu afgevoerd. Zodra er helder vijverwater door de transparante aansluiting zichtbaar wordt, is het reinigen klaar.
8. Schakel de pomp weer uit.
9. Open de kraan van de retourslang (F) en sluit de kraan van de vuilwaterslang (G).
10. Zet de functieschakelaar weer van "clean" naar de "filter" positie.
11. Schakel de pomp weer in.
12. Het filtermateriaal is nu gereinigd. Controleer of er weer water uit het drukfilter komt.
13. Schakel nu het UV-c apparaat van het filter weer in.

Elke week kortstondig reinigen is de beste methodiek, afhankelijk van de vervuiling in de vijver.

### 5.B GEHEEL REINIGEN VAN DE FILTERSPONZEN



### **Let op: gebruik nooit chemische reinigingsmiddelen om de filtersponzen of het filter te reinigen. Dit doodt de opgebouwde biomassa in de sponzen.**

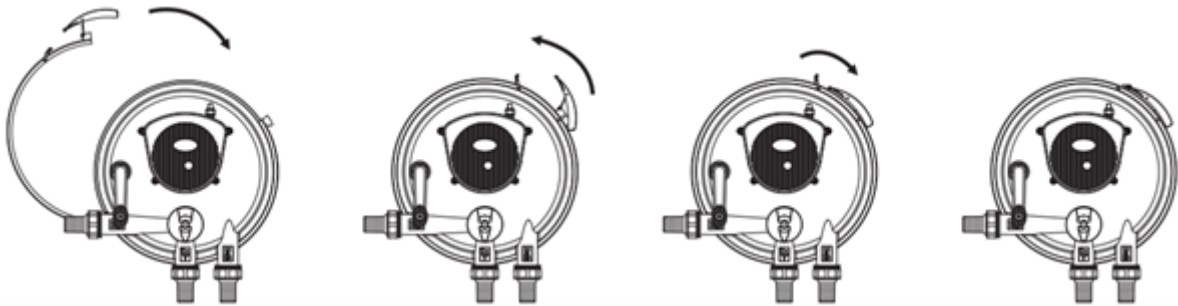
Wanneer de watercapaciteit vermindert en de reinigingsfunctie hieraan geen verbetering brengt, moeten de filtersponzen handmatig gereinigd, of geheel vervangen worden.

1. Schakel het filter uit door de stekker uit het stopcontact te nemen.
2. Schakel de vijverpomp uit.
3. Koppel alle vijverslangen van het drukfilter af.
4. Open de behuizingklem (12).
5. Neem de filterdeksel met de filtersponzen (7) van het drukfilter, laat deze uitlekken. Voorzichtig! het filterpakket kan zwaar wegen bij hoge vervuiling. Leg het deksel met het filterpakket naar boven op een schone ondergrond.
6. Draai de UV-c buiskap (10) tegen de klok in open en neem deze van de UV-cv buis.
7. Draai de schroef (15) van de draaistang (18).
8. Verwijder de scheidingsplaat (9)
9. Verwijder de filtersponzen en maak deze schoon onder stromend water en knijp ze goed uit.

10. Reinig ook het drukfilter aan de binnenzijde.
11. Het grootste filtermodel is voorzien van een korf met bio-ballen, neem deze uit de filtertank en spoel reinig deze met schoon leiding- of vijverwater en plaats weer terug in de tank.
12. Monteer het filterpakket zoals hieronder omschreven.

## 5.C VERVANGEN VAN DE FILTERSPONZEN

1. Plaats gele en blauwe sponzen om en om op de UV-c buis en plaats de scheidingsplaat (9) en monteer de draaistang.
2. Monteer de UV-c buiskop met de klok mee op op de UV-c buis.
3. Plaats de o-ring van de filtertank terug op de tank, dat moet met enige zorg uitgevoerd worden.
4. Plaats het filterdeksel met schuimpakket rechtstandig terug in de tank.
5. Monteer de klemring en klem deze vervolgens dicht.
6. Monteer vervolgens alle slangen weer op het filter.
7. Zet de pomp in werking en controleer of alles waterdicht is.
8. Zet vervolgens het UV-c apparaat in werking.



NL

## 5.D UV-C APPARAAT DEMONTEREN EN REINIGEN

Vijverwater stroomt in de behuizing langs het kwartsglas, waardoor na enige tijd (kalk)aanslag op de het glas ontstaat. UV-c licht zal daarom minder goed het doorstromende water bereiken, waardoor de werking vermindert. Maak het kwartsglas samen met het filtermateriaal periodiek schoon.



**Vermijd handcontact met de lamp: UV-c lamp met een doekje vasthouden**

1. Schakel de UV-c en pomp uit.
2. Verwijder de vier schroeven van het deksel.
3. Neem de UV-c houder met buis rechtstandig het apparaat eruit.
4. Maak het kwartsglas schoon met een vochtige doek, voorkom krassen.
5. Controleer op eventuele schade of breuken in het kwartsglas.
6. Zonodig vervangen.
7. UV-c houder terug drukken in het filterdeksel

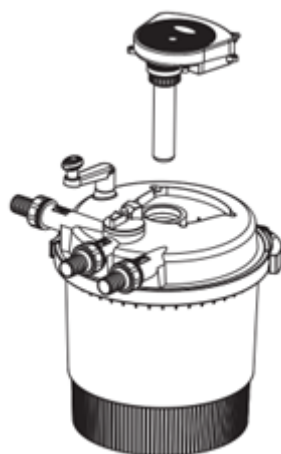


**LET OP! Het terugplaatsen van de UV-c houder in het deksel kan stroef gaan. Te hard drukken kan schade veroorzaken!**

Smeer wat vaseline aan de binnenzijde van de behuizing van de UV-c houder om het terugplaatsen van de UV-c houder gemakkelijk en licht uit te voeren.

### UV-c lamp en kwartsglas vervangen

1. Draai de wartel (6) op het kwartsglas open.
2. Haal de kwartsglas buis eruit en vervang de UV-c lamp.
3. Controleer het kwartsglas, vervang deze als deze gebroken of beschadigd is.
4. Monteer alle onderdelen weer terug in elkaar
5. Controleer de o-ring van het kwartsglas, deze mag niet beschadigd zijn. Reinig deze met een vochtige doek.
6. Plaats de UV-c houder weer terug zoals onder punt 7 hoofdstuk 3.2 omschreven.



## WINTERVOORBEREIDINGEN

Bij naderende (aanhoudende vorst) het filter afkoppelen, water verwijderen en reinigen zoals in deze instructie is omschreven. Droog en vorstvrij opslaan.

Door bevriezing kan onherstelbare schade aan het filter ontstaan.

## 6. KLEINE STORINGEN ZELF VERHELPEN



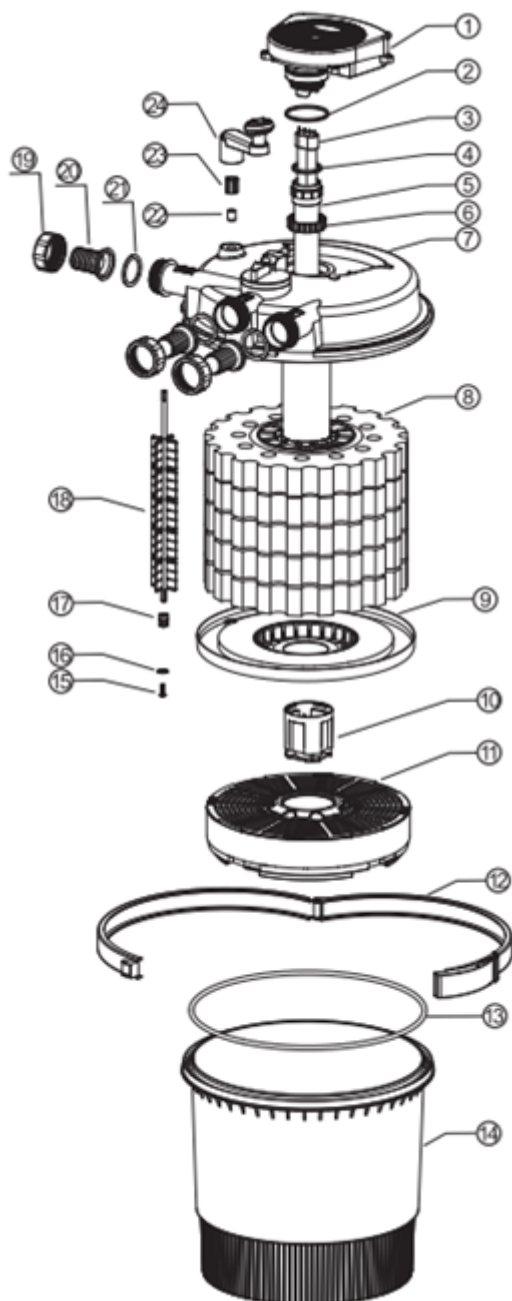
***Veiligheidsvoorschriften in acht nemen!***

NL

Probleem	Oorzaak	Oplossing
<b>UV-c indicatie lampje is niet aan</b>	Stekker van drukfilter niet in stopcontact	Schakel het drukfilter in door de stekker in het stopcontact te steken
	UV-c lamp is stuk	Vervang de UV-c lamp
	Connectie van lamp verkeerd	Controleer of lamp goed in de houder verbonden is
<b>Water wordt niet schoon</b>	Filter heeft lange tijd niet aan gestaan	De filterwerking is na een periode van 1 tot 2 weken optimaal.
	Lage druk op waterinvoer	Sluit de pomp opnieuw aan of vervang de pomp, of de pompcapaciteit is te gering in verhouding met filter/vijverinhoud.
	Water is te verontreinigd	Verwijder algen en bladeren uit de vijver en/of ververs water
	Filter spons is verontreinigd	Maak de filterspons schoon
	Kwartsglas van de UV-c is vervuild	Maak het kwartsglas schoon
<b>Geen water uit filter</b>	Functie knop staat ingesteld op 'clean'	Zet de functieknop op 'filter'
	Stekker van de pomp niet in het stopcontact	Doe de stekker van de pomp in het stopcontact
	Vijverpomp defect of ernstig vervuild	Controleer pomp

Kun je het probleem zelf niet oplossen? Neem contact op met onze helpdesk, we helpen je graag verder. [www.BluGarda.nl](http://www.BluGarda.nl)

## 7. ONDERDELEN



1	UV-c houder
2	O-ring deksel
3	UV-c lamp
4	O-ring kwartsglas
5	Kwartsglas
6	Wartel kwartsglas
7	Filterdeksel
8	Spons
9	Scheidingsplaat
10	UV-c buiskap
11	Filtermand
12	Behuizings klem
13	O-ring filtertank
14	Filtertank
15	Schroef
16	Opvulring
17	Lager
18	Draaistang
19	In/uitvoer wartel
20	Invoer/uitvoerslangtule
21	Afdichtingsring
22	Lager
23	Koppeling draaihendel
24	Reinigingshendel

NL

## 8. GARANTIEVOORWAARDEN

Op het filter wordt 36 maanden garantie verleend, die ingaat op het moment van aankoop. De datum op de aankoopfactuur geldt als ingangsdatum. Bewaar de factuur, je hebt deze nodig als je aanspraak op garantie wilt maken.

### 8.A WAT HOUDT GARANTIE IN

Garantie verlenen we op materiaal en/of constructiefouten, defecte onderdelen worden binnen de garantietermijn kosteloos hersteld of vervangen.

Natuurlijke slijtage aan filtersponzen, UV-c lamp en kwartsglas vallen niet binnen de garantievoorwaarden.

Bij een garantiebeoordeling checken we of je product goed is onderhouden. Als er sprake is van slecht onderhoud, kalkaanslag, schade ontstaan door onjuist gebruik, beschadigingen aan de stroomkabel, hebben we het recht om garantieaanspraak uit te sluiten. In dat geval zal een kostenvoorstel volgen om het filter te repareren of te vervangen.

Bij veranderingen aan het filter, zoals het inkorten van de stroomkabel of het afknippen van de stekker, vervalt de garantieaanspraak.

Gevolgschade ontstaan door het uitvallen of verkeerd gebruiken van het filter valt buiten de aansprakelijkheid van BluGarda.

Drukfouten en technische wijzigingen voorbehouden.



Dit product is in overeenstemming met de LVD-richtlijn (2014/35/EU) en de EMC-richtlijn (2014/30/EU) en wij verklaren dat aan de volgende norm(en) wordt voldaan

LVD	EN60335-1: 2012+A11+A13 EN60335-2-109:2010 EN62233:2008
-----	---

# INHALTSVERZEICHNIS

---

<b>1. Auspacken</b>	<b>25</b>
1.A Inhalt	25
1.B Überprüfung der Technischen Daten	25
1.C Technische Daten	25
1.D Anwendung	26
<b>2. Sicherheit</b>	<b>26</b>
<b>3. Betrieb des Druckfilters</b>	<b>27</b>
<b>4. Installation des Druckfilters</b>	<b>28</b>
4.A Platzieren des Filters	28
4.B Anschluss der Teichschläuche an den Filter	28
4.C Inbetriebnahme des Druckfilters	28
4.D Richtiger Betrieb des Druckfilters	28
<b>5. Wartung</b>	<b>29</b>
5.A Regelmäßige Reinigung des Rotationsfilters	29
5.B Vollständige Reinigung der Filterschwämme	29
5.C Auswechseln der Filterschwämme	30
5.D Zerlegen und Reinigen des UV-C-Geräts	30
<b>6. Wintervorbereitung</b>	<b>31</b>
<b>7. Fehlerbehebung</b>	<b>32</b>
<b>8. Teile</b>	<b>33</b>
<b>9. Garantiebedingungen</b>	<b>34</b>
9.A Was beinhaltet die Garantie	34



# 1. AUSPACKEN



**Los geht's**

Überprüfen Sie den Druckfilter, das Netzkabel und den Stecker auf eventuelle Schäden und verwenden Sie das Gerät nicht. Machen Sie Fotos und kontaktieren Sie BluGarda.

## 1.A INHALT

1x Druckfilter mit 5 Meter langem Netzkabel  
3 Satz Schlauchkupplungen  
1x Handbuch

Wenn alles in Ordnung ist, folgen Sie den weiteren Anweisungen im Handbuch.



**Lesen Sie die Anweisungen sorgfältig und befolgen Sie sie!**

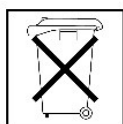
## 1.B ÜBERPRÜFUNG DER TECHNISCHEN DATEN

Prüfen Sie die Daten auf dem Typenschild

Auf dem Typenschild sind alle wichtigen technischen Daten aufgeführt.

<b>Spannung V/Hz</b>	Die angegebene Spannung muss mit der vorhandenen Hausspannung übereinstimmen.
<b>Flowadvise max</b>	Druckfilter mit maximaler Durchflusskapazität.
<b>UV-C-Lampe W</b>	Wattzahl/Leistung der UV-C-Lampe.
<b>IP 44</b>	Schutzcode; der Filter ist spritzwassergeschützt
<b>Maximal Bar</b>	Maximaler Druck in Bar.
<b>T.max</b>	Maximale Temperatur für den Filter.
<b>CE</b>	Das Zeichen weist darauf hin, dass das Produkt der europäischen Gesetzgebung entspricht.

DE



Defekte Elektrogeräte, die im Haushalt verwendet wurden, sollten gemäß den EU-Richtlinien entsorgt werden. Dieses Produkt darf nicht mit dem normalen Hausmüll entsorgt werden, sondern muss separat gesammelt werden.

Weitere Informationen zu den örtlichen Müllsammelstellen finden Sie bei Ihrer Stadtverwaltung.

## 1.C TECHNISCHE DATEN

Typ	Spannung	Leistung UV-C-Lampe/Typ	Kabel	Volumen filtern	Maximaler Durchsatz Kapazität
	V/Hz	Watt	Meter	Liter	Liter/Stunde
<b>BGPF-6000</b>	220-240/50	11 Watt/PL	5	16	6.000
<b>BGPF-8000</b>	220-240/50	11 Watt/PL	5	20	8.000
<b>BGPF-10000</b>	220-240/50	18 Watt/PL	5	25	10.000

## 1.D ANWENDUNG

Dieses Produkt ist nur für Süßwasser mit einer Wassertemperatur von +4°C bis +35°C, in Teichen und Wasserspielen geeignet. Nicht geeignet für Meerwasser (Salz) und/oder Flüssigkeiten, gegen die das Produkt nicht beständig ist (z.B. chemische Flüssigkeiten).

Die BGPF Druckfilter sind für die Reinigung von Teichwasser mit oder ohne Zierfische (keine Kois) und werden außerhalb des Teiches installiert.

## 2. SICHERHEIT



**Vorsicht! Die Verwendung dieses Filters ist nur zulässig, wenn die vorhandene Elektroinstallation den gesetzlichen Normen entspricht.**

Der Filter darf niemals in Betrieb sein, wenn sich Personen im Wasser befinden! (Trennen Sie den Filter vom Netz).

Der Filter sollte nur an eine Anlage mit einem Fehlerstromschutzschalter (30mA) und einer Steckdose mit Schutzleiter angeschlossen werden.

Die Steckdose sollte an einem feuchtigkeitsfreien Ort platziert werden, mindestens 2 Meter vom Wasser entfernt.

Der Filter ist mit einer eingebauten UV-C-Lampe ausgestattet: UV-C-Strahlung ist schädlich für Augen und Haut: Vermeiden Sie den direkten Kontakt mit der Lampe. Sie sollte nur in Betrieb sein, wenn die Lampe in das Gehäuse eingesetzt und im Teich aufgestellt ist.

DE



**Wenden Sie sich im Zweifelsfall an einen kompetenten Installateur.**

Personen, die diese Anweisungen nicht befolgen können, dürfen den Filter nicht verwenden!

Dieses Gerät ist nicht für die Verwendung durch Personen und Kinder mit körperlichen, sensorischen oder geistigen Beeinträchtigungen oder mangelnder Erfahrung und/oder Wissen bestimmt.

Es sei denn, sie werden von einer Person begleitet, die für ihre Sicherheit verantwortlich ist, oder sie werden in die Benutzung des Geräts eingewiesen.

Es muss sichergestellt werden, dass Kinder nicht mit dem Gerät spielen können.

Ziehen Sie bei allen Arbeiten am Filter und/oder Teich oder anderen Systemen, mit denen der Filter verbunden ist, zuerst den Netzstecker des Filters aus der Steckdose und allen anderen angeschlossenen Geräten.

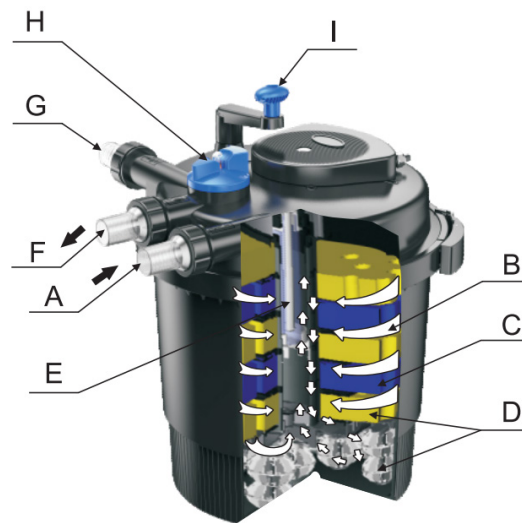
Halten Sie den Stecker frei von Feuchtigkeit. Um zu verhindern, dass Wasser durch das Kabel zum Stecker läuft, bilden Sie eine Schleife.

Bevor Sie den Filter in Betrieb nehmen, überprüfen Sie das Netzkabel und den Stecker auf Schäden.

Wenn das Netzkabel, der Filter oder die UV-C-Lampe beschädigt sind, darf der Filter nicht mehr verwendet werden.

Bewegen Sie den Filter niemals und hängen Sie ihn nicht am Netzkabel auf.

### 3. BETRIEB DES DRUCKFILTERS



<b>A</b>	<b>Wasserzufuhr</b>	Die Teichpumpe wird mit einem Teichschlauch an den Wasserzulauf des Druckfilters angeschlossen. Verwenden Sie einen möglichst großen Schlauchdurchmesser, um die Widerstände so gering wie möglich zu halten.
<b>B</b>	<b>Vortex Betrieb</b>	Schwerkraft und Wirbelströmung trennen Schwebeteilchen und Wasser.
<b>C</b>	<b>Mechanische Filtrierung</b>	Filterschwämme sorgen dafür, dass feste Partikel vom Wasser getrennt werden.
<b>D</b>	<b>Biologische Filtration</b>	Die Löcher in den Schwämmen, durch die das Wasser fließt, bilden eine große Oberfläche, an der sich Mikroorganismen festsetzen können. Diese sorgen für eine gute Filtrierung des Wassers. Die gelben und blauen Schwämme haben unterschiedliche Durchflussmengen. Der blaue Schwamm hat eine schnelle Fließgeschwindigkeit. Hier wachsen hauptsächlich Mikroorganismen, die den Nitrifikationsprozess (Ammoniak zu Nitrit) unterstützen. Der gelbe Schwamm hat eine langsamere Fließgeschwindigkeit, in der vor allem Mikroorganismen wachsen, die den De-Nitrifikationsprozess (Nitrit zu Nitrat) unterstützen. Beide sind für eine gute Filtrierung des Teichwassers unerlässlich.
<b>E</b>	<b>Algen zerstörend</b>	Das Wasser wird im Rücklauf kurz dem UV-C-Licht ausgesetzt. Dadurch werden Mikroorganismen wie Bakterien und Algen vernichtet. Dies sorgt für gesünderes und klareres Teichwasser.
<b>F</b>	<b>Anschluss für Rücklaufwasser</b>	Das Wasser wird über den Wasserauslass in den Teich zurückgeführt, z.B. zu einem Wasserfall oder Wasserlauf.
<b>G</b>	<b>Drainage</b>	Schmutziger Wasserauslass. Während der Reinigung des Filtermaterials wird das schmutzige Wasser über diesen Auslass in die Kanalisation oder den Garten abgeleitet.
<b>H</b>	<b>Funktionsschalter</b>	Funktionen: Filtermodus ("Filter") und Reinigung ("Clean") des Filters.
<b>I</b>	<b>Reinigungshebel</b>	Wenn der Funktionsschalter auf Reinigen steht, können die Schwämme durch Drehen des Griffs gereinigt werden. Stellen Sie den Funktionsschalter wieder auf Filter ("Filter"), nachdem die Schwämme gereinigt wurden und klares Wasser aus dem Ablassanschluss fließt.

## 4. INSTALLATION DES DRUKFILTERS



**Der Filter sollte nie ohne Wasser betrieben werden, eine Beschädigung ist nicht auszuschließen**

### 4.A PLATZIEREN DES FILTERS

1. Wenn Sie den Filter im Freien aufstellen, schützen Sie ihn vor direkter Sonneneinstrahlung und Regen. Achten Sie darauf, dass der Filter nicht in den Teich fallen kann. Stellen Sie den Filter mindestens 2 Meter vom Teichrand entfernt auf.
2. Der Filter kann teilweise in die Erde eingegraben werden, bis zur Unterseite des Deckels. Stellen Sie sicher, dass die Filterabdeckung für die Reinigung und Wartung immer leicht zugänglich ist. Schützen Sie den Filter vor direktem Regen und Sonnenlicht.
3. Die Installation in einem geschlossenen Bereich in der Nähe des Teiches, geschützt vor Sonnenlicht, Regen und Frost, ist vorzuziehen.
4. Platzieren Sie den Druckfilter nicht zu hoch über der Wasseroberfläche. Die Förderhöhe von der Pumpe zum Filter führt zu einem Verlust der Pumpenkapazität.
5. **ACHTUNG** : Der Rücklaufschlauch vom Filter zum Teich/Wasserfall darf nie höher als max. 1,0 m über dem Filter verlaufen. Bei höherem Wasserstand können die Dichtungen des Filters aufgrund des übermäßigen Drucks undicht werden und die elektrischen Komponenten beschädigen.

### 4.B ANSCHLUSS DER TEICHSCHLÄUCHE AN DEN FILTER

1. Befeuchten Sie die Enden des Teichschlauchs mit warmem Wasser. So lassen sie sich leichter auf die Schlauchkupplungen aufsetzen.
2. Befestigen Sie den Schlauch mit dem größtmöglichen Durchmesser an der mitgelieferten Schlauchkupplung, sowohl am Eingang als auch am Ausgang. Dies verhindert einen Leistungsverlust der Pumpe. Schließen Sie einen Schlauch an den Abwasseranschluss an, der in den Garten oder den Abfluss führt. Schneiden Sie die mitgelieferten Schlauchtüllen auf die gewünschte Größe zu.
3. Verwenden Sie Schlauchschellen, um die Schläuche wasserdicht an den Schlauchkupplungen zu befestigen.

DE

### 4.C INBETRIEBNAHME DES DRUCKFILTERS

Prüfen Sie bei der Inbetriebnahme des Druckfilters immer, ob die Schläuche und Schlauchschellen richtig angeschlossen sind. Der Funktionsschalter sollte sich in der Position "Filter" befinden.

1. Schalten Sie zunächst nur die Teichpumpe ein. Bitte beachten Sie, dass die UV-C-Lampe des Druckfilters nicht an das Stromnetz angeschlossen werden sollte, wenn kein Wasser durch den Druckfilter fließt.
2. Prüfen Sie als nächstes den Druckfilter und die Anschlüsse auf Undichtigkeiten.
3. Wenn alles funktioniert, schließen Sie den Druckfilter an das Stromnetz an.

### 4.D RICHTIGER BETRIEB DES DRUCKFILTERS

1. Der Filter mit UV-C-Lampe und Pumpe muss ständig in Betrieb sein, um eine gute Filterleistung zu erhalten.
2. Die Wirkung einer UV-C-Lampe lässt mit der Zeit nach. Ersetzen Sie die UV-C-Lampe nach 8.000 Betriebsstunden und in jedem Fall nach jeder Saison.
3. Es ist wichtig, das Filtermaterial regelmäßig zu reinigen, je nach Verschmutzung des Teiches. Es ist besser, jede Woche kurz zu reinigen, als gelegentlich. Stark verschmutzte Filterschwämme verringern die Filterleistung erheblich und verschleißern schneller.

## 5. WARTUNG



### **Beachten Sie die Sicherheitsvorschriften**

Der Druckfilter ist wartungsarm, aber nicht wartungsfrei!

Um die Lebensdauer des Filters zu verlängern und einen störungsfreien Betrieb zu gewährleisten, empfehlen wir eine regelmäßige Wartung und Reinigung. Mit wenigen Handgriffen kann jede Person die Wartungsarbeiten problemlos durchführen.

### 5.A REGELMÄSSIGE REINIGUNG DES ROTATIONSFILTERS

Die Filterschwämme werden mit der Zeit gesättigt, Leistung und Effektivität nehmen ab. Reinigen Sie die Filterschwämme regelmäßig (je nach Verschmutzung, z.B. wöchentlich), damit sie optimal funktionieren.

1. Schalten Sie die Pumpe des Filters und das UV-C aus.
2. Stellen Sie den Funktionsschalter (H) auf clean("sauber").
3. Schließen Sie das Ventil des Rücklaufschlauchs (F).
4. Öffnen Sie den Hahn des Schmutzwasserschlauchs (G).
5. Schalten Sie jetzt nur noch die Pumpe ein, um den Filter zu spülen.
6. Drehen Sie den Reinigungshebel (I). Der Reinigungsmechanismus drückt den Filterschwamm nach innen, so dass der Schmutz ausgespült wird.
7. Der Filter ist nun gereinigt. Das kontaminierte Wasser wird nun abgelassen. Sobald klares Teichwasser durch den transparenten Anschluss sichtbar wird, ist die Reinigung abgeschlossen.
8. Schalten Sie die Pumpe wieder aus.
9. Öffnen Sie den Hahn des Rücklaufschlauchs (F) und schließen Sie den Hahn des Schmutzwasserschlauchs (G).
10. Stellen Sie den Funktionsschalter von der Position "clean" auf die Position "filter".
11. Schalten Sie die Pumpe wieder ein.
12. Das Filtermaterial ist nun gereinigt. Prüfen Sie, ob wieder Wasser aus dem Druckfilter austritt.
13. Schalten Sie nun das UV-C-Gerät des Filters wieder ein.

Eine kurze Reinigung pro Woche ist die beste Methode, je nach Verschmutzung des Teiches.

### 5.B VOLLSTÄNDIGE REINIGUNG DER FILTERSCHWÄMME



**Verwenden Sie niemals chemische Reinigungsmittel, um die Filterschwämme oder den Filter zu reinigen. Dies tötet die aufgebaute Biomasse in den Schwämmen ab.**

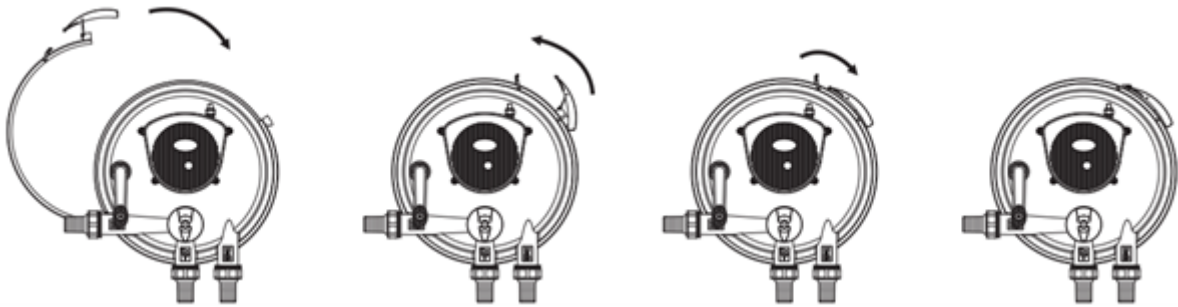
Wenn die Wasserkapazität abnimmt und die Reinigungsfunktion dies nicht verbessert, sollten die Filterschwämme manuell gereinigt oder komplett ausgetauscht werden.

1. Schalten Sie den Filter aus, indem Sie ihn ausstecken.
2. Schalten Sie die Teichpumpe aus.
3. Trennen Sie alle Teichschläuche vom Druckfilter.
4. Öffnen Sie die Gehäuseklemme (12).
5. Nehmen Sie den Filterdeckel mit den Filterschwämmen (7) aus dem Druckfilter, entleeren Sie ihn. Vorsicht! : Das Filterpaket kann bei hoher Verschmutzung schwer sein. Legen Sie den Deckel mit dem Filterpaket nach oben auf eine saubere Oberfläche.
6. Öffnen Sie den Deckel der UV-C-Röhre (10) gegen den Uhrzeigersinn und nehmen Sie ihn von der UV-C-Röhre ab.

7. Schrauben Sie die Schraube (15) von der Schwenkstange (18) ab.
8. Entfernen Sie die Trennplatte (9)
9. Nehmen Sie die Filterschwämme heraus, reinigen Sie sie unter fließendem Wasser und drücken Sie sie gut aus.
10. Reinigen Sie auch den Druckfilter auf der Innenseite.
11. Das größte Filtermodell ist mit einem Korb mit Biokugeln ausgestattet. Nehmen Sie diesen aus dem Filtertank, spülen Sie ihn mit sauberem Leitungs- oder Teichwasser aus und setzen Sie ihn wieder in den Tank ein.
12. Montieren Sie das Filterpaket wie unten beschrieben.

## 5.C AUSWECHSELN DER FILTERSCHWÄMME

1. Legen Sie abwechselnd einen gelben und einen blauen Schwamm auf die UV-C-Röhre, setzen Sie die Trennplatte (9) ein und montieren Sie den Drehstab.
2. Montieren Sie den Kopf der UV-C-Röhre im Uhrzeigersinn auf die UV-C-Röhre.
3. Setzen Sie den O-Ring des Filtertanks wieder auf den Tank, dies sollte mit Vorsicht geschehen.
4. Setzen Sie den Filterdeckel mit dem Schaumstoffpaket direkt wieder in den Tank.
5. Bringen Sie den Klemmring an und klemmen Sie ihn dann zu.
6. Montieren Sie dann alle Schläuche wieder am Filter.
7. Nehmen Sie die Pumpe in Betrieb und prüfen Sie, ob alles dicht ist.
8. Betreiben Sie dann das UV-C-Gerät.



DE

## 5.D ZERLEGEN UND REINIGEN DES UV-C-GERÄTS

Teichwasser fließt an dem Quarzglas im Gehäuse vorbei und verursacht nach einiger Zeit (Kalk-)Ablagerungen auf dem Glas. Das UV-C-Licht erreicht daher das fließende Wasser nicht so gut, was seine Wirkung verringert. Reinigen Sie das Quarzglas regelmäßig zusammen mit dem Filtermaterial.



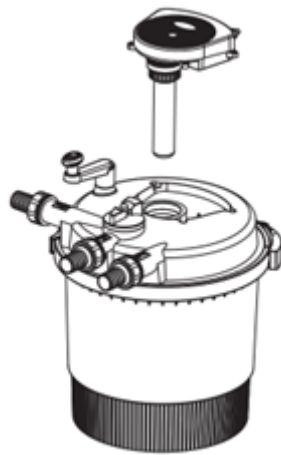
**Vermeiden Sie den direkten Kontakt mit der Lampe: Halten Sie die UV-C-Lampe mit einem Tuch fest.**

1. Schalten Sie das UV-C und die Pumpe aus.
2. Entfernen Sie die vier Schrauben des Deckels.
3. Richten Sie den UV-C-Halter mit der Röhre gerade aus.
4. Reinigen Sie das Quarzglas mit einem feuchten Tuch, um Kratzer zu vermeiden.
5. Prüfen Sie, ob das Quarzglas beschädigt oder gebrochen ist.
6. Ersetzen Sie sie bei Bedarf.
7. Schieben Sie den UV-C-Halter zurück in die Filterabdeckung



**Das Wiedereinsetzen des UV-C-Halters in den Deckel kann schwierig sein. Zu starkes Drücken kann zu Schäden führen!**

Schmieren Sie etwas Vaseline auf die Innenseite des Gehäuses der UV-C-Halterung, um das Auswechseln der UV-C-Halterung einfach und leicht zu machen.



### Ersetzen der UV-C-Lampe und des Quarzglases

1. Schrauben Sie das Drehgelenk (6) am Quarzglas ab.
2. Nehmen Sie die Quarzglasröhre heraus und setzen Sie die UV-C-Lampe wieder ein.
3. Überprüfen Sie das Quarzglas und ersetzen Sie es, wenn es zerbrochen oder beschädigt ist.
4. Bauen Sie alle Teile wieder zusammen
5. Prüfen Sie den O-Ring der Viertelstabscheibe, er sollte nicht beschädigt sein. Reinigen Sie es mit einem feuchten Tuch.
6. Ersetzen Sie den UV-C-Halter wie in Abschnitt 7 Kapitel 3.2 beschrieben.

## 6. WINTERVORBEREITUNG

DE

Bei Annäherung (anhaltender Frost) nehmen Sie den Filter ab, entfernen das Wasser und reinigen ihn wie in dieser Anleitung beschrieben. Trocken und frostfrei lagern.

Das Einfrieren kann zu irreparablen Schäden am Filter führen.

## 7. FEHLERBEHEBUNG



**Beachten Sie die Sicherheitshinweise!**

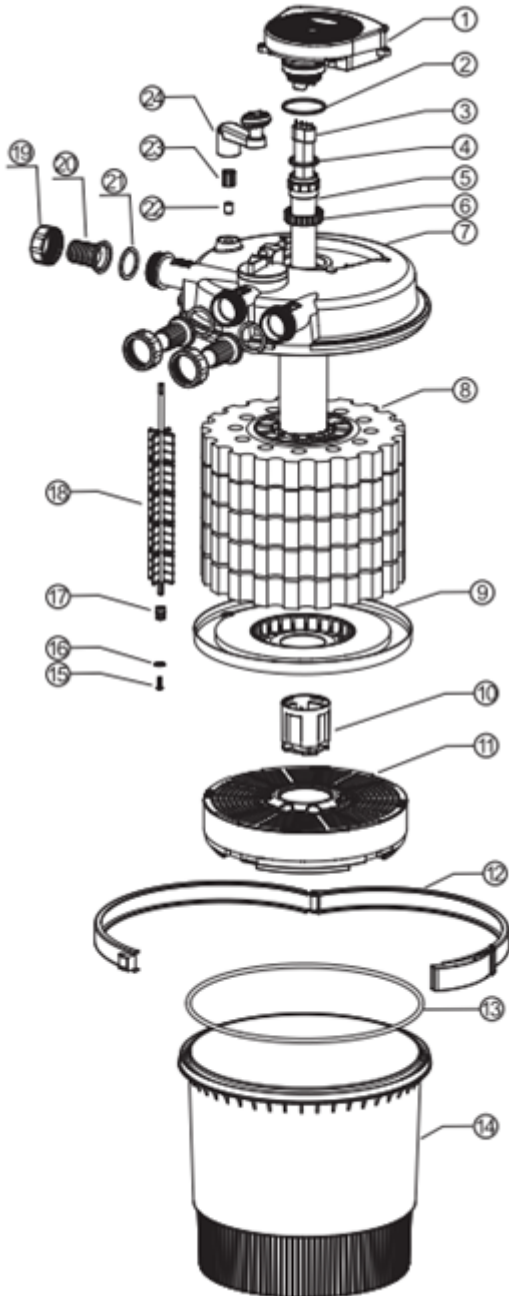
Problem	Ursache	Lösung
<b>Die UV-C-Anzeigelampe leuchtet nicht</b>	Druckfilterstecker nicht in der Buchse	Schalten Sie den Druckfilter ein, indem Sie ihn in die Steckdose stecken
	UV-C-Lampe ist defekt	Ersetzen Sie die UV-C-Lampe
	Anschluss der Lampe falsch	Prüfen Sie, ob die Lampe richtig in der Halterung sitzt.
<b>Das Wasser wird nicht sauber</b>	Der Filter ist schon lange nicht mehr eingeschaltet	Die Filterwirkung ist nach einem Zeitraum von 1 bis 2 Wochen optimal.
	Niedriger Druck am Wassereingang	Schließen Sie die Pumpe neu an oder tauschen Sie sie aus, oder die Pumpenkapazität ist im Verhältnis zur Filter-/Teichkapazität zu gering.
	Das Wasser ist zu verschmutzt	Entfernen Sie Algen und Blätter aus dem Teich und/oder wechseln Sie das Wasser
	Der Filterschwamm ist verschmutzt	Reinigen Sie den Filterschwamm
	Das Quarzglas des UV-C ist verschmutzt	Reinigen Sie das Quarzglas
<b>Kein Wasser aus dem Filter</b>	Funktionstaste ist auf 'reinigen' eingestellt	Setzen Sie die Funktionstaste auf 'filtern'.
	Pumpenstecker nicht in der Steckdose	Schließen Sie die Pumpe an
	Teichpumpe defekt oder stark verschmutzt	Überprüfen Sie die Pumpe

Sie können das Problem nicht selbst lösen? Bitte kontaktieren Sie unseren Kundenservice, wir helfen Ihnen gerne weiter. [www.BluGarda.shop](http://www.BluGarda.shop)



## 8. TEILE

Bei richtigem Gebrauch und richtiger Pflege werden Sie lange Freude an diesem Produkt haben, aber es kann vorkommen, dass Sie ein Ersatzteil benötigen. BluGarda ist der Meinung, dass die Lieferung von Ersatzteilen wichtig ist, um Ihr Produkt wieder funktionsfähig zu machen.



1	UV-C Halter
2	O-Ring-Abdeckung
3	UV-C-Lampe
4	O-Ring Quarzglas
5	Quarzglas
6	Schwenkbares Quarzglas
7	Filterabdeckung
8	Schwamm
9	Trennwand
10	UV-C-Sprühhaube
11	Filterkorb
12	Gehäuseklammer
13	O-Ring-Filterbehälter
14	Filtertank
15	Schraube
16	Polsterring
17	Lager
18	Drehstange
19	Ein/Aus-Stopfbuchse
20	Tülle für Eingangs-/Ausgangsschlauch
21	Dichtungsring
22	Lager
23	Kupplungsdrehhebel
24	Klingelhebel

DE

## 9. GARANTIEBEDINGUNGEN

Der Filter unterliegt einer 36-monatigen Garantie, die ab dem Zeitpunkt des Kaufs gilt. Das Datum auf der Kaufrechnung ist das effektive Datum. Bewahren Sie die Rechnung auf, Sie benötigen sie, wenn Sie die Garantie in Anspruch nehmen möchten.

### 9.A WAS BEINHALTET DIE GARANTIE

Wir gewähren eine Garantie auf Material- und/oder Konstruktionsfehler. Defekte Teile werden innerhalb der Garantiezeit kostenlos repariert oder ersetzt.

Natürlicher Verschleiß an Filterschwämmen, UV-C-Lampe und Quarzglas ist nicht von der Garantie abgedeckt.

Bei einer Garantiebewertung prüfen wir, ob Ihr Produkt ordnungsgemäß gewartet wurde. Bei mangelhafter Wartung, Skalierung, Schäden durch unsachgemäßen Gebrauch, Beschädigung des Netzkabels haben wir das Recht, Garantieansprüche auszuschließen. In diesem Fall erhalten Sie einen Kostenvoranschlag für die Reparatur oder den Austausch des Filters.

Änderungen am Filter, wie das Kürzen des Netzkabels oder das Abschneiden des Steckers, führen zum Erlöschen des Garantieanspruchs.

Für Folgeschäden, die durch Ausfall oder Missbrauch des Filters entstehen, haftet BluGarda nicht.

Druckfehler und technische Änderungen vorbehalten.

DE



Dieses Produkt entspricht der Niederspannungsrichtlinie (2014/35/EU) und der EMV-Richtlinie (2014/30/EU), und wir erklären die Einhaltung der folgenden Norm(en):

LVD	EN60335-1: 2012+A11+A13 EN60335-2-109:2010 EN62233:2008
-----	---

# TABLE DES MATIÈRES

---

<b>1. Déballage</b>	<b>36</b>
1.A Contenu	36
1.B Vérifier les données techniques	36
1.C Données techniques	36
1.D Application	37
<b>2. Sécurité</b>	<b>37</b>
<b>3. Fonctionnement du filtre à pression</b>	<b>38</b>
<b>4. Installation du filtre à pression</b>	<b>39</b>
4.A Mise en place du filtre	39
4.B Raccordement des tuyaux du bassin au filtre	39
4.C Mise en service du filtre à pression	39
4.D Fonctionnement correct du filtre à pression	39
<b>5. Entretien</b>	<b>40</b>
5.A Nettoyage périodique du filtre à l'aide de la poignée rotative	40
5.B Nettoyage complet des éponges filtrantes	40
5.C Remplacement des éponges filtrantes	41
5.D Démontage et nettoyage du dispositif UV-c	41
<b>6. Préparation à l'hiver</b>	<b>42</b>
<b>7. Réparer soi-même les petits problèmes</b>	<b>43</b>
<b>8. Pièces</b>	<b>44</b>
<b>9. Conditions de garantie</b>	<b>45</b>
9.A Que comporte la garantie ?	45

# 1. DÉBALLAGE



**Au travail!**

Vérifiez que le filtre à pression, le câble d'alimentation et la fiche ne sont pas endommagés, si tel est le cas, n'utilisez pas l'appareil. Prenez des photos et contactez BluGarda.

## 1.A CONTENU

1x filtre à pression avec câble d'alimentation de 5 m  
3x jeu de raccords pour tuyaux  
1x manuel

Si tout est en ordre, suivez les autres instructions du manuel.



**Lisez attentivement les instructions et suivez-les !**

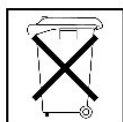
## 1.B VÉRIFIER LES DONNÉES TECHNIQUES

Vérifiez les données sur la plaque signalétique

La plaque signalétique contient toutes les données techniques importantes.

<b>Tension V/Hz</b>	La tension indiquée doit correspondre à la tension du domicile.
<b>Débit maximal recommandé</b>	Débit maximal du filtre à pression
<b>Lampe UV-C W</b>	Watts/puissance de la lampe UV-C
<b>IP 44</b>	Code de protection ; le filtre est étanche aux projections d'eau
<b>Max 0,3 Bar</b>	Pression maximale en Bar
<b>T. max</b>	Température maximale pour le filtre
<b>CE</b>	Ce signe indique que le produit est conforme à la législation européenne.

FR



Les appareils électriques défectueux utilisés dans les ménages doivent être mis au rebut conformément aux directives européennes. Ce produit ne doit pas être jeté avec les déchets ménagers normaux, mais collecté séparément.

Vous trouverez de plus amples informations sur les points de collecte des déchets locaux auprès de la municipalité de votre domicile..

## 1.C DONNÉES TECHNIQUES

Type	Tension	Puissance Lampe UV-C/ type	Cordon	Volume du filtre	Débit maximal
	V/Hz	Watt	Mètres	Litres	Litres/heure
<b>BGPF-6000</b>	220-240/50	11 Watt/PL	5	16	6.000
<b>BGPF-8000</b>	220-240/50	11 Watt/PL	5	20	8.000
<b>BGPF-10000</b>	220-240/50	18 Watt/PL	5	25	10.000

## 1.D APPLICATION

Ce produit convient uniquement à l'eau douce dont la température est comprise entre +4 °C et +35 °C, aux bassins et aux aménagements aquatiques. Ne convient pas à l'eau de mer (salée) et/ou aux liquides auxquels le produit n'est pas résistant (par exemple, les liquides chimiques).

Les filtres à pression BGPF sont destinés à nettoyer l'eau des bassins avec ou sans poissons d'ornement (sauf koï's) et sont installés à l'extérieur du bassin.

## 2. SÉCURITÉ



***L'utilisation de ce filtre n'est autorisée que si l'installation électrique existante est conforme aux normes légales.***

Le filtre ne doit jamais être utilisé lorsque des personnes se trouvent dans l'eau ! (débrancher le filtre du réseau)

Le filtre ne peut être raccordé qu'à une installation équipée d'un disjoncteur à courant résiduel (30 mA) et d'une prise de courant de terre.

La prise doit être placée dans un endroit exempt d'humidité, à au moins 2 mètres du bord de l'eau.

Le filtre est équipé d'une lampe UV-C intégrée : Le rayonnement UV-C est nocif pour les yeux et la peau : Évitez tout contact direct avec la lampe. Celle-ci ne doit être utilisée que lorsque la lampe est dans le boîtier et installée dans le bassin.



***En cas de doute, consultez un installateur professionnel.***

Les personnes qui n'ont pas pris connaissance des présentes instructions ne sont pas autorisées à utiliser le filtre !

Cet appareil n'est pas destiné à être utilisé par des personnes ou des enfants présentant des handicaps physiques, sensoriels ou mentaux, ou un manque d'expérience et/ou de connaissances.

Sauf s'ils sont accompagnés d'une personne responsable de leur sécurité ou s'ils reçoivent des instructions sur la manière d'utiliser l'appareil.

Il faut veiller à ce que les enfants ne puissent pas jouer avec l'appareil.

Avant toute intervention sur le filtre et/ou le bassin ou tout autre système avec lequel le filtre est connecté, il faut débrancher la fiche secteur du filtre et de tout autre appareil qui y est connecté.

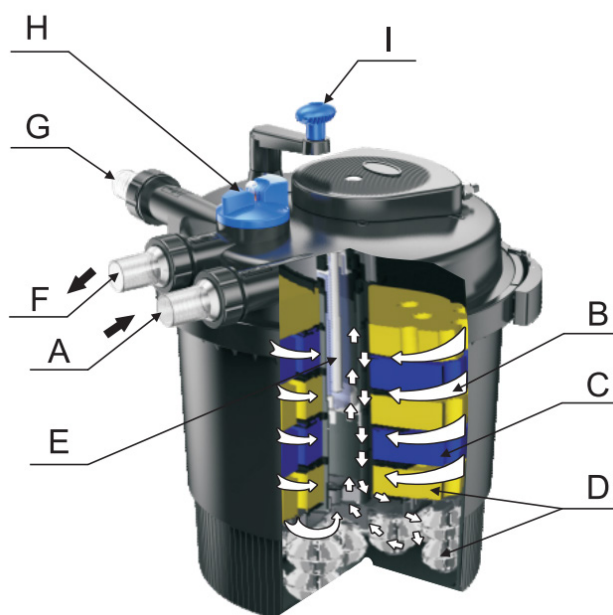
Gardez la fiche à l'abri de l'humidité. Pour éviter que l'eau ne coule le long du cordon jusqu'à la fiche, il faut former une boucle.

Avant de mettre le filtre en service, il faut vérifier que le cordon d'alimentation et la fiche ne sont pas endommagés.

En cas d'endommagement du cordon d'alimentation, du filtre ou de la lampe UV-C, le filtre ne peut plus être utilisé.

Ne déplacez ou ne suspendez jamais le filtre par le cordon d'alimentation.

### 3. FONCTIONNEMENT DU FILTRE À PRESSION



<b>A</b>	<b>Entrée d'eau</b>	La pompe du bassin est reliée à l'entrée d'eau du filtre à pression par un tuyau de bassin, utilisez un diamètre de tuyau aussi grand que possible pour maintenir des résistances aussi faibles que possible.
<b>B</b>	<b>Fonctionnement vortex</b>	La gravité et le vortex séparent les particules en suspension de l'eau.
<b>C</b>	<b>Filtrage mécanique</b>	Les éponges filtrantes permettent de séparer les particules solides de l'eau.
<b>D</b>	<b>Filtrage biologique</b>	Les trous dans les éponges par lesquels l'eau s'écoule forment une grande surface à laquelle les micro-organismes peuvent adhérer. Ils assurent une bonne filtration de l'eau. Les éponges jaunes et bleues ont des débits différents. L'éponge bleue a un débit rapide, et c'est là que se développent principalement les micro-organismes qui soutiennent le processus de nitrification (de l'ammoniac au nitrite). L'éponge jaune a un débit plus lent, et c'est là que se développent principalement les micro-organismes qui soutiennent le processus de dénitrification (des nitrites aux nitrates). Ces deux éponges sont essentielles pour une bonne filtration de l'eau du bassin.
<b>E</b>	<b>Destruction des algues</b>	L'eau est brièvement exposée à la lumière UV-C pendant le flux de retour. Cela détruit les micro-organismes tels que les bactéries et les algues. Cela garantit une eau de bassin plus saine et plus claire.
<b>F</b>	<b>Raccordement du retour d'eau</b>	L'eau est renvoyée dans le bassin via la sortie d'eau vers une cascade ou un ruisseau, par exemple.
<b>G</b>	<b>Évacuation des eaux usées</b>	Écoulement des eaux sales. Lors du nettoyage du matériau filtrant, l'eau polluée est évacuée par cette sortie vers l'égout ou le jardin.
<b>H</b>	<b>Commutateur de fonction</b>	Fonctions : Mode filtre (« filter ») et nettoyage (« clean ») du filtre.
<b>I</b>	<b>Poignée de nettoyage</b>	Lorsque le commutateur de fonction est réglé sur nettoyage, les éponges peuvent être nettoyées en tournant la poignée. Une fois que les éponges ont été nettoyées et que de l'eau claire s'écoule du raccord de vidange, remettez le commutateur de fonction sur filtre (« filter »).

## 4. INSTALLATION DU FILTRE À PRESSION



**Le filtre ne doit jamais être utilisé sans eau, car des dommages ne peuvent être exclus.**

### 4.A MISE EN PLACE DU FILTRE

1. Dans le cas d'une installation extérieure, protégez le filtre de la lumière directe du soleil et de la pluie. Veillez à ce que le filtre ne puisse pas tomber dans le bassin. Placez le filtre à au moins 2 mètres du bord du bassin.
2. Le filtre peut être partiellement enterré dans le sol jusqu'au fond du couvercle. Veillez toujours à ce que le couvercle du filtre soit facilement accessible à des fins de nettoyage et d'entretien. Protégez le filtre de la pluie et des rayons du soleil.
3. Il est préférable de l'installer dans un endroit clos près du bassin, à l'abri du soleil, de la pluie et du gel.
4. Ne placez pas le filtre à pression trop haut au-dessus de la surface de l'eau. La hauteur de refoulement entre la pompe et le filtre entraîne une perte de capacité de la pompe.
5. ATTENTION : Le tuyau de retour du filtre vers le bassin/la chute d'eau ne doit jamais se trouver à plus de 1,0 m au-dessus du filtre. Si le débit d'eau est plus élevé, les joints du filtre peuvent fuir en raison d'une pression excessive et les composants électriques peuvent être endommagés.

### 4.B RACCORDEMENT DES TUYAUX DU BASSIN AU FILTRE

1. Assouplissez les extrémités du tuyau du bassin avec de l'eau chaude. Il est ainsi plus facile de les placer sur les raccords de tuyaux.
2. Fixez le tuyau de plus grand diamètre possible au connecteur de tuyau fourni, à l'entrée et à la sortie. Cela évite que la pompe ne perde de sa capacité. Fixez un tuyau à la sortie d'évacuation des eaux usées qui mène au jardin ou à l'égout. Coupez les raccords cannelés fournis à la taille requise.
3. Utilisez des colliers de serrage pour fixer les tuyaux de manière étanche sur les raccords de tuyaux.

FR

### 4.C MISE EN SERVICE DU FILTRE À PRESSION

Lors de la mise en service du filtre à pression, vérifiez toujours que les tuyaux et les colliers de serrage sont correctement connectés. Le commutateur de fonction doit être en position « filter ».

1. Commencez par allumer uniquement la pompe du bassin. Remarque : La lampe UV-C du filtre à pression ne doit pas être connectée au réseau s'il n'y a pas d'eau qui circule dans le filtre à pression.
2. Vérifiez ensuite l'étanchéité du filtre à pression et des raccords.
3. Si tout fonctionne, connectez le filtre à pression au réseau électrique.

### 4.D FONCTIONNEMENT CORRECT DU FILTRE À PRESSION

1. Le filtre, avec la lampe UV-C et la pompe, doivent fonctionner en permanence afin de maintenir une bonne performance du filtre.
2. L'effet d'une lampe UV-C diminue avec le temps. Remplacez la lampe UV-C après 8 000 heures de fonctionnement et en tout cas après chaque saison.
3. Il est important de nettoyer régulièrement le matériau filtrant, en fonction de la pollution du bassin. Il est préférable de le nettoyer chaque semaine pendant une courte période plutôt que de le faire de temps en temps. Les éponges filtrantes très sales réduisent considérablement les performances du filtre et s'usent plus rapidement.

## 5. ENTRETIEN



**Respectez les consignes de sécurité.**

Le filtre à pression nécessite peu d'entretien, mais n'est pas sans entretien !

Afin de prolonger la durée de vie du filtre et d'assurer un fonctionnement sans problème, nous recommandons un entretien et un nettoyage réguliers. En quelques gestes, n'importe qui peut effectuer tous les travaux d'entretien sans problème.

### 5.A NETTOYAGE PÉRIODIQUE DU FILTRE À L'AIDE DE LA POIGNÉE ROTATIVE

Les éponges filtrantes se saturent avec le temps, leur fonction et leur efficacité sont réduites. Nettoyez régulièrement les éponges filtrantes (en fonction de la contamination, par exemple une fois par semaine), afin qu'elles continuent à fonctionner de manière optimale.

1. Arrêtez la pompe et la lampe UV-C du filtre.
2. Placez le commutateur de fonction (H) sur nettoyage (« clean »).
3. Fermez le robinet du tuyau de retour (F).
4. Ouvrez le robinet du tuyau d'eau sale (G).
5. Maintenant, il suffit de mettre la pompe en marche pour rincer le filtre.
6. Tournez la poignée de nettoyage (I). Le mécanisme de nettoyage pousse l'éponge du filtre vers l'intérieur afin de rincer la saleté.
7. Le filtre est maintenant nettoyé. Les eaux polluées sont désormais évacuées. Dès que l'eau claire du bassin devient visible à travers le raccord transparent, le nettoyage est terminé.
8. Arrêtez à nouveau la pompe.
9. Ouvrez le robinet du tuyau de retour (F) et fermez le robinet du tuyau d'eau sale (G).
10. Remettez le commutateur de fonction de la position « clean » à la position « filter ».
11. Remettez la pompe en marche.
12. Le matériau filtrant a maintenant été nettoyé. Vérifiez si de l'eau sort à nouveau du filtre à pression.
13. Maintenant, remettez en marche le dispositif UV-C du filtre.

FR

Un bref nettoyage chaque semaine est la meilleure méthode, en fonction de la contamination du bassin.

### 5.B NETTOYAGE COMPLET DES ÉPONGES FILTRANTES



**Remarque : n'utilisez jamais de produits chimiques pour nettoyer les éponges ou le filtre. Cela tuerait la biomasse accumulée dans les éponges.**

Si la capacité de l'eau diminue et que la fonction de nettoyage ne l'améliore pas, les éponges filtrantes doivent être nettoyées manuellement ou remplacées complètement.

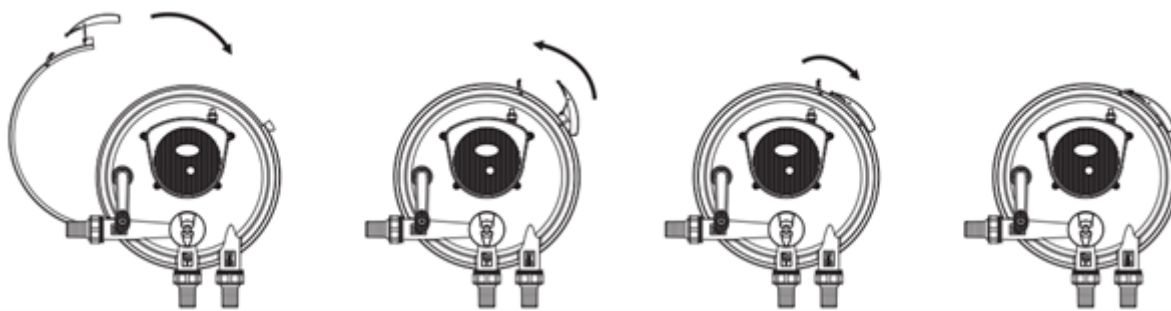
1. Mettez le filtre hors tension en retirant la fiche de la prise électrique.
2. Arrêtez la pompe du bassin.
3. Débranchez tous les tuyaux du bassin du filtre à pression.
4. Ouvrez le collier de serrage du boîtier (12).
5. Retirez le couvercle du filtre avec les éponges filtrantes (7) du filtre à pression et laissez-les égoutter. Attention ! L'ensemble du filtre peut être lourd en cas de contamination élevée. Placez le couvercle avec le paquet de filtres vers le haut sur une surface propre.
6. Tournez le capot du tube UV-C (10) dans le sens inverse des aiguilles d'une montre et retirez-le du tube UV-C.



7. Dévissez la vis (15) de la tige pivotante (18).
8. Retirez la plaque de séparation (9)
9. Retirez les éponges filtrantes, nettoyez-les sous l'eau courante et pressez-les bien.
10. Nettoyez également l'intérieur du filtre à pression.
11. Le plus grand modèle de filtre est équipé d'un panier avec des bioballes. Sortez-les du réservoir du filtre, rincez-les avec de l'eau propre du robinet ou du bassin et remettez-les dans le réservoir.
12. Montez l'ensemble du filtre comme décrit ci-dessous.

## 5.C REMPLACEMENT DES ÉPONGES FILTRANTES

1. Placez alternativement les éponges jaunes et bleues sur le tube UV-C, installez la plaque de séparation (9) et montez la tige pivotante.
2. Montez la tête du tube UV-C dans le sens des aiguilles d'une montre sur le tube UV-C.
3. Remettez soigneusement le joint torique du réservoir du filtre sur le réservoir.
4. Remettez le couvercle du filtre avec le paquet de mousse verticalement dans le réservoir.
5. Mettez en place la bague de serrage et fermez-la.
6. Remontez ensuite tous les tuyaux sur le filtre.
7. Mettez la pompe en service et vérifiez que tout est étanche.
8. Ensuite, mettez le dispositif UV-C en service



FR

## 5.D DÉMONTAGE ET NETTOYAGE DU DISPOSITIF UV-C

L'eau du bassin s'écoule sur le verre de quartz du boîtier, ce qui entraîne la formation de tartre (calcaire) sur le verre après un certain temps. La lumière UV-C n'atteindra donc pas l'eau qui traverse l'appareil aussi efficacement, ce qui réduit son effet. Nettoyez périodiquement le verre de quartz ainsi que le matériau filtrant.



**Évitez tout contact des mains avec la lampe : Tenez la lampe UV-C avec un chiffon**

1. Arrêtez la lampe UV-C et la pompe.
2. Retirez les quatre vis du couvercle.
3. Sortez le support UV-C avec le tube verticalement de l'appareil.
4. Nettoyez le verre de quartz avec un chiffon humide, pour éviter les rayures.
5. Vérifiez si le verre de quartz n'est pas endommagé ou cassé.
6. Remplacez-le si nécessaire.
7. Repoussez le support UV-C dans le couvercle du filtre.



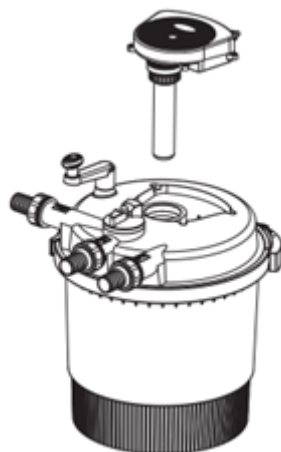
**Il peut être difficile de réinsérer le support UV-C dans le couvercle. Une pression trop forte peut causer des dommages !**

Lubrifiez l'intérieur du boîtier du support UV-C avec un peu de vaseline pour faciliter le remplacement du support UV-C.

### Remplacez la lampe UV-C et le verre de quartz

1. Ouvrez le manchon de serrage (6) sur le verre de quartz.

2. Retirez le tube en verre de quartz et remplacez la lampe UV-C.
3. Vérifiez le verre de quartz, remplacez-le s'il est cassé ou endommagé.
4. Réassemblez toutes les pièces
5. Vérifiez le joint torique du verre de quartz, il ne doit pas être endommagé. Nettoyez-le avec un chiffon humide.
6. Remplacez le support UV-C comme décrit à la section 7, chapitre 3.2



## 6. PRÉPARATION À L'HIVER

FR

En cas de gel imminent (persistant), déconnectez le filtre, retirez l'eau et nettoyez comme décrit dans ces instructions. Conservez le filtre dans un endroit sec et à l'abri du gel.

Le gel peut causer des dommages irréparables au filtre.

## 7. RÉPARER SOI-MÊME LES PETITS PROBLÈMES



**Respectez les consignes de sécurité !**

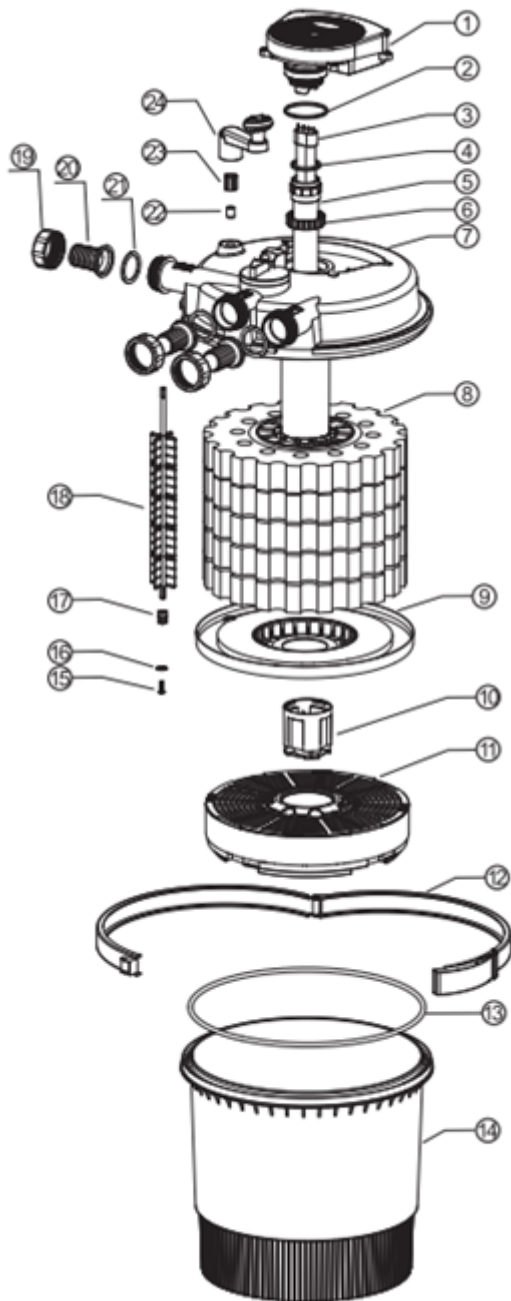
Problème	Cause	Solution
<b>Le témoin lumineux UV-C n'est pas allumé</b>	La fiche du filtre à pression n'est pas branchée sur la prise de courant	Démarrez le filtre à pression en branchant la fiche dans la prise de courant
	La lampe UV-C ne fonctionne pas	Remplacez la lampe UV-C
	Mauvaise connexion de la lampe	Vérifiez que la lampe est correctement connectée dans son support
<b>L'eau ne devient pas propre</b>	Le filtre n'a pas été activé depuis longtemps	L'effet du filtre est optimal après une période de 1 à 2 semaines.
	Faible pression sur l'entrée d'eau	Reconnectez ou remplacez la pompe, ou la capacité de la pompe est trop faible par rapport à la capacité du filtre/du bassin.
	L'eau est trop contaminée	Enlevez les algues et les feuilles du bassin et/ou changez l'eau.
	L'éponge du filtre est contaminée	Nettoyez l'éponge du filtre
	Le verre de quartz de l'UV-C est sale	Nettoyez le verre de quartz
<b>Aucune eau ne sort du filtre</b>	Le bouton de fonction est réglé sur « clean ».	Réglez le bouton de fonction sur « filter ».
	La fiche de la pompe n'est pas dans la prise de courant	Branchez la fiche de la pompe dans la prise de courant
	Pompe de bassin défectueuse ou fortement contaminée	Vérifiez la pompe

FR

Vous ne pouvez pas résoudre le problème vous-même ? Veuillez contacter notre service clientèle, nous serons heureux de vous aider. [www.BluGarda.nl](http://www.BluGarda.nl)

## 8. PIÈCES

Avec une utilisation et un entretien appropriés, vous profiterez longtemps de ce produit, mais il peut arriver que vous ayez besoin d'une pièce de rechange. BluGarda considère que la fourniture de pièces est importante pour remettre votre produit en état de marche.



1	Support de lampe UV-C
2	Couvercle du joint torique
3	Lampe UV-C
4	Joint torique du verre de quartz
5	Verre de quartz
6	Manchon de serrage du verre de quartz
7	Couvercle du filtre
8	Éponge
9	Plaque de séparation
10	Capot du tube UV-C
11	Panier à filtre
12	Pince du boîtier
13	Joint torique du réservoir du filtre
14	Réservoir du filtre
15	Vis
16	Anneau de remplissage
17	Roulement
18	Tige pivotante
19	Manchon de serrage d'entrée/sortie
20	Raccord cannelé d'entrée/sortie
21	Bague d'étanchéité
22	Roulement
23	Poignée rotative de connexion
24	Poignée de nettoyage

FR

## 9. CONDITIONS DE GARANTIE

Le filtre est livré avec une garantie de 36 mois, qui commence à partir de la date d'achat. La date figurant sur la facture d'achat est la date d'entrée en vigueur. Conservez la facture, vous en aurez besoin si vous voulez faire valoir la garantie.

### 9.A QUE COMPORTE LA GARANTIE ?

Nous accordons une garantie sur les défauts de matériel et/ou de construction, les pièces défectueuses seront réparées ou remplacées gratuitement pendant la période de garantie.

L'usure naturelle des éponges filtrantes, de la lampe UV-C et du verre de quartz n'est pas couverte par la garantie.

Dans le cadre d'une évaluation de garantie, nous vérifions si votre produit a été correctement entretenu. En cas de mauvais entretien, de formation de tartre, de dommages causés par une utilisation inappropriée, de dommages au cordon d'alimentation, nous avons le droit d'exclure les droits à la garantie. Dans ce cas, une proposition de coût suivra pour réparer ou remplacer le filtre.

Toute modification du filtre, telle que le raccourcissement du cordon d'alimentation ou la coupe de la fiche, annulera la garantie.

BlueGarda n'est pas responsable des dommages consécutifs à une défaillance ou à une mauvaise utilisation du filtre.

Sous réserve d'erreurs d'impression et de modifications techniques.



Ce produit est conforme à la directive basse tension (2014/35/UE) et à la directive CEM (2014/30/UE) et nous déclarons que la ou les normes suivantes sont respectées :

LVD	EN60335-1: 2012+A11+A13 EN60335-2-109:2010 EN62233:2008
-----	---







**BLUGARDA**



**BluGarda®**

[www.BluGarda.shop](http://www.BluGarda.shop)  
[support@blugarda.shop](mailto:support@blugarda.shop)

BluPressure manual- ver. 11-2022