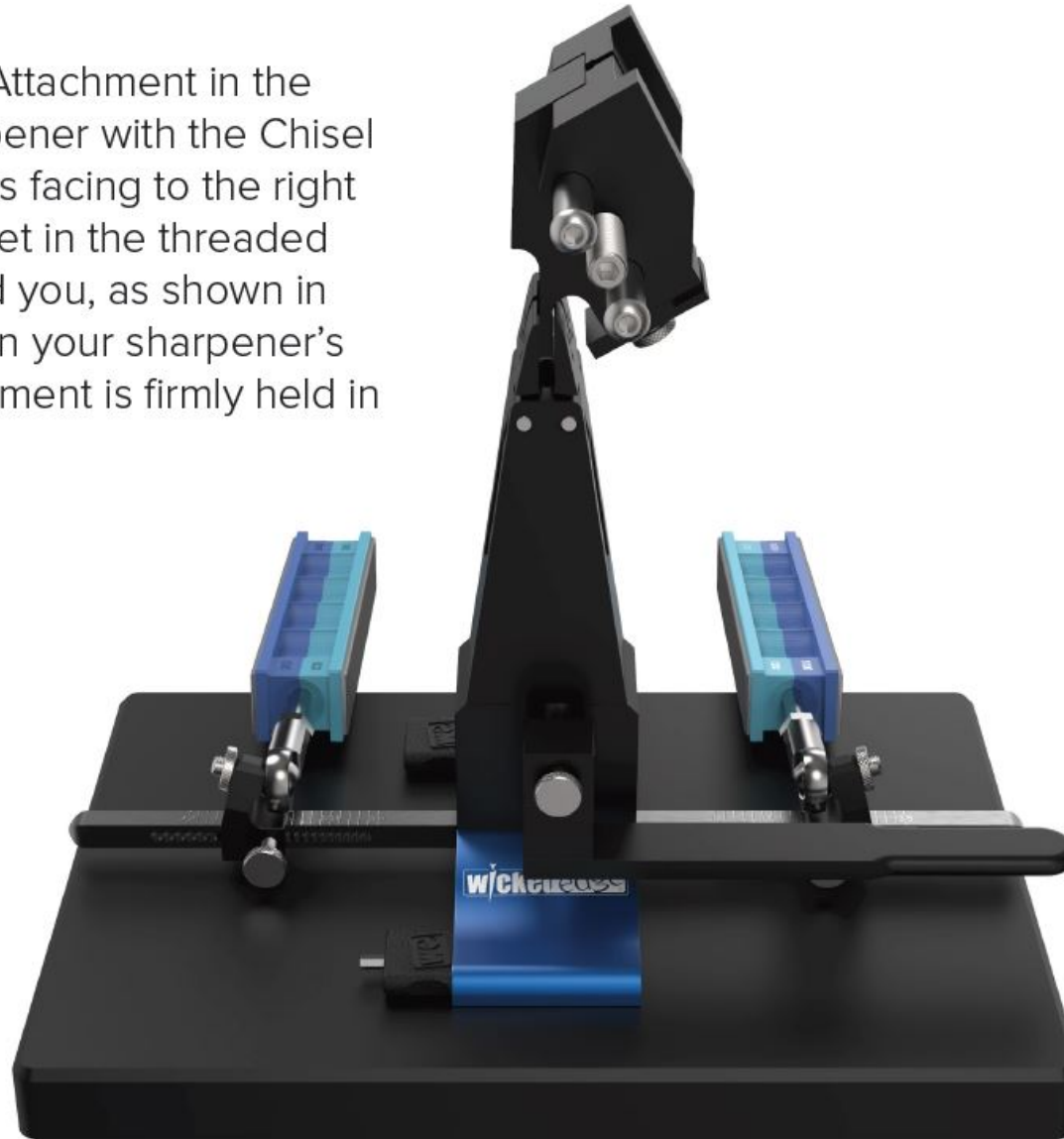




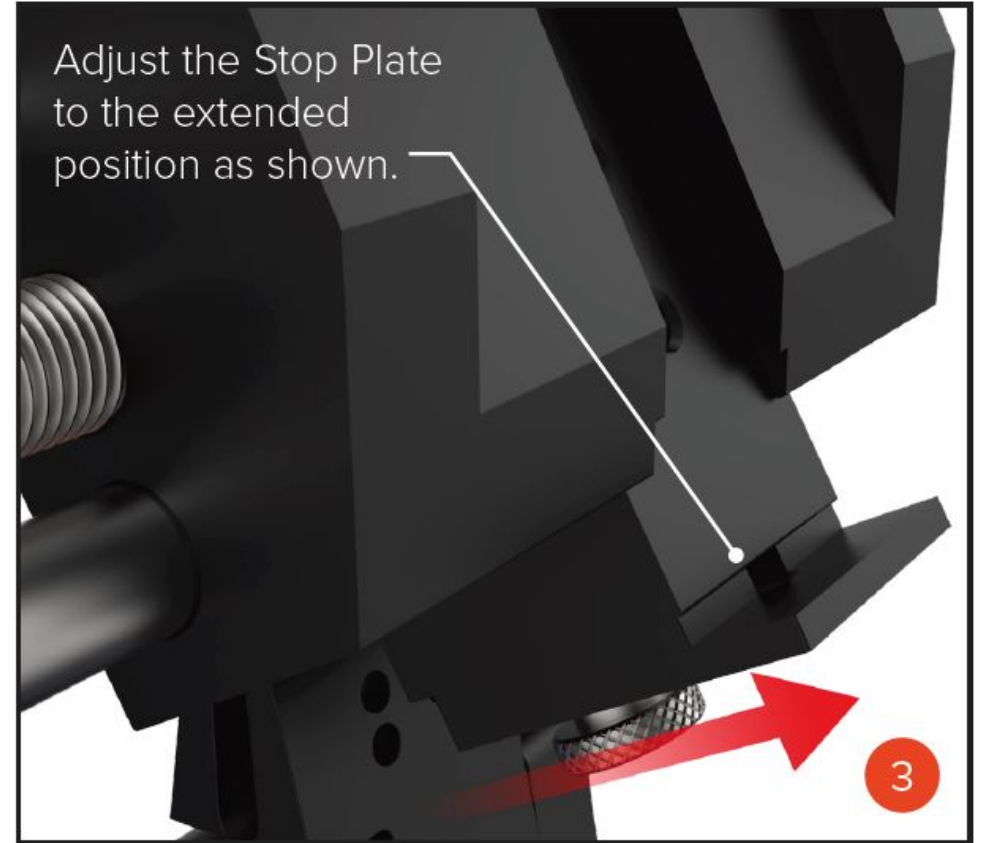
Wicked Edge

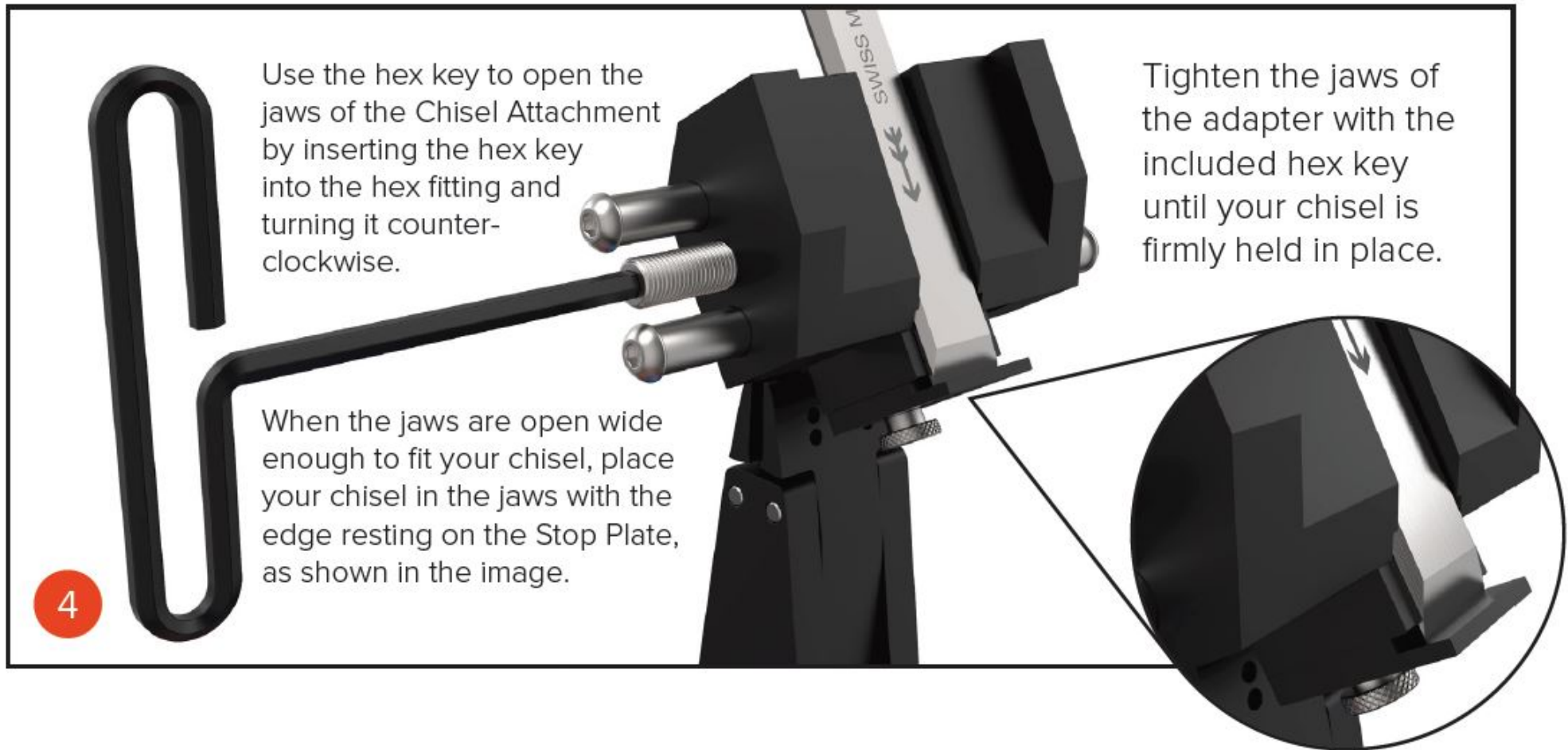
Chisel Attachment Instructions

Insert the Chisel Attachment in the vise of your sharpener with the Chisel Attachment's Jaws facing to the right and the hex pocket in the threaded bolt facing toward you, as shown in the image. Tighten your sharpener's vise so the attachment is firmly held in place.

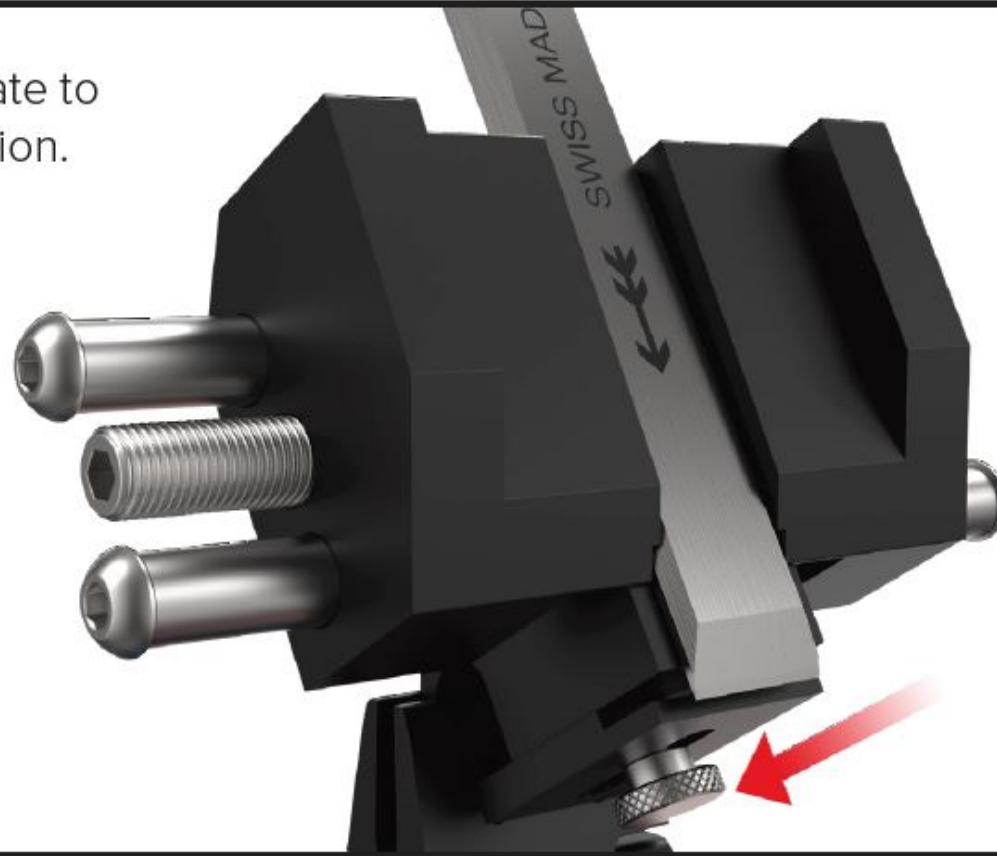


1

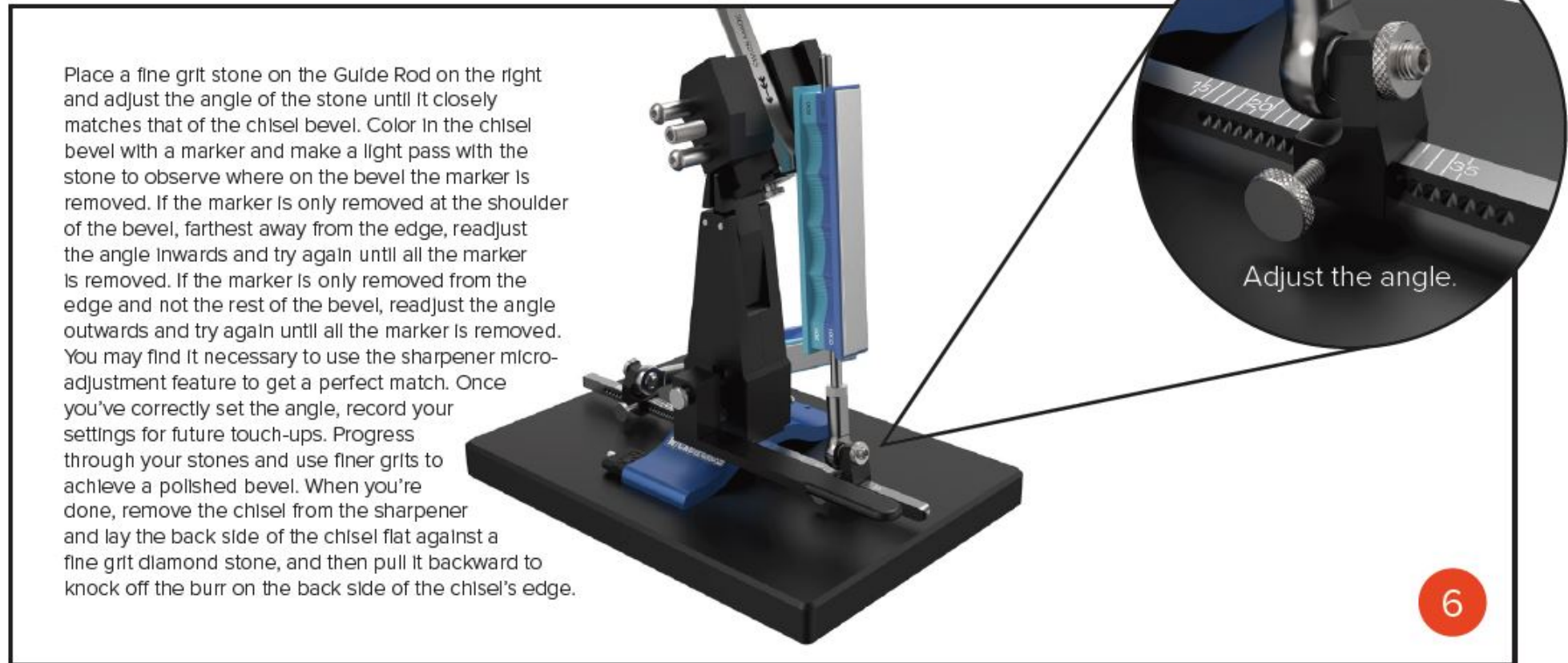




Adjust the Stop Plate to the retracted position.



5



<https://support.wickededgeusa.com/portal/en/kb/articles/how-to-use-your-wicked-edge-chisel-attachment>