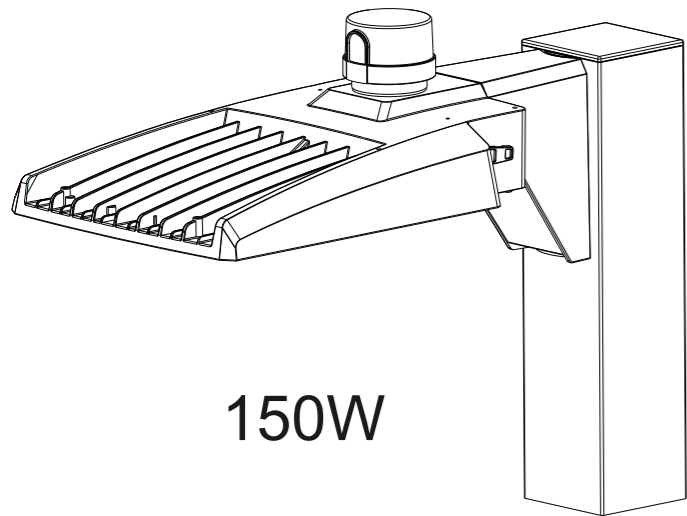


# LED Area Light

## Instruction Manual



### 3 Mounting options



150W

Distributed by: **ArcArcher**

380 W Muskegon St, Kent City, MI 49330 O: (616) 439-3014 arcarcher.com

### Installation Instructions

#### Physical Dimensions(mm/inch)

**WMPM-21H50K150W:**  
Dimmable Wall/Pole Mount 100-277VAC 150 W 21K Lumens

100W/150W

100W/150W

### WMPM-PHOTO100:

#### Wall/Pole Mount 100-277V Photocell, 3-Pin Twist Lock Receptacle and Photocell

#### Twist Lock Photocell

5pin or 7pin photocell socket →

Note: If the luminaire use 5 pin or 7 pin photocell socket, it need to plus a waterproof gasket between socket and photocell controller.

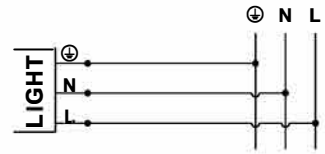
#### Bracket 1

### UB-UBRKT:

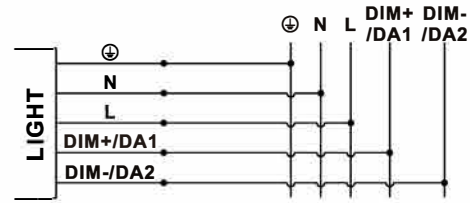
#### U Bracket Mount 100-300W Area Light

100W/150W/

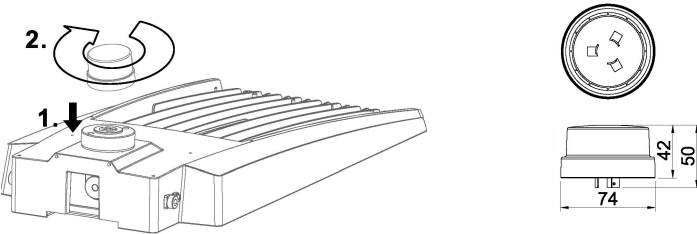
**NON-DIMMABLE**



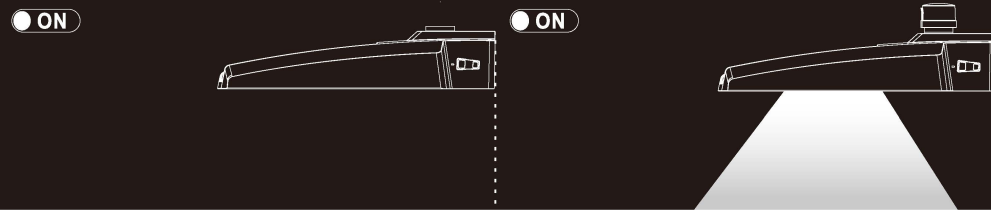
**DIMMABLE**



**Shorting cap**



Under the status of power-on, the light will not turn on without the shorting cap. It will turn on after installing the shorting cap.

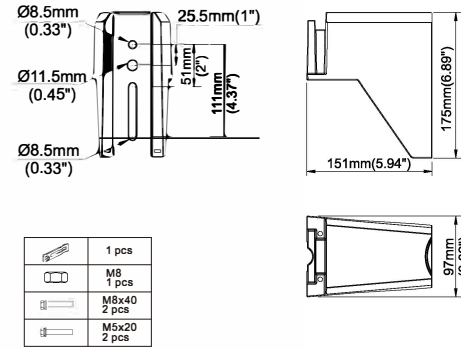


Product Specifications	100W/150W
Input Voltage	120-277VAC,
Power Frequency	50 / 60Hz
Outlook Dimensions	571x286x82 (22.48"x11.25"x3.22")
Luminaire Net Weight	4.2±0.3kg 4.3±0.3kg (9.26±0.66Lbs) (9.48±0.66Lbs)
Projected Area	0.163m <sup>2</sup> 0.190m <sup>2</sup>
Working Temperature	-30°C to +45°C(-22°F to +113°F)
Storing Temperature	-40°C to +70°C(-40°F to +158°F)

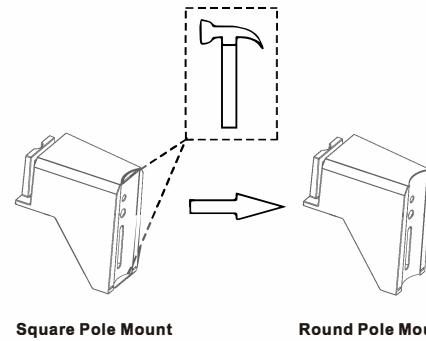
- This luminaire can be used outdoors.
- For type Y attachments:  
if the external flexible cable or cord of this luminaire is damaged, it shall be exclusively replaced by the manufacturer or his service agent or a similar qualified person in order to avoid hazard.
- The light source contained in this luminaire shall only be replaced by the manufacturer or his service agent or a similar qualified person.

**Bracket 2**

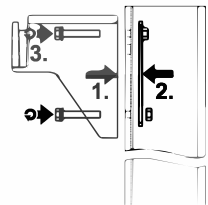
**PM-ARMNT:  
Pole Mount Side Arm Mount**



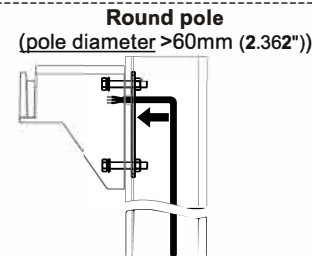
	1 pcs
	M8 1 pcs
	M8x40 2 pcs
	M5x20 2 pcs



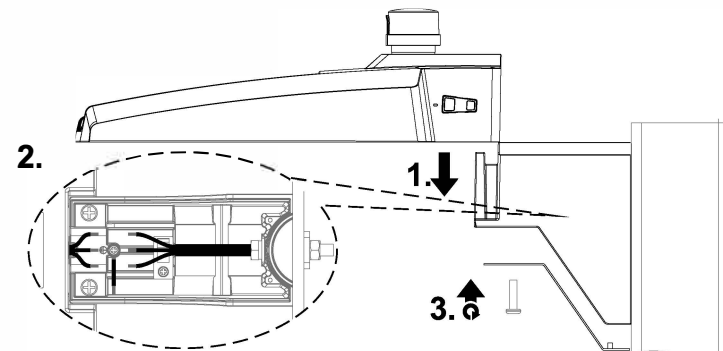
**1. ✂**



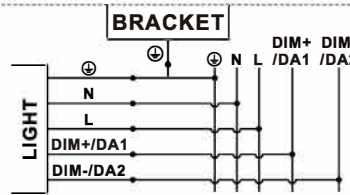
**2. ✂**



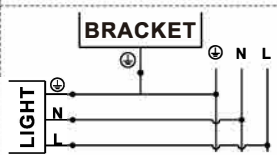
**3. ✂**



**DIMMABLE**

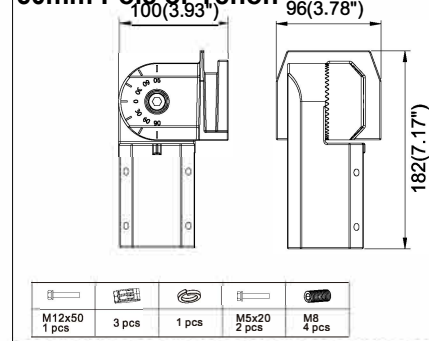


**NON-DIMMABLE**



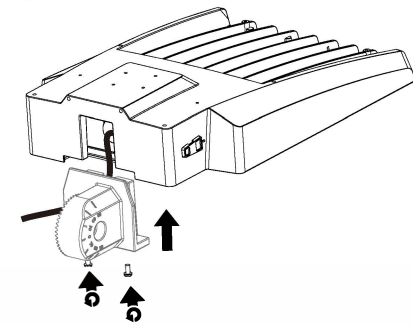
**Bracket 3**

**PM-SF60MM: Pole Mount Slip Fitter  
60mm Pole or Tenon**

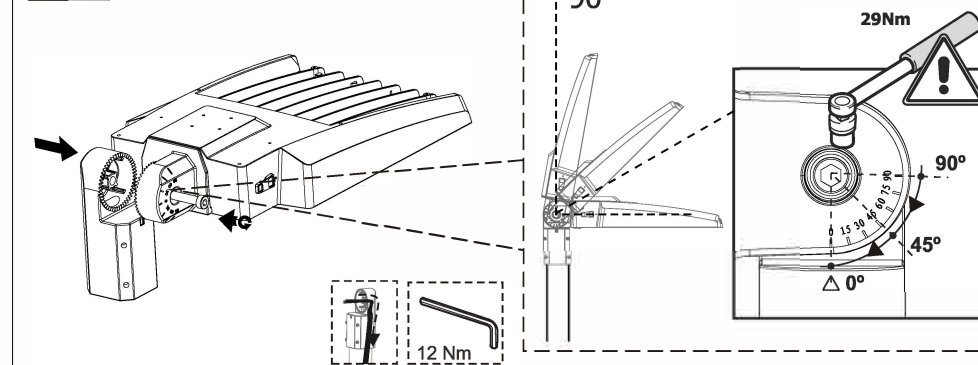


	M12x50 1 pcs		1 pcs		M5x20 2 pcs		M8 4 pcs
--	--------------	--	-------	--	-------------	--	----------

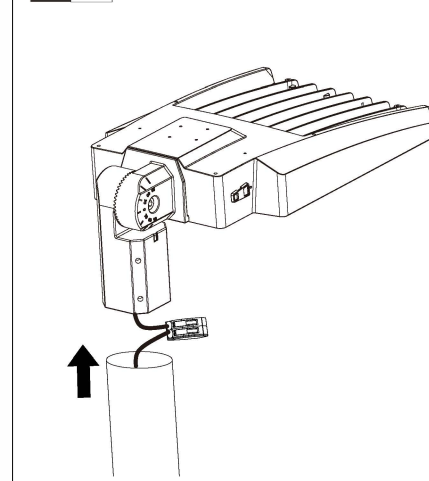
**1. ✂**



**2. ✂**



**3. ✂**



**4. ✂**

