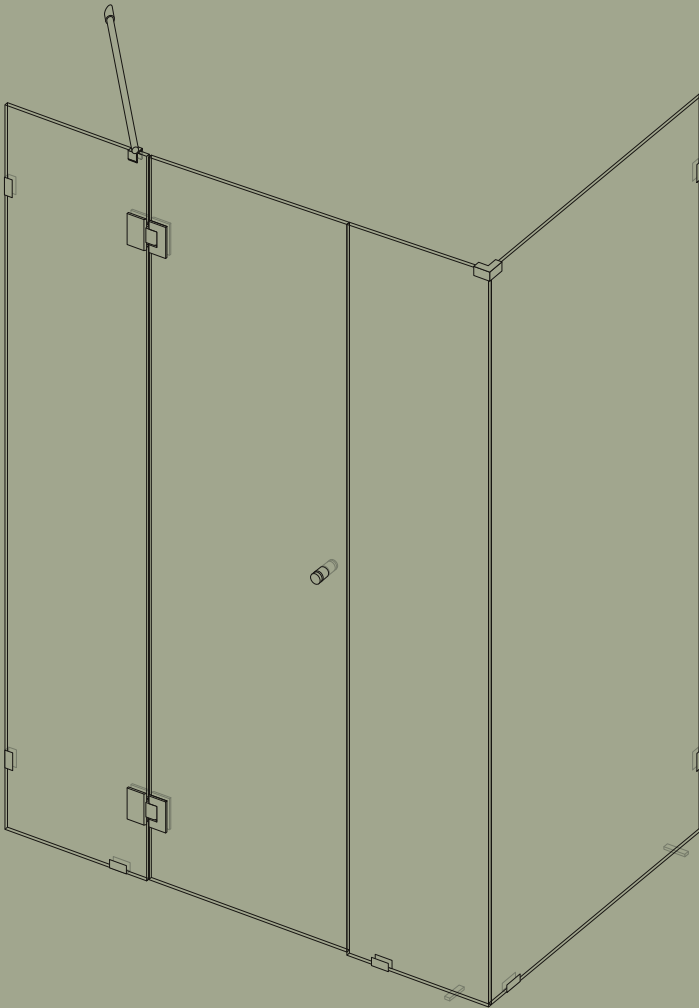


90GHF SERIES

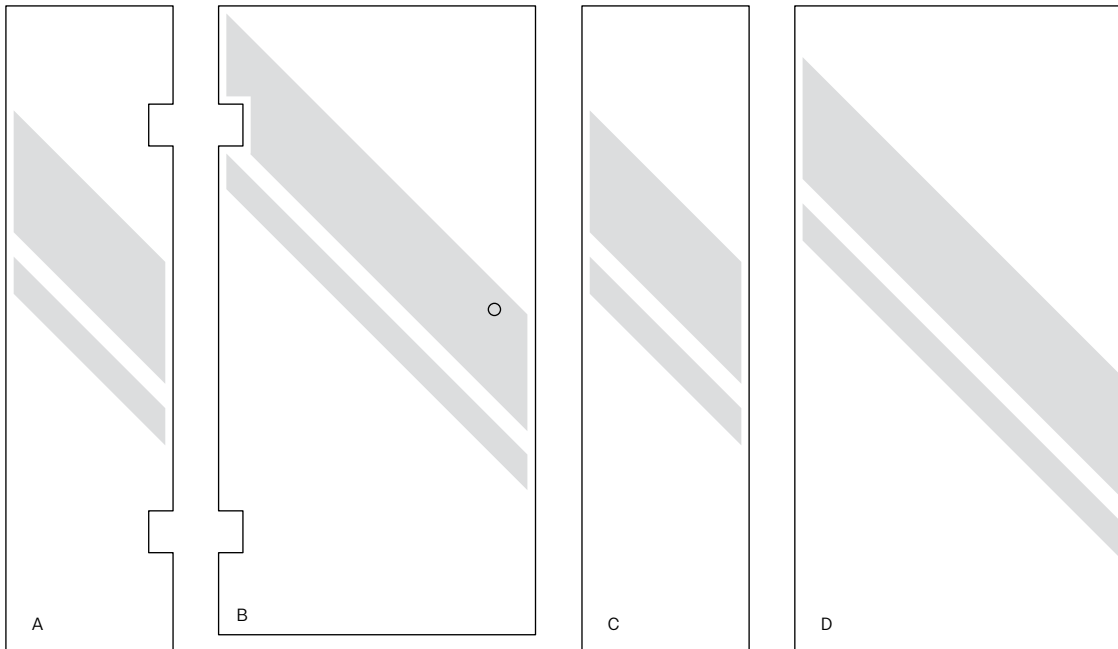
Installation Guide

Corner Shower Screen
Glass Hinged

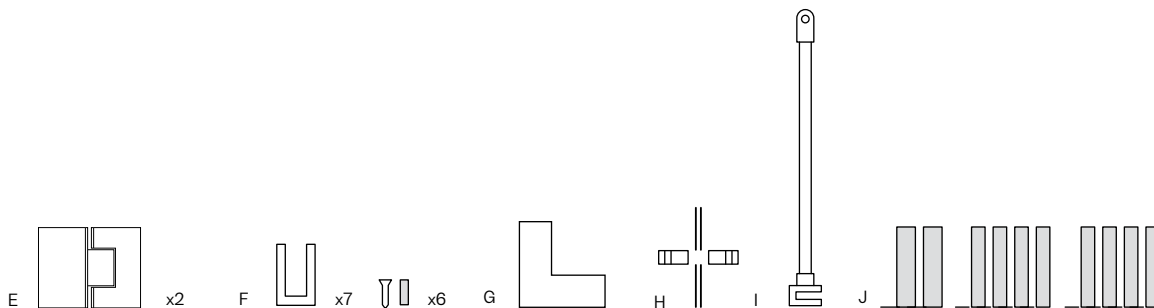
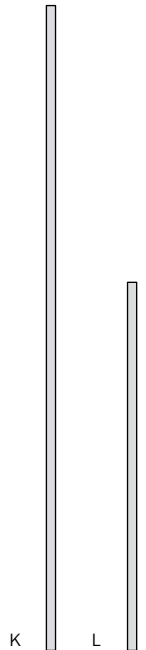


FUTUREGLASS

Included in your purchase:



Optional:



Included in your purchase Shipped in 5 separate boxes

- A** Hinge panel
- B** Door panel
- C** Fixed panel
- D** Return panel

- E** Hinges and hinge screws
- F** Clips, screws and anchors
- G** Corner Bracket
- H** Door Knob (Included with Door Knob models only)

- I** 45° rod, screw and anchor
- J** Rubber block set (various sizes)

Optional:

- K** Weather Strip (Door Panel)

- L** Bottom Sweep (Door Panel)

Thank you for your purchase.

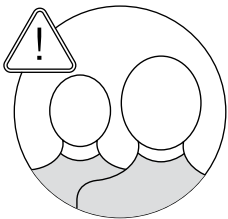
If for any reason you are having trouble with installation, or if the size of the product does not fit your designated space, please contact Future Glass directly and do not return this product to place of purchase. We will be able to exchange the panels or parts to suit your opening.

Future Glass takes pride in providing quality products and customer service. We want to ensure your happiness with your purchase for years to come. We have an extensive range of sizes, so no matter what your measurements are, Future Glass can supply the panel to fit!

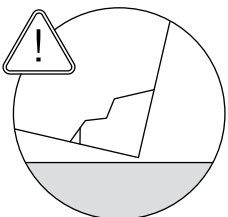
If you have any questions, please do not hesitate to reach out to us. Thank you again for choosing Future Glass!

Best Regards,

The Team at Future Glass
www.futureglass.com.au
futureglass@aquilia.com.au



2 person job: We highly recommend installation is carried out by two capable people, particularly to help maneuver and stabilise the glass panels during installation.

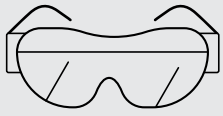


Caution: The most fragile parts of tempered glass panels are the corners. Therefore, it is critical you have the rubber blocks in place so the glass never touches the tile surface you are installing onto. Please make sure the glass is always on cardboard packaging or rubber blocks while out of the packaging prior/during install. Rubber block is provided in your hardware pack however you can use wood, cardboard or other rubber products to protect against breakage.

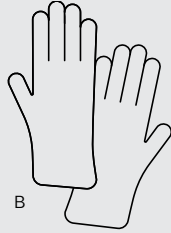


Attention installer: A light haze or smudging may be present on the coated glass panels upon delivery. This is easily removed with denatured or isopropyl alcohol and a good quality microfiber cloth, followed by a rinse of water. This can be done before or after installation.

Installation Guide



A



B

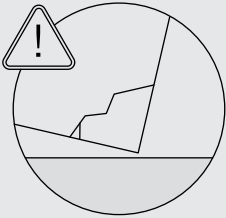
Safety.

- A Safety glasses/goggles
- B Gloves



Important: To protect yourself in the event of an accidental tempered glass breakage, it is critical that you wear the appropriate safety equipment whilst installing your shower screen. Please make sure that you wear both safety glasses/goggles & gloves whilst undertaking the installation. We have safe installation kits available for sale on our website.

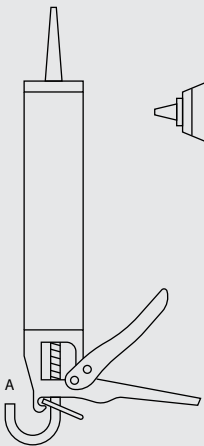
Protecting your Glass Panels.



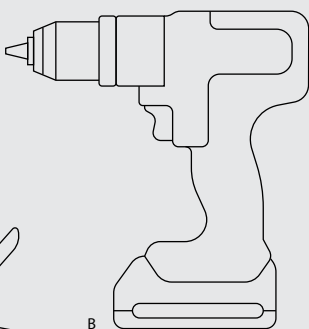
Important: Tempered safety glass is designed to shatter on impact with hard surfaces (such as tiles, shower bases, or concrete) and the most fragile parts of tempered glass panels are the corners.

When moving your glass panels, it is critical that the glass never touches the tile surface you are installing onto.

Please make sure the glass is always resting on cardboard packaging or rubber blocks while out of the packaging prior/during install. Protective honeycomb cardboard packaging can be used from the packaging your glass panel arrived in, and rubber blocks are supplied in your hardware pack.



A



B



C



D



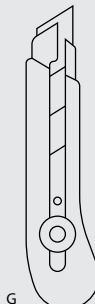
3mm

E



6mm

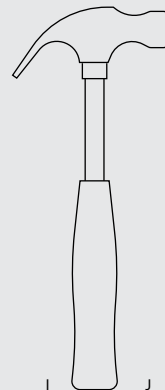
F



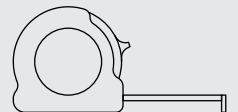
G



H



I



J

Tools required for install.

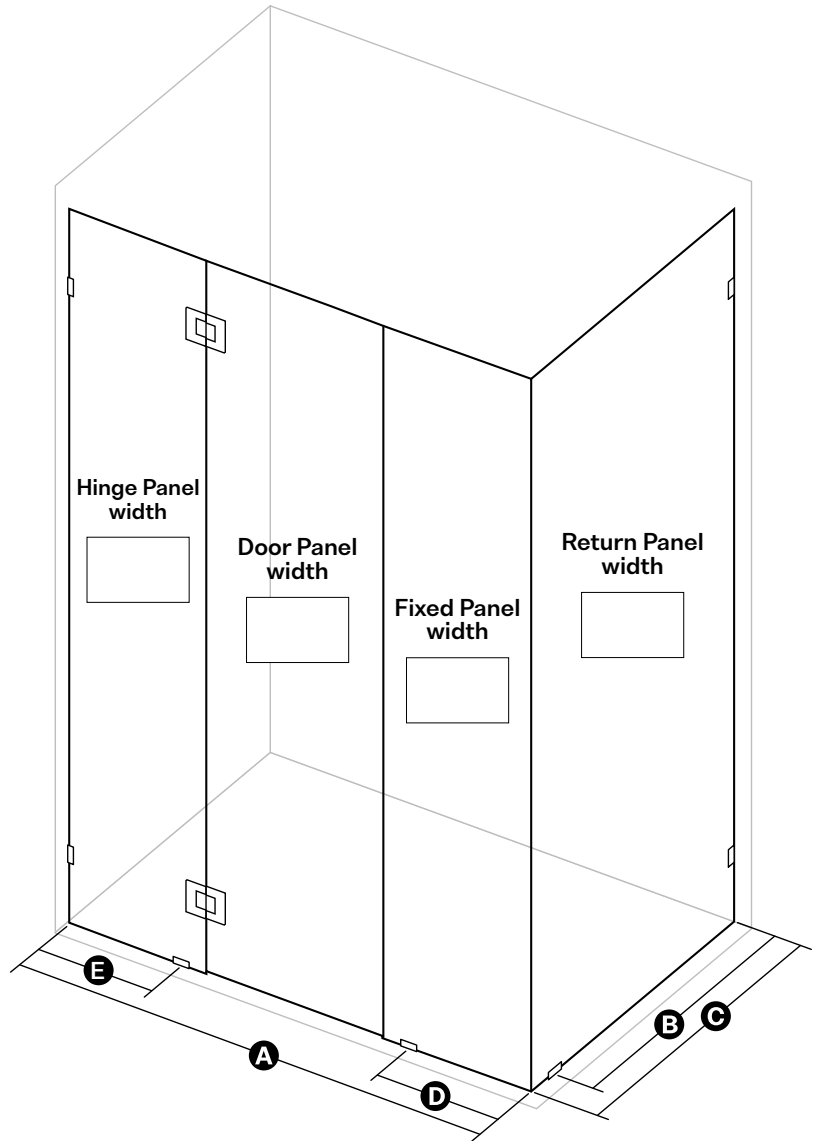
- A Silicone and caulking gun
- B Power drill
- C Phillips head screwdriver
- D Pencil
- E 3mm tile drill bit
- F 6mm tile drill bit
- G Utility knife
- H Level
- I Hammer
- J Tape measure



Important: Silicone is necessary for sealing and securing the stationary Hinge Panel and Fixed Panel. Silicone is not provided and will need to be purchased separately. We recommend using a professional grade, clear, mold resistant silicone which can be purchased at your local hardware store.

Before You Start

- Read over the installation guide and calculate your measurements before you start your installation.
- Write down your Panel sizes so you can easily refer to your notes during the installation process. Panel sizes will be marked on each box.
- Be sure all of your shower measurements match your delivered items.
- Take note of any uneven or out-of-plumb areas of your shower that may need attention.
- NOTE: If your Hinge Panel Wall is out of plumb and leans inward (at the top) towards your Return Panel, add the out of plumb measurement to value A below.



Some important measurements.

Some measurements will need to be made after specific steps during the installation process.

A Return Panel center line:

Hinge Panel width + Door Panel width +
Fixed Panel width + 10mm

=

B Return Panel Bottom Clip location:

Return Panel width from wall - 80mm

=

C Fixed Panel center line:

Return Panel width from wall + 5mm
from the exterior side of Return Panel

=

D Fixed Panel Bottom Clip location:

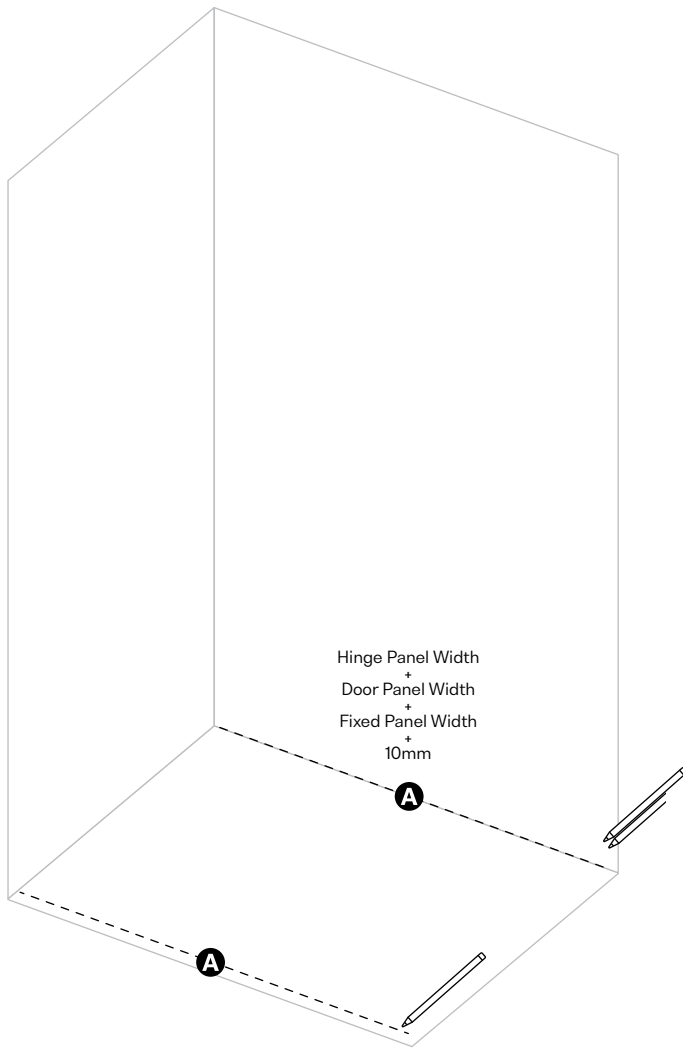
Fixed Panel width - 80mm from the exterior side
of Return Panel

=

E Hinge Panel Bottom Clip location:

Hinge Panel width from wall - 80mm

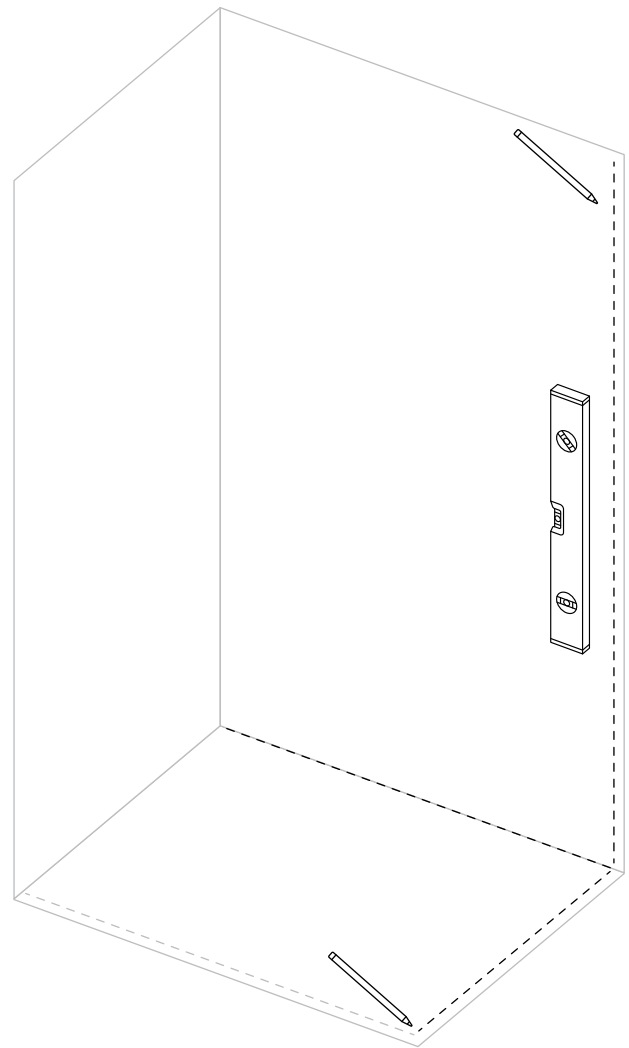
=



01

Measure and mark the Return Panel center line starting point.

From the opposite wall of where you intend to place the Return Panel, add the measurements of Hinge Panel width plus the Door Panel width plus the Fixed Panel width and add an additional 10mm. This is the location of the starting point to mark the center line for the Return Panel.



02

Mark the Return Panel center line.

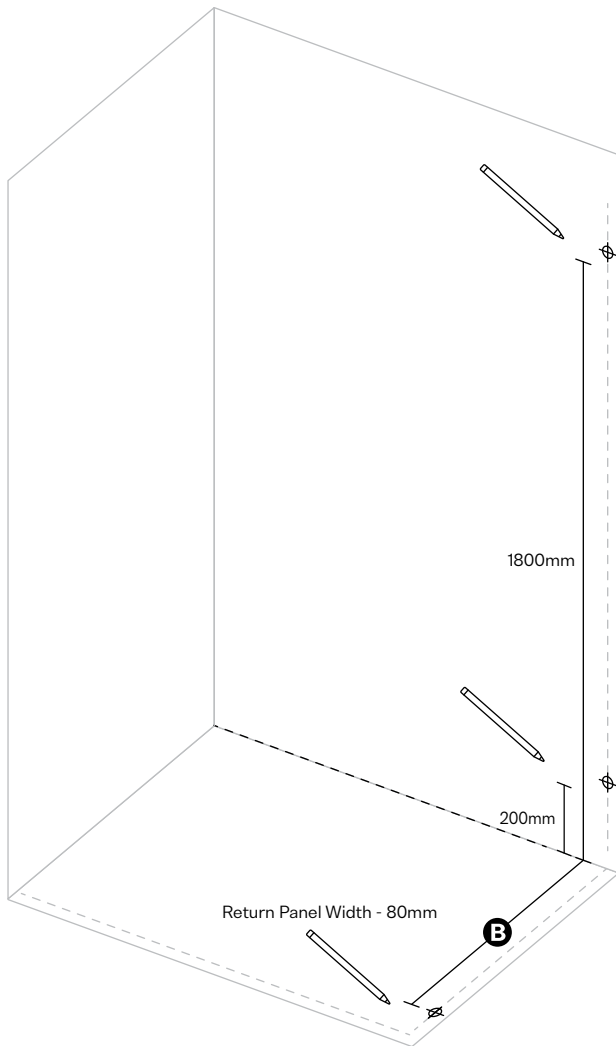
Use a level and from your marked starting point, mark a line up the wall on the side you wish to place the Return Panel. This is your center line for the Return Panel and Wall Clips. Along the threshold, draw a line equal measure. This is your floor center line for the Return Panel Bottom Clip or Rubber Block.

Tip: We recommend using a pencil so this can be easily removed.



Important: The vertical line must be perfectly level for proper installation.



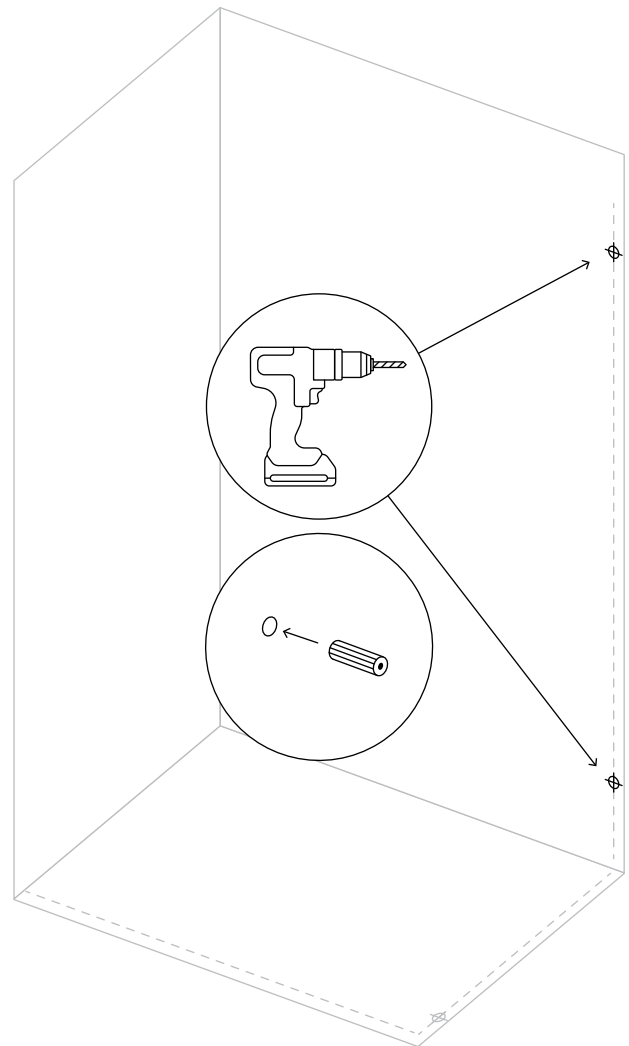


03

Mark the three Return Panel Clip locations.

- 1 1800mm from the threshold up the Return Panel vertical center line.
- 2 200mm from the base/floor up the Return Panel vertical center line.
- 3 Measure width of Return Panel and subtract 80mm - Measure this distance out from wall and mark on the base/floor.

Important: The third Clip for the bottom of the Panel is optional. If you prefer not to drill into your fiberglass shower base, we recommend not using the Bottom Clip. See step 6 for more details.



04

Drill the holes for the Return Panel Wall Clips.

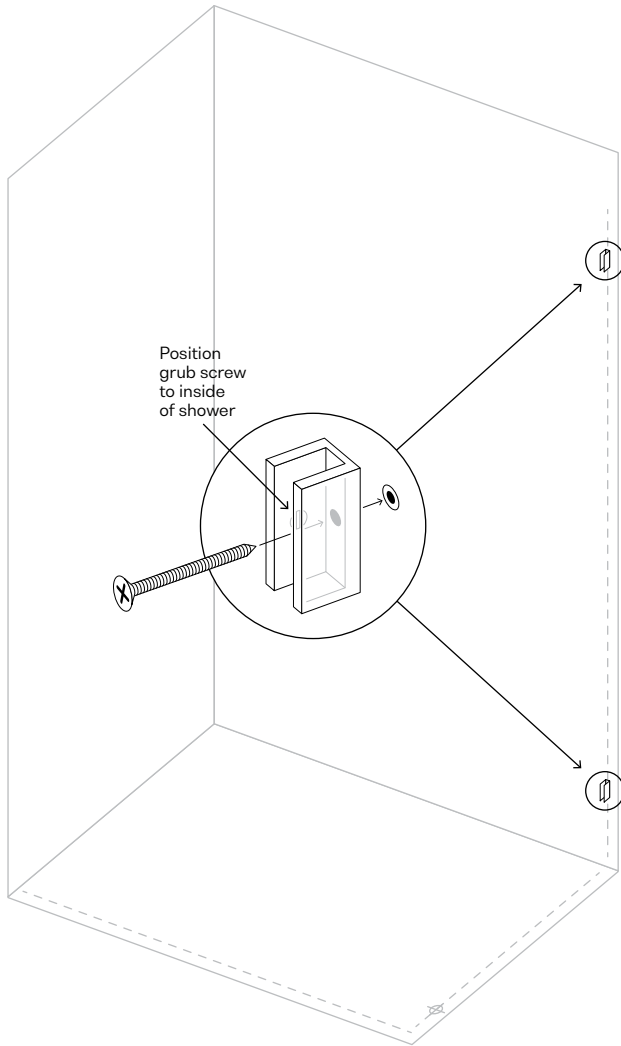
Using a 6mm drill bit, drill holes and install the wall anchors. Trim excess from the wall anchors hanging out of hole with utility knife so clips sit flush to wall.

If the shower wall is fiberglass, use a 3mm drill bit for the wall holes. You will not use the green Anchor but rather screw the Wall Clips directly into the fiberglass shower wall.

Important: If installing an enclosure with fiberglass walls, a stud *must* be directly behind where the panels will be installed.

An 3mm tile drill bit can be used to create pilot holes for a tiled enclosure, but this is optional.




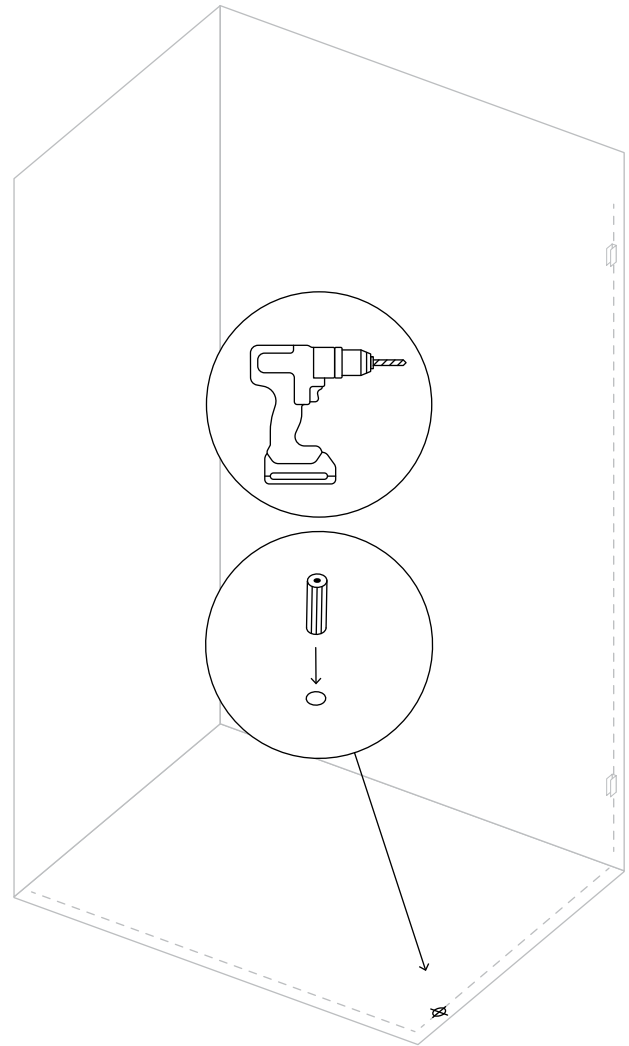


05

Fix Wall Clips for Return Panel.

Place Wall Clips over holes and drill in screws to secure the Clips. Be sure grub screws on Clips are facing the shower interior. Make sure the clips are securely tightened to the wall.

Important: Grub screws in Clips must have rubber tips so it can contact glass panel without damage. Please contact us if grub screws are missing rubber tips.

06

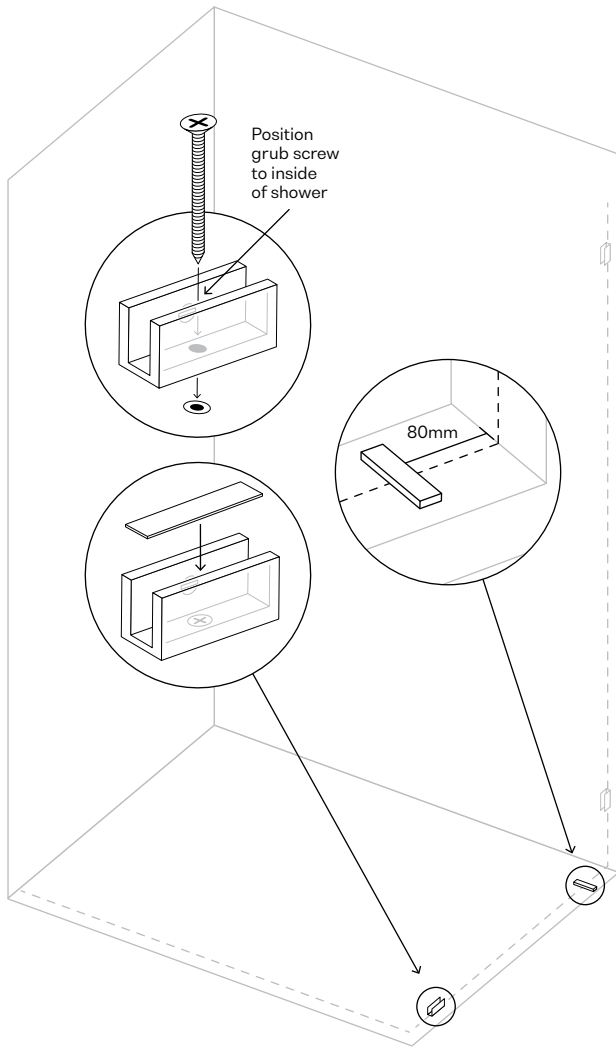
Drill the hole for Return Panel Bottom Clip.

If you are not drilling into your shower base and prefer the Rubber Blocks option instead of using the Bottom Clip, please go to step 9.

If the shower base is fiberglass, use a 3mm drill bit for the third hole. You will not use the Wall Anchor but rather screw the Bottom Clip directly into the fiberglass base.

If the threshold is tiled, use the same 6mm tile drill bit to drill the third hole on the threshold. Install the anchor and trim excess from the anchor hanging out of hole with utility knife so your clips can sit flush to threshold.

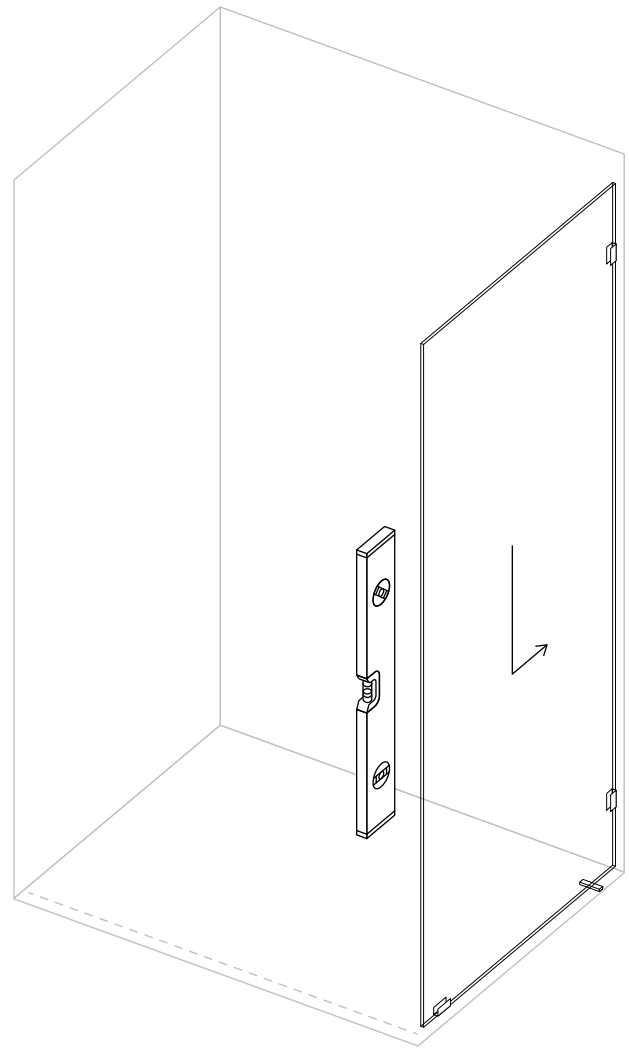
Be sure to put a dab of silicone inside hole drilled for the Bottom Clip.



07

Install Return Panel Bottom Clip and Rubber Block.

Install Return Panel Bottom Clip and place a 2mm rubber block inside the Bottom Clip to protect Return Panel during installation. Place 3mm thick Rubber Block provided 80mm in from where the Return Panel and wall meet and where the Return Panel will sit on the tile or threshold.

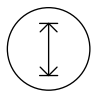


08

Set the Return Panel in place.

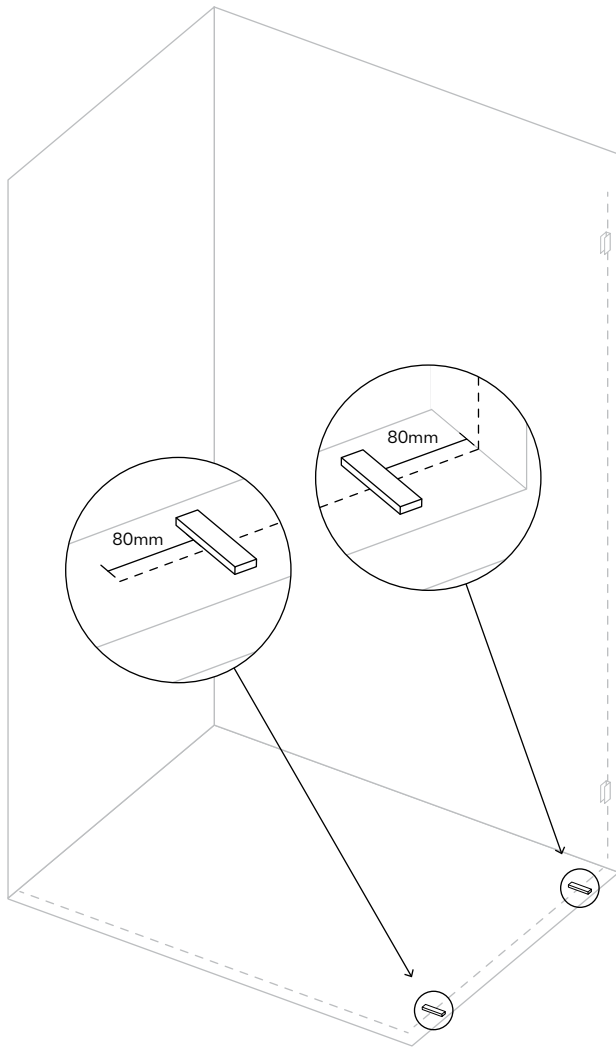
Carefully place the Return Panel on to the Rubber Blocks, into the Bottom Clip and slot it into the Wall Clips. On the edge that will meet the Fixed Panel, use a level to make sure the Return Panel is level vertically and tighten Clip screws.

Tip: Use additional Rubber Blocks on existing blocks to raise/drop the Return Panel if required.



Important: There is stamp on the corner of all Future Glass glass panels to certify it is tempered safety glass. We recommend that panels be installed with the stamp at the bottom corner closest to the wall where it is less noticeable. On Door Panels, the stamp must be at the bottom of your enclosure to align properly. Note: the stamp is baked on during the tempering process and cannot be removed.



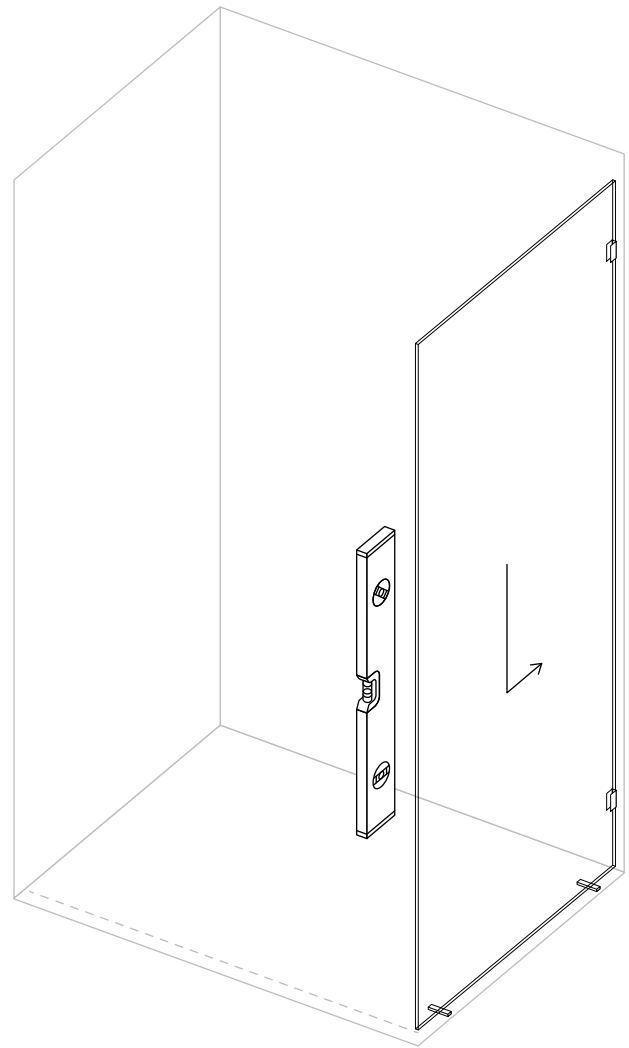


09

Measure and place Rubber Blocks.

If you are not drilling into the shower base and prefer the Rubber Blocks option instead of using the Bottom Clip, continue here.

Measure 80mm from wall and place the first 3mm thick Rubber Block. Take the Return Panel width and subtract 80mm and measure from the wall and place the second 3mm thick Rubber Block. The Return Panel will rest on the Rubber Blocks.

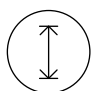


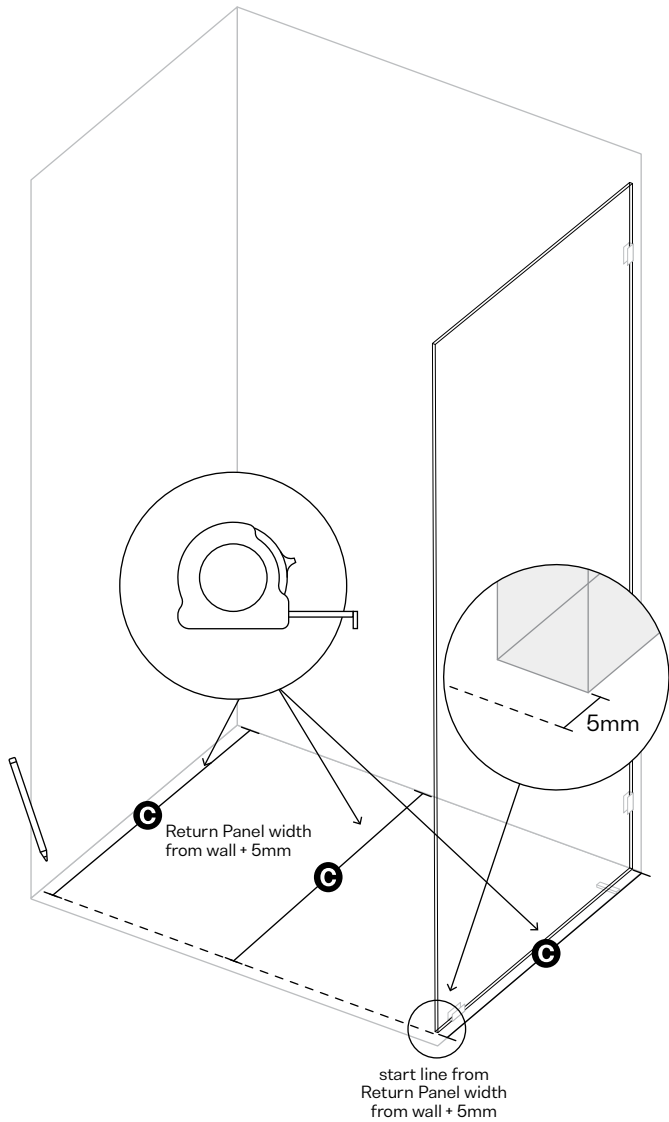
10

Set the Return Panel in place.

Carefully place the Return Panel on to the Rubber Blocks and slot it into the Wall Clips. On the edge that will meet the Fixed Panel, use a level to make sure the Return Panel is level vertically and tighten Clip screws.

Tip: Use additional Rubber Blocks on existing blocks to raise/drop the Return Panel if required.

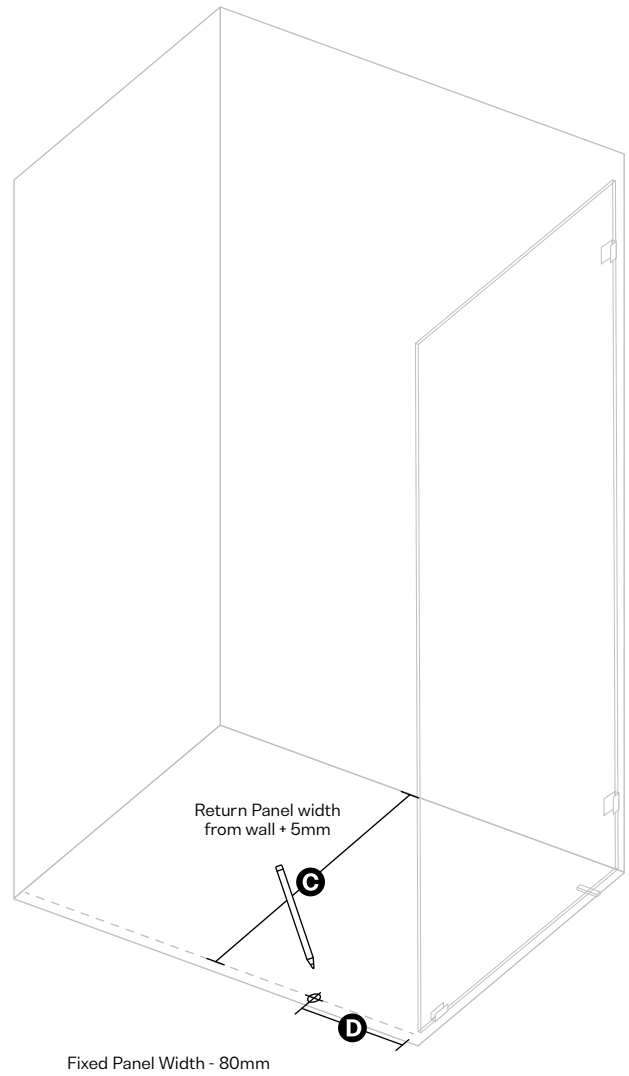




11

Mark the Fixed Panel center line.

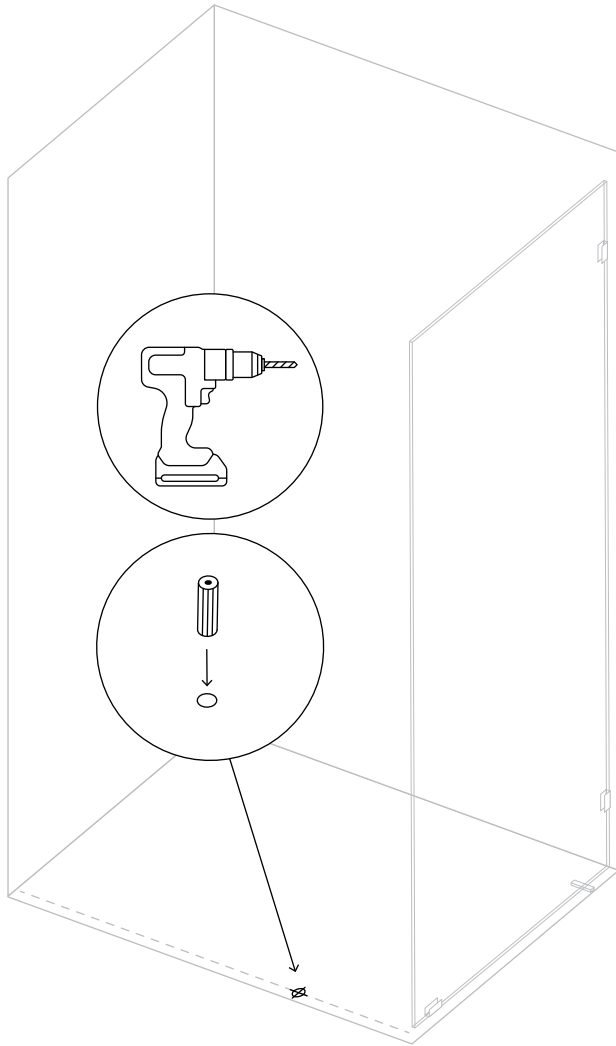
The Fixed Panel outside edge lines up with the exterior side of the Return Panel. Measure from where the Return Panel meets the wall the entire width of the Return Panel and add 5mm. This is the starting point of the Fixed Panel center line.



12

Mark the Fixed Panel Clip location.

Measure the width of the Fixed Panel minus 80mm to get the initial measurement for the Fixed Panel Bottom Clip. Measure this distance from the exterior side of the Return Panel toward the door panel wall. Mark with a pencil. This will give you the center point for the Clip measured in the previous step.



13

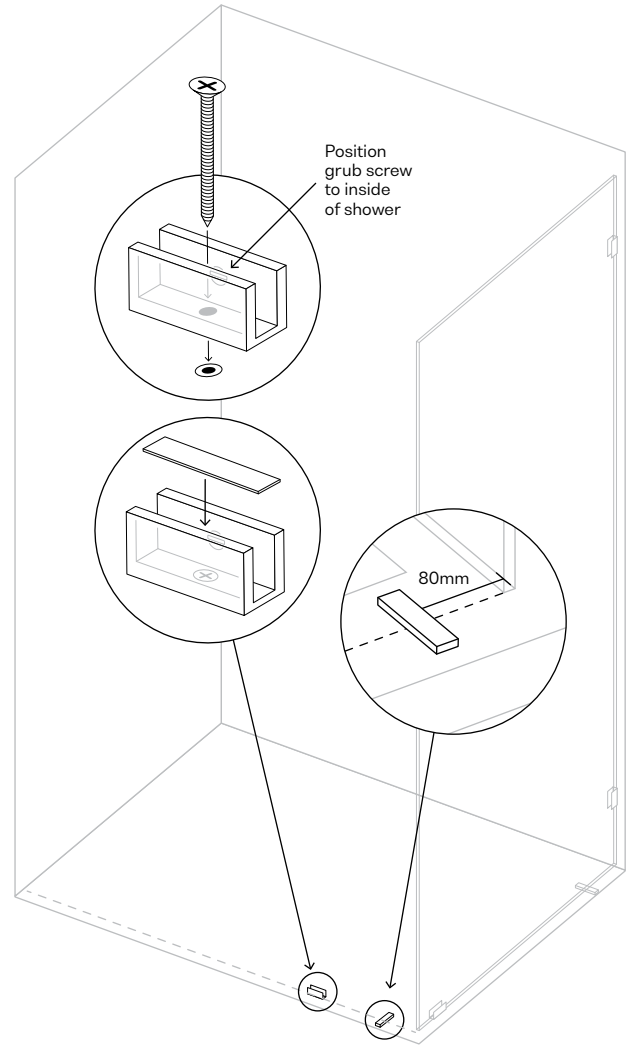
Drill the hole for Fixed Panel Bottom Clip.

If you are not drilling into your shower base and prefer the Rubber Blocks option instead of using the Bottom Clip, please go to step 16.

If the shower base is fiberglass, use a 3mm drill bit for the third hole. You will not use the Wall Anchor but rather screw the Bottom Clip directly into the fiberglass base.

If the base is tiled, use the same 6mm tile drill bit to drill the holes. Install the anchor and trim excess from the anchor hanging out of hole with utility knife so your clips can sit flush to base.

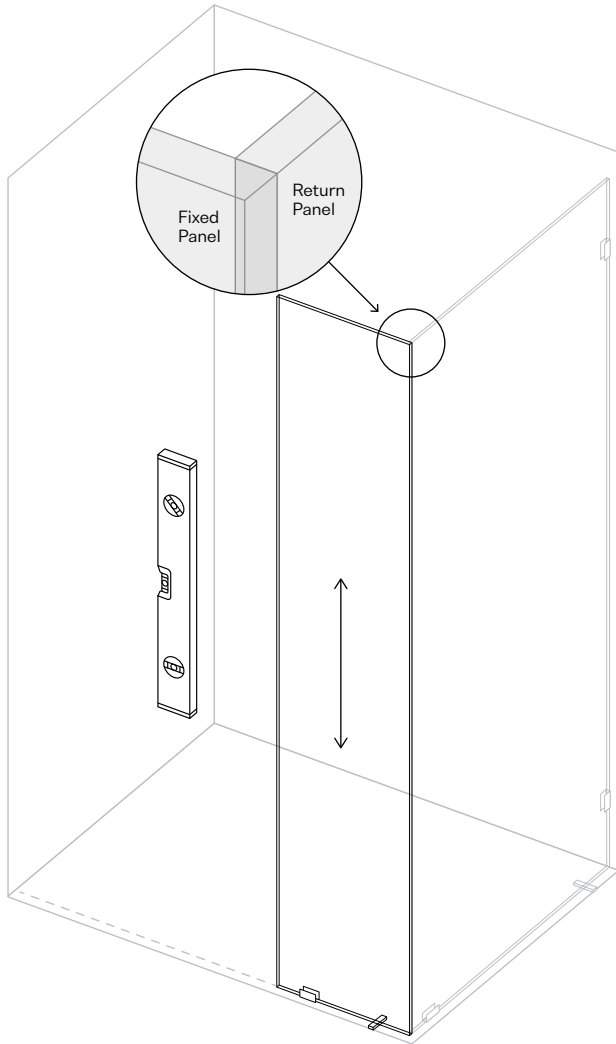
Be sure to put a dab of silicone inside hole drilled for the Bottom Clip.



14

Install Fixed Panel Bottom Clip and Rubber Block.

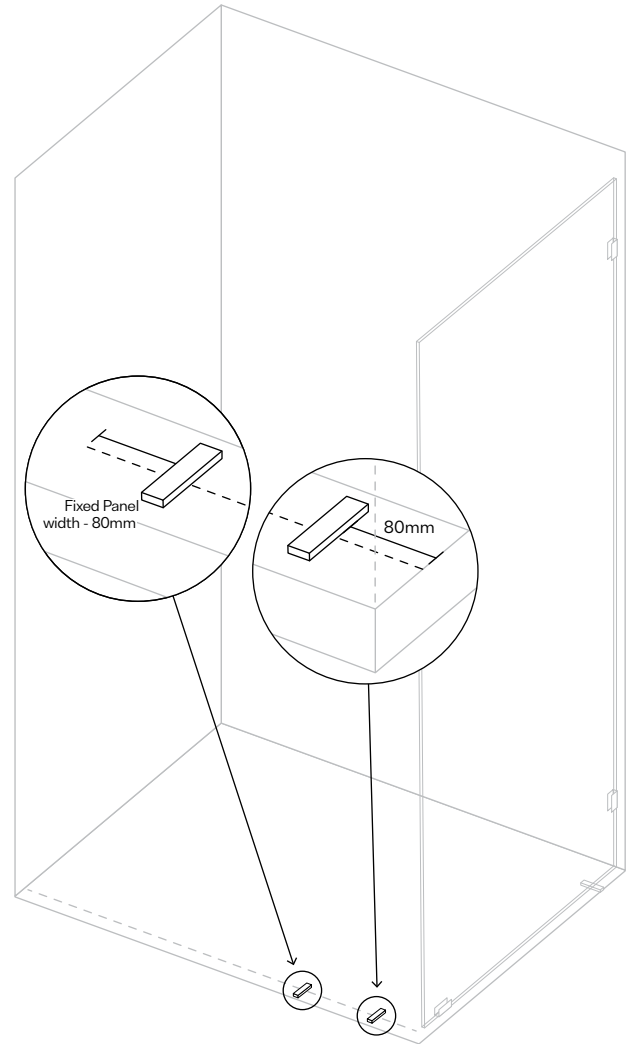
Install Fixed Panel Bottom Clip and place a 3mm rubber block inside the Bottom Clip to protect Fixed Panel during installation. Place 2mm thick Rubber Block provided 80mm in from the Return Panel exterior side and where the Fixed Panel will sit on the tile or base.



15

Set the Fixed Panel in place.

Carefully place the Fixed Panel on to the Rubber Block and into the Bottom Clip. Make sure the Fixed Panel edge that will meet the Return Panel is flush with the Return Panel exterior side from top to bottom. Use a level to make sure the Fixed Panel is level and the top edge is level with the top edge of the Return Panel. Make sure that someone is holding the Fixed Panel in place until the 90° Clamping Bracket has been installed and tightened in the next step.

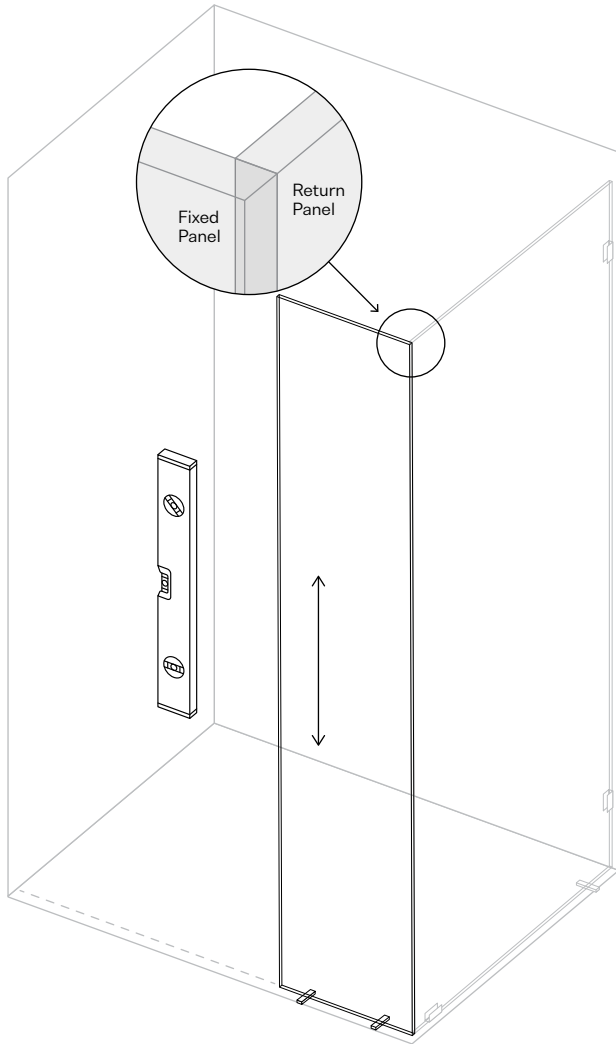


16

Measure and place Rubber Blocks.

If you are not drilling into the shower base and prefer the Rubber Blocks option instead of using the Bottom Clip, continue here. Otherwise, proceed to Step 18.

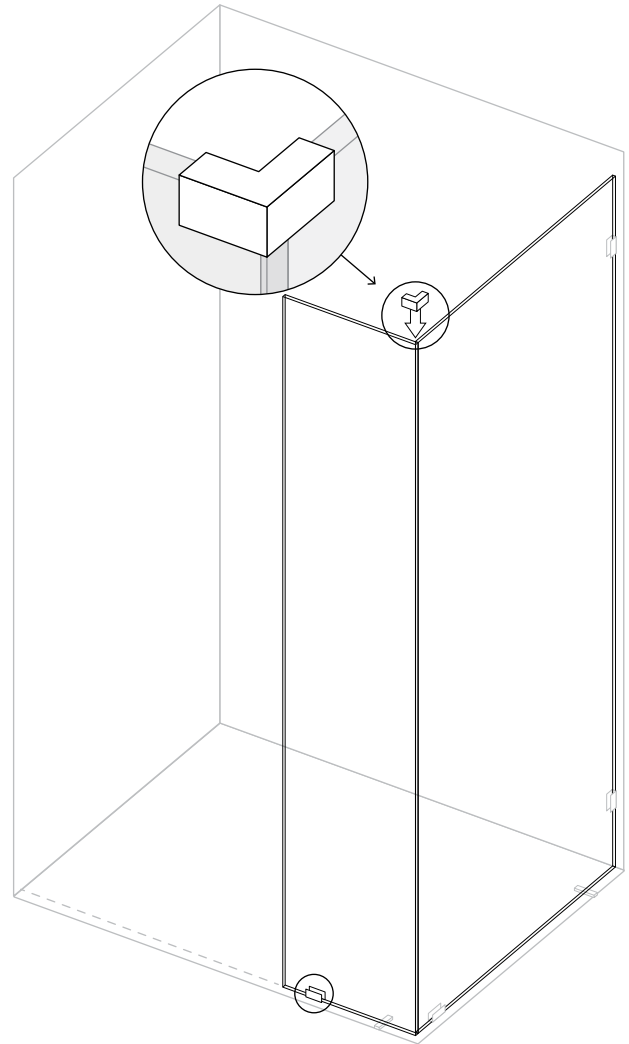
Measure 80mm from Return Panel and place the first 3mm thick Rubber Block. Take the Fixed Panel width and subtract 80mm and place the second 3mm thick Rubber Block. The Fixed Panel will rest on the Rubber Blocks.



17

Set the Fixed Panel in place.

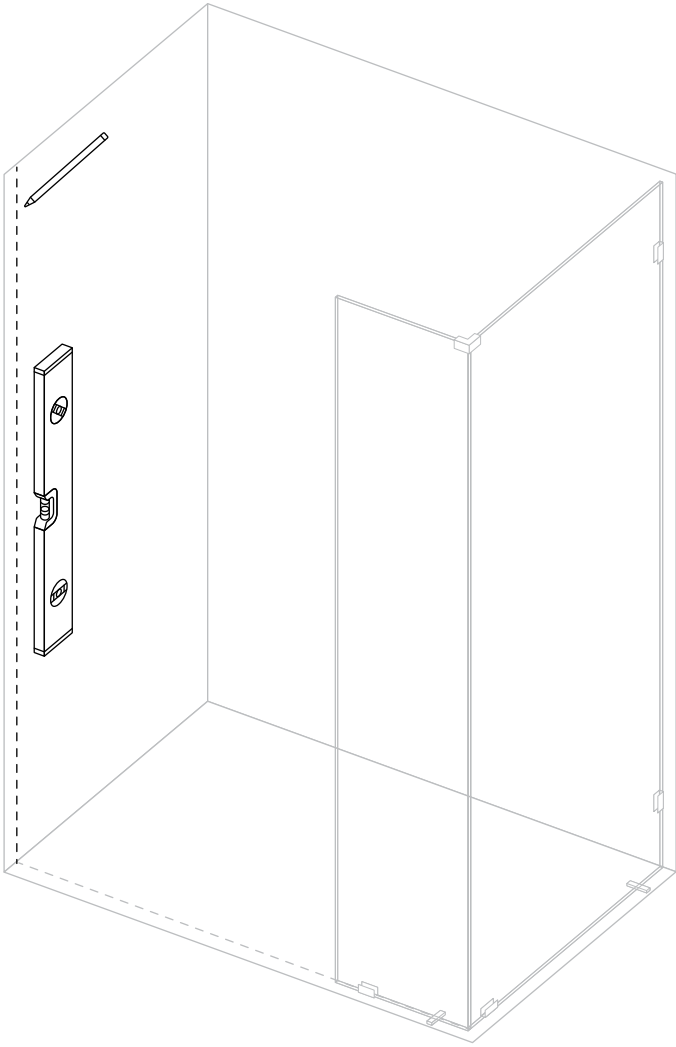
Carefully place the Fixed Panel on to the Rubber Blocks. Make sure the Fixed Panel edge that will meet the Return Panel is flush with the Return Panel exterior side from top to bottom. Use a level to make sure the Fixed Panel is level and the top edge is level with the top edge of the Return Panel. Make sure that someone is holding the Fixed Panel in place until the 90° Clamping Bracket has been installed and tightened in the next step.



18

Install 90° Clamping Bracket and tighten the Fixed Panel Bottom Clip.

Slide the 90° clamping bracket over the top corner where the Return Panel and Fixed Panel meet. Tighten the screws so it is very firmly clamping both Panels. Tighten the Fixed Panel Bottom Clip if you opted for the Bottom Clip option.


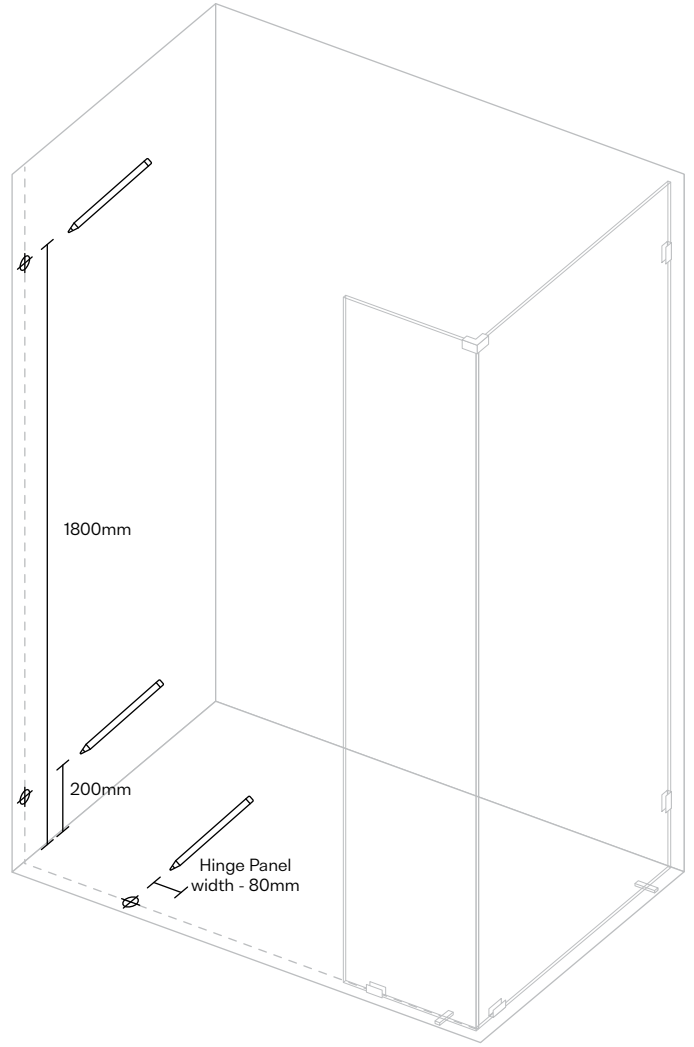


19

Measure and mark the Panel locations.

Draw a level line up the Hinge Panel wall from the line on your threshold that you originally marked for your Fixed Panel. This is your center line for the Clips.

Tip: We recommend marking with a pencil for easy removal.





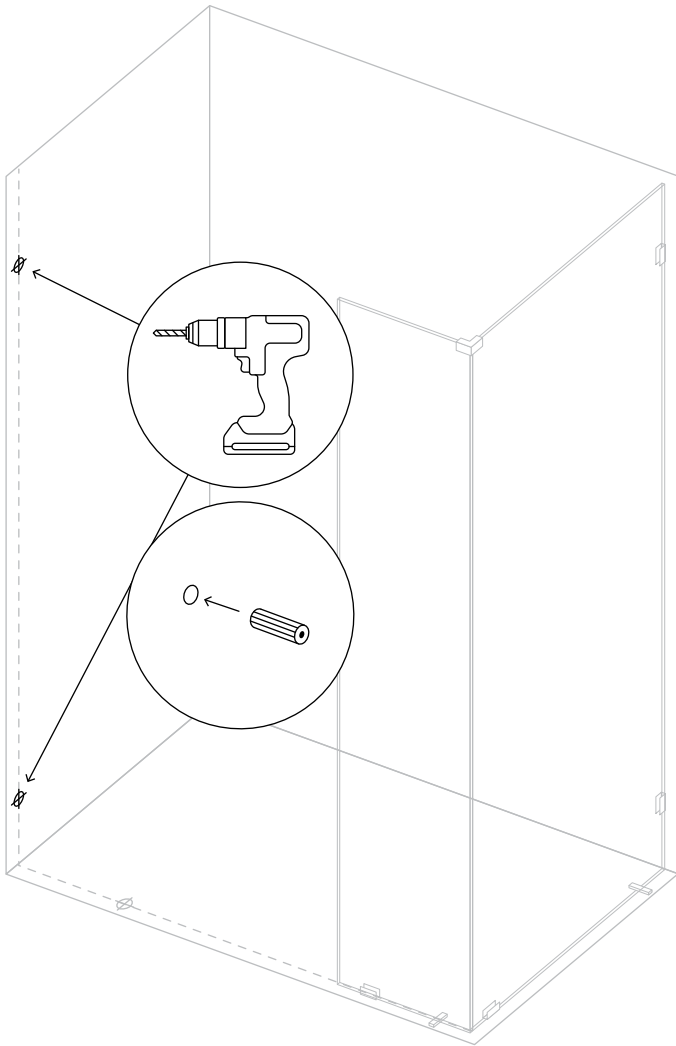
20

Mark the three Clip locations.

- A** 1800mm from the floor, up the vertical line on both walls.
- B** 200mm from the floor, up the vertical line on both walls.
- C** Measure width of Hinge Panel and subtract 80mm – measure this distance out from wall and mark on threshold.

Important: The Bottom Clip for the Hinge Panel is optional. If you prefer not to drill into your fiberglass shower base, see step 26.





21

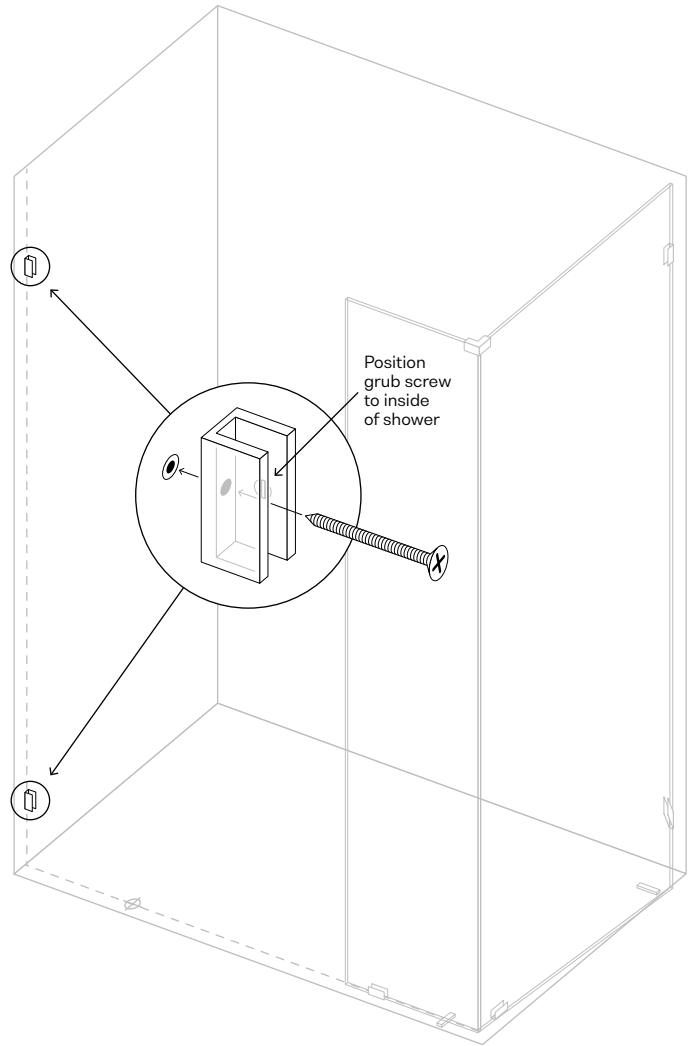
Drill holes for Wall Clips.

Using a 6mm drill bit, drill holes and install the Wall Anchors. Trim excess from the Wall Anchors hanging out of hole with utility knife so Clips sit flush to wall.

If the shower wall is fiberglass, use a 3mm drill bit for the wall holes. You will not use the Wall Anchor but rather screw the Wall Clips directly into the fiberglass shower wall.

Important: If installing an enclosure with fiberglass walls, a stud *must* be directly behind where the panel will be installed.

A 3mm tile drill bit can be used to create pilot holes for a tiled enclosure, but this is optional.



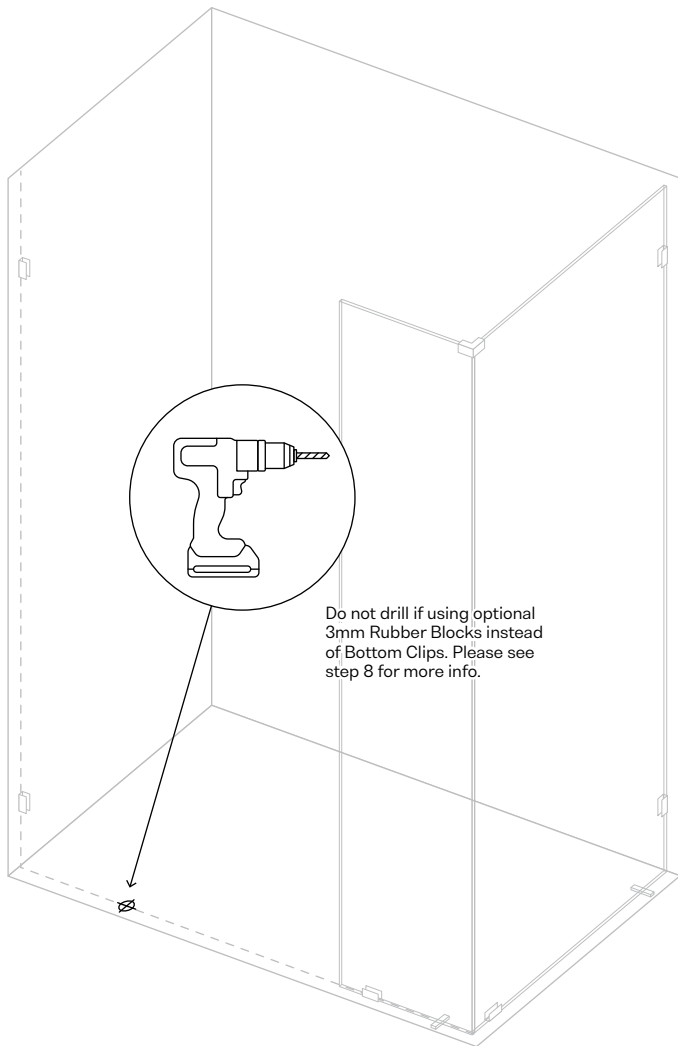
22

Fix Wall Clips for Hinge Panel and Fixed Panel.

Place Wall Clips over holes and drill in screws to secure the Clips. Be sure grub screws on Clips are facing the shower interior. Make sure the clips are securely tightened to the wall.

Important: Grub screws in Clips must have rubber tips so it can contact glass panels without damage. Please contact us if grub screws are missing rubber tips.





23

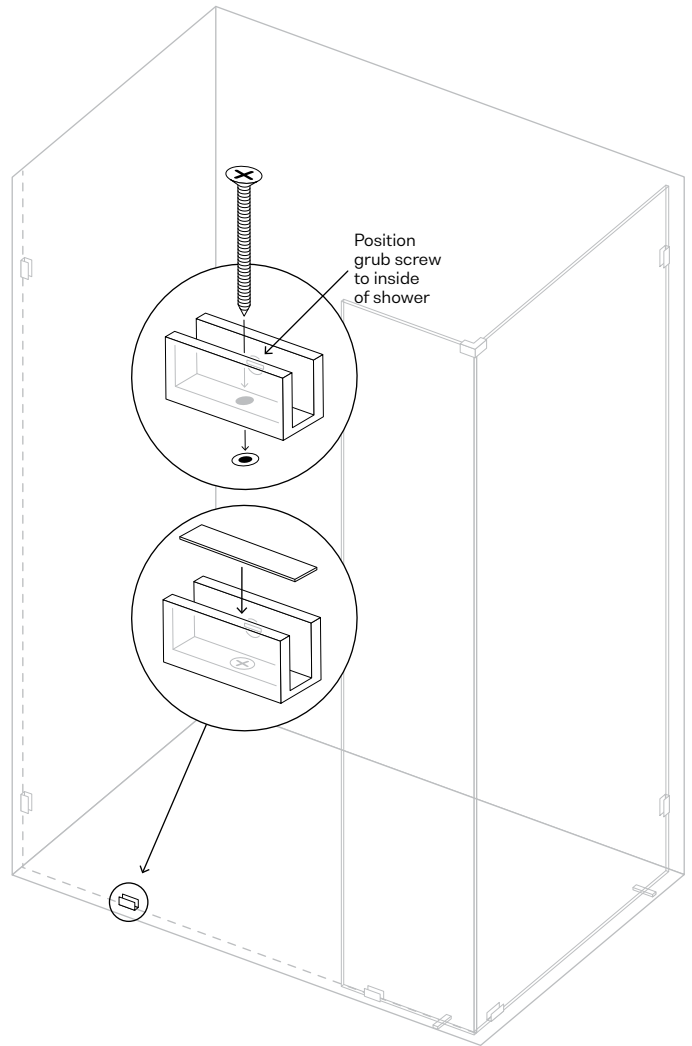
Drill hole for Bottom Clips option.

If you are not drilling into your shower base and prefer the Rubber Blocks option instead of using the Bottom Clips, please go to step 26.

If the shower base is fiberglass, use a 3mm drill bit for the third hole. You will not use the Wall Anchor but rather screw the Bottom Clip directly into the fiberglass base.

If the threshold is tiled, use the same 6mm tile drill bit to drill the third hole on the threshold. Insert Anchor and trim excess hanging out of hole with utility knife.

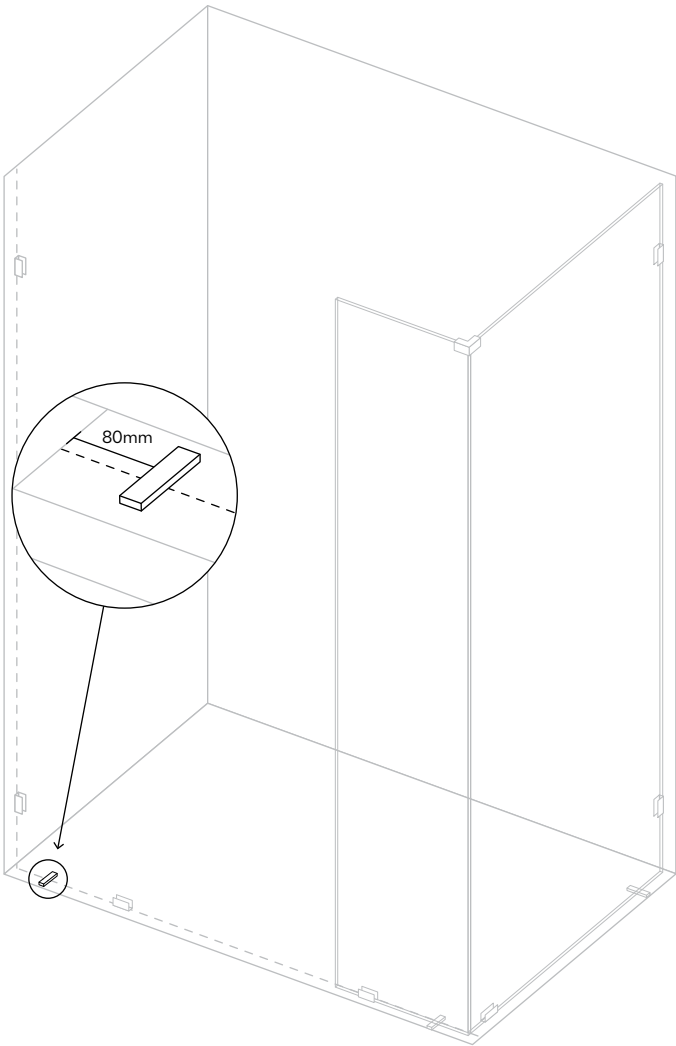
Be sure to put a dab of silicone inside hole drilled for the Bottom Clip.



24

Install Hinge Panel Bottom Clip.

Install Hinge Panel Bottom Clip. Place a 3mm rubber block inside the Bottom Clip to protect Hinge Panel during installation.

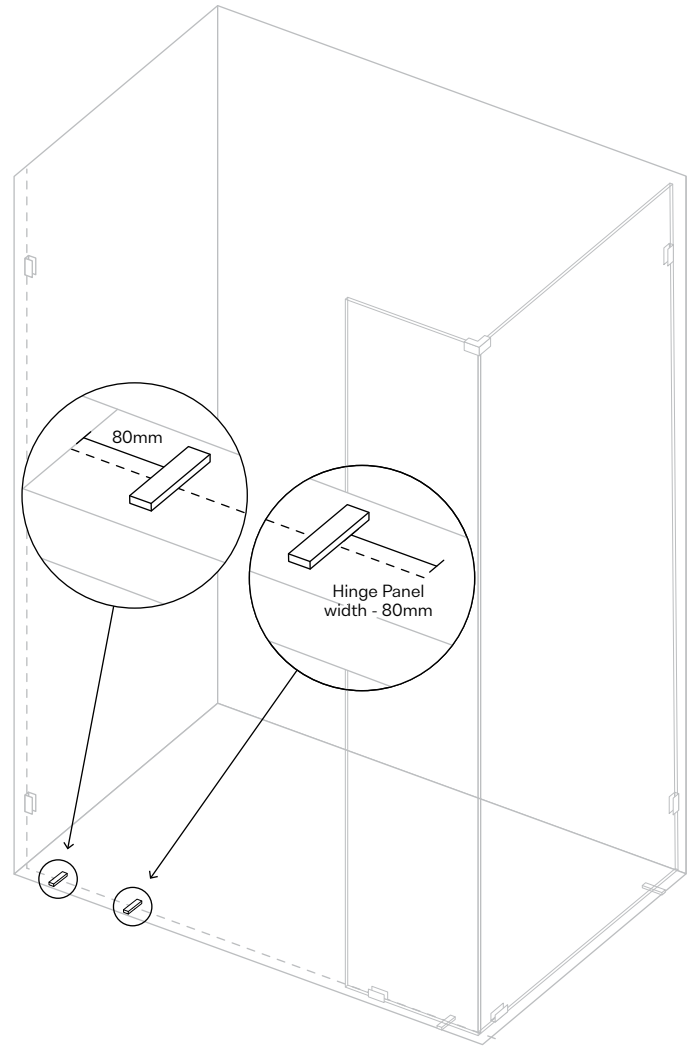


25

Set Hinge and Fixed Panel Rubber Blocks.

Place 3mm thick Rubber Block provided 80mm in from where the Hinge Panel and wall meet and 80mm in from where the Fixed Panel and wall meet. These are where the glass panels will sit on the tile or base.

Please continue to step 27 to complete installation.



26

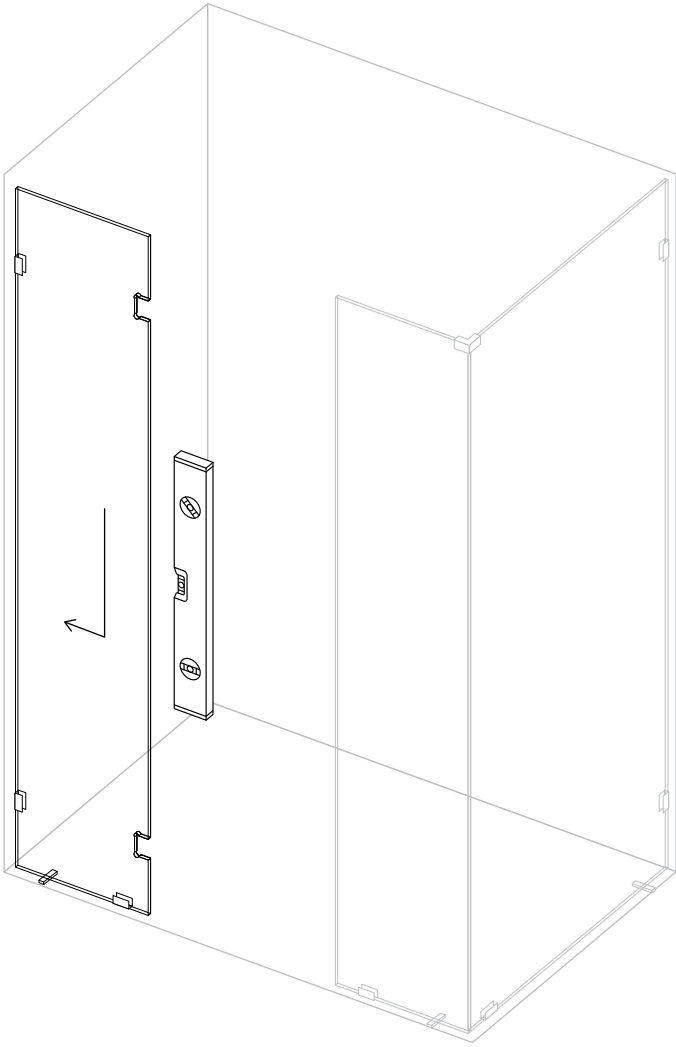
Measure and place Hinge Panel Rubber Blocks.

If you are not drilling into the shower base and prefer the Rubber Blocks option instead of using the Bottom Clips, continue here.

Measure 80mm from wall and place the first 3mm thick Rubber Block. Take the Hinge Panel width and subtract 80mm and measure from the wall and place the second 3mm thick Rubber Block. The Hinge Panel will rest on the Rubber Blocks.

Tip: Use additional Rubber Blocks on existing blocks to raise/drop the Hinge Panel if required.



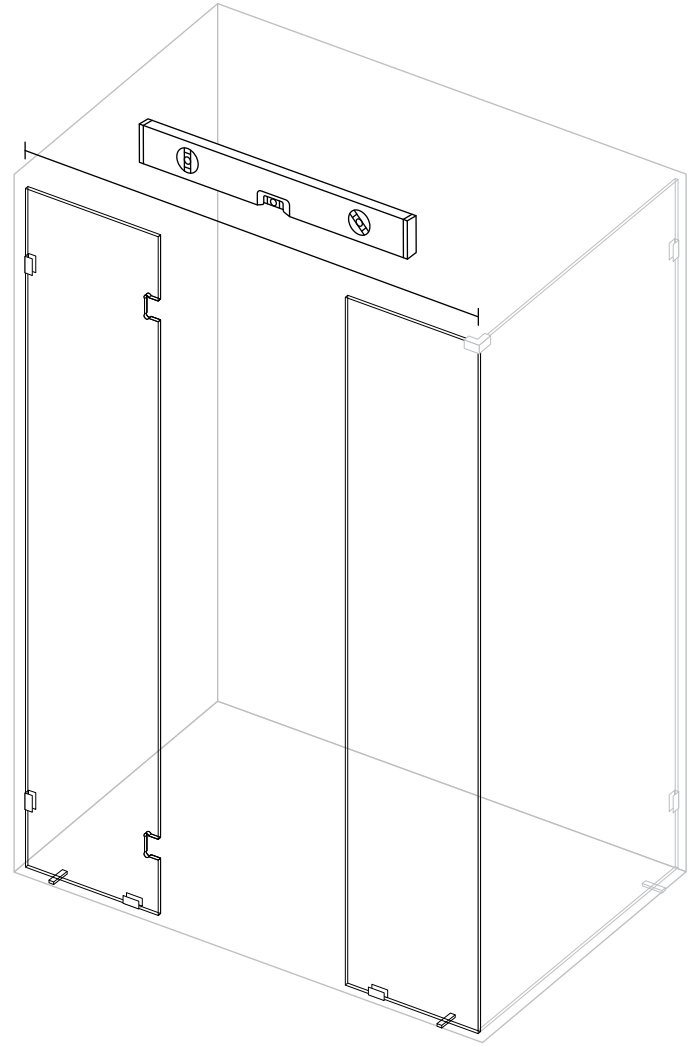


27

Set the Hinge Panel in place and level.

Carefully place the Hinge Panel on the Rubber Block and in the Hinge Panel Bottom Clip and then slot it into the Wall Clips. On the edge that will meet the Door Panel, use a level to make sure the Hinge Panel is level. Tighten all Clip screws.

If using the bottom Rubber Block option, you will be placing the Hinge Panel carefully on to both Rubber Blocks.



28

Make sure Hinge Panel and Fixed Panel tops are level.

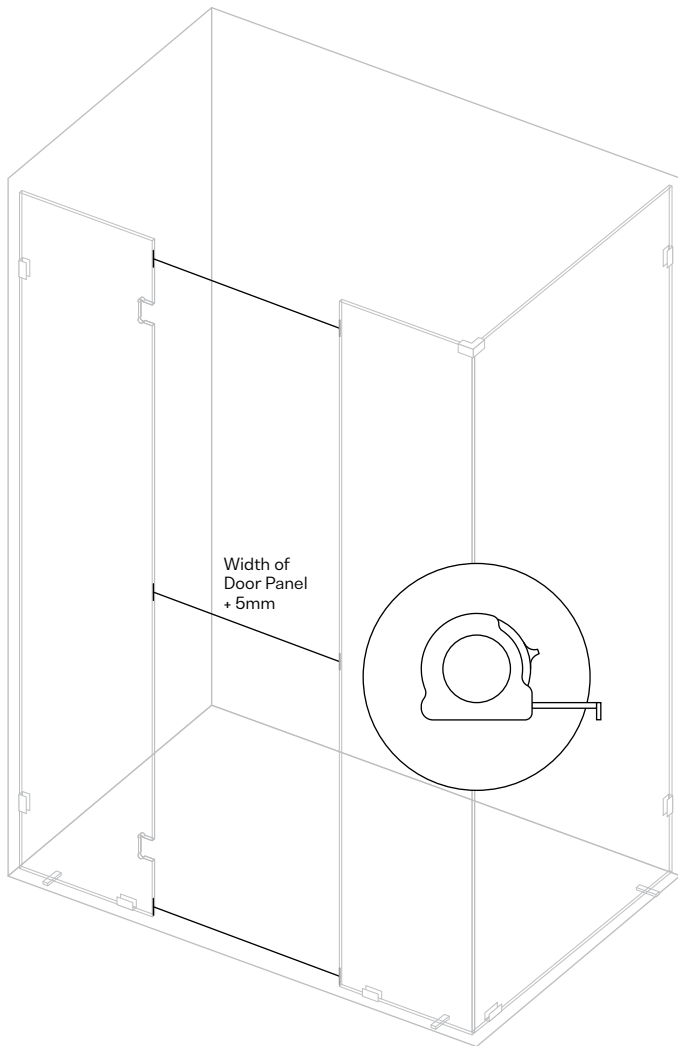
Ensure the tops of the Hinge and Fixed Panel are level. If the tops of the Hinge and Fixed Panel do not line up, use additional rubber blocks on existing blocks to raise or drop one of the Panels if required.

Important: It's imperative both of the panels are level at the top prior to adding silicone and installing 45° rod.



Important: There is a stamp on the corner of all Future Glass glass panels to certify it is tempered safety glass. We recommend panels are installed with the stamp at the bottom corner closest to the wall where it is less noticeable. On Door Panels, the stamp must be at the bottom for your enclosure to align properly. Note: the stamp is baked on during the tempering process and cannot be removed.



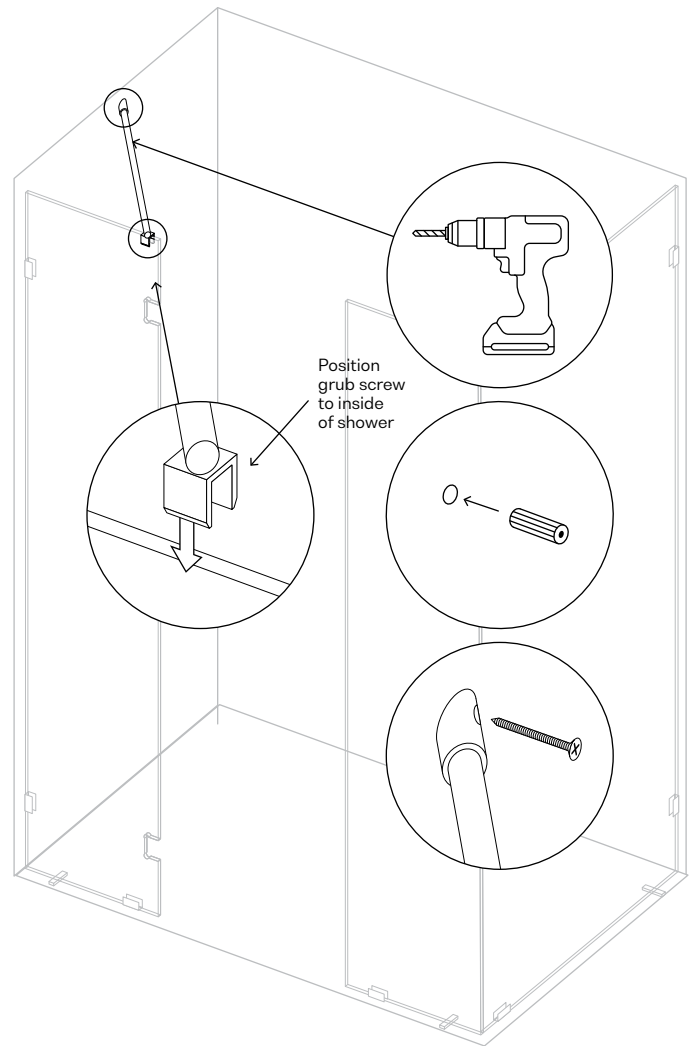


29

Measure Door Panel opening.

Before opening the packaging for the Door Panel, measure the opening space left between the edge of Fixed Panel and Hinge Panel the where the door will be hinged from. The space required needs to be a minimum 5mm larger than the Door Panel provided. For example: if you have a 600mm Door Panel the opening required to fit this is a minimum 605mm. Be sure that the top, middle and bottom are the same distance apart.

If you do not have enough space please contact Future Glass to discuss panel replacement solution.



30

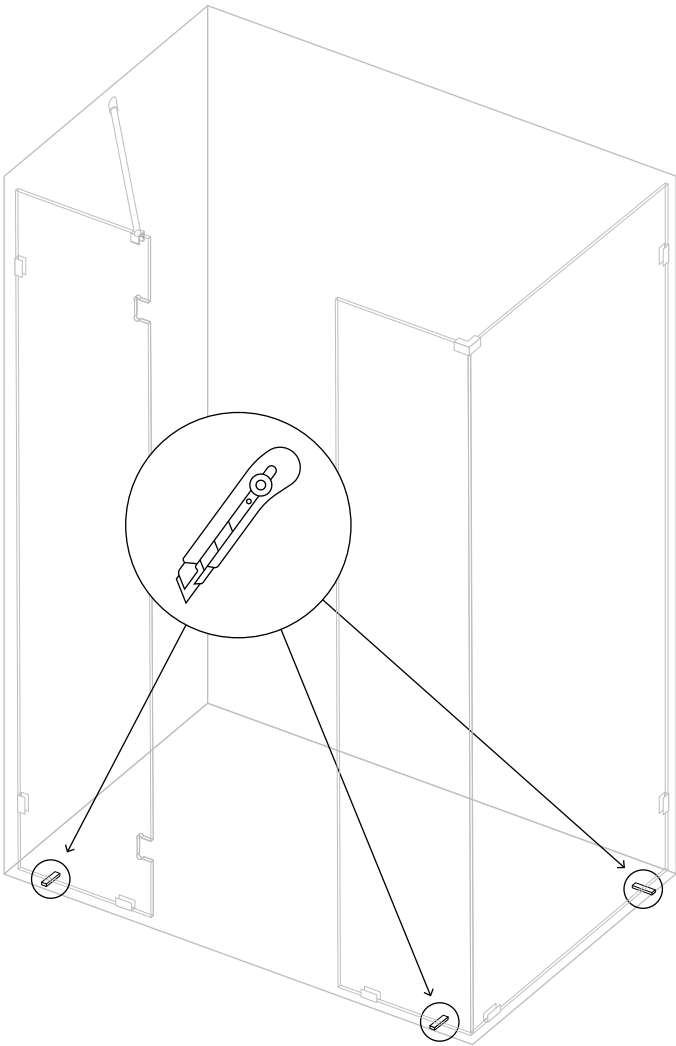
Install the 45° Rod. Optional for additional support.

Loosen the clamping screw inside the clip and place on top of the Hinge Panel. Position the 45° Rod so the other end is flush with the wall. Mark position of the screw on the wall before removing the Rod.

Using a 6mm tile drill bit, drill the marked hole on the wall. Then use a hammer to insert Wall Anchor.

Place the 45° Rod back in position and drill wall screw in to secure. Lastly, tighten the clamping screw inside the Clip.

Note: If your Hinge Panel is 300mm or less, you'll need to shorten the Rod. Remove the end cap, cut to the required length. Then replace the end cap and tighten the bolt.

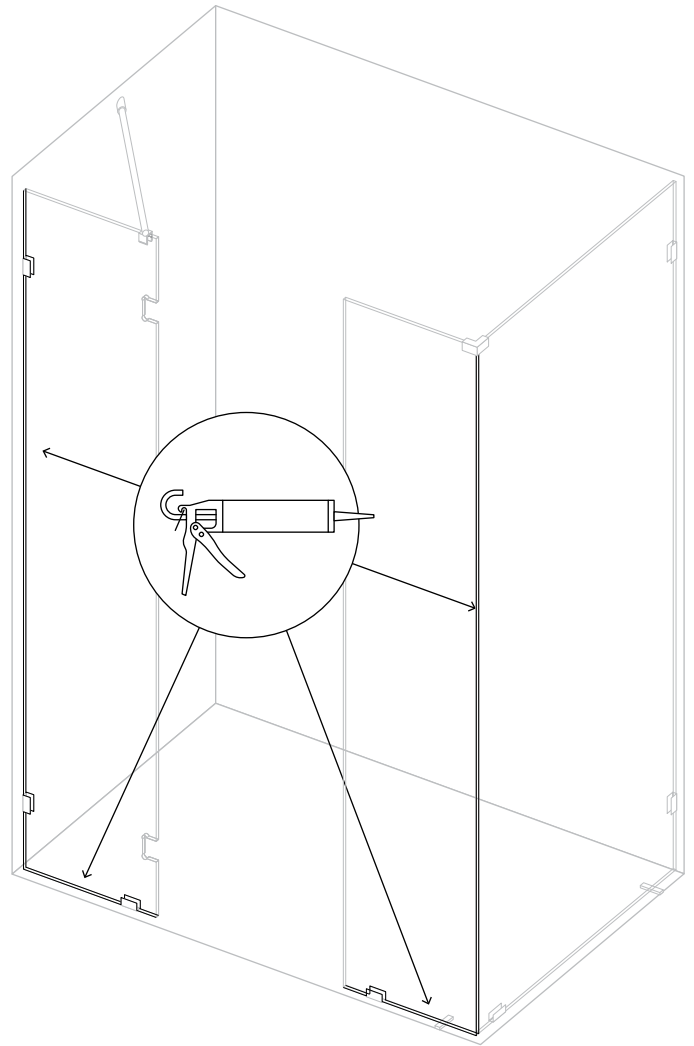


31

Trim Rubber Blocks.

Trim the Rubber Blocks with a utility knife so that it is flush with the Glass Panels resting on top. The Rubber Blocks remain under the Glass Panels. Do not remove them.

If you used 4 Rubber Blocks on your shower base instead of the Bottom Clips, trim excess off of all blocks on both sides of glass panels.



32

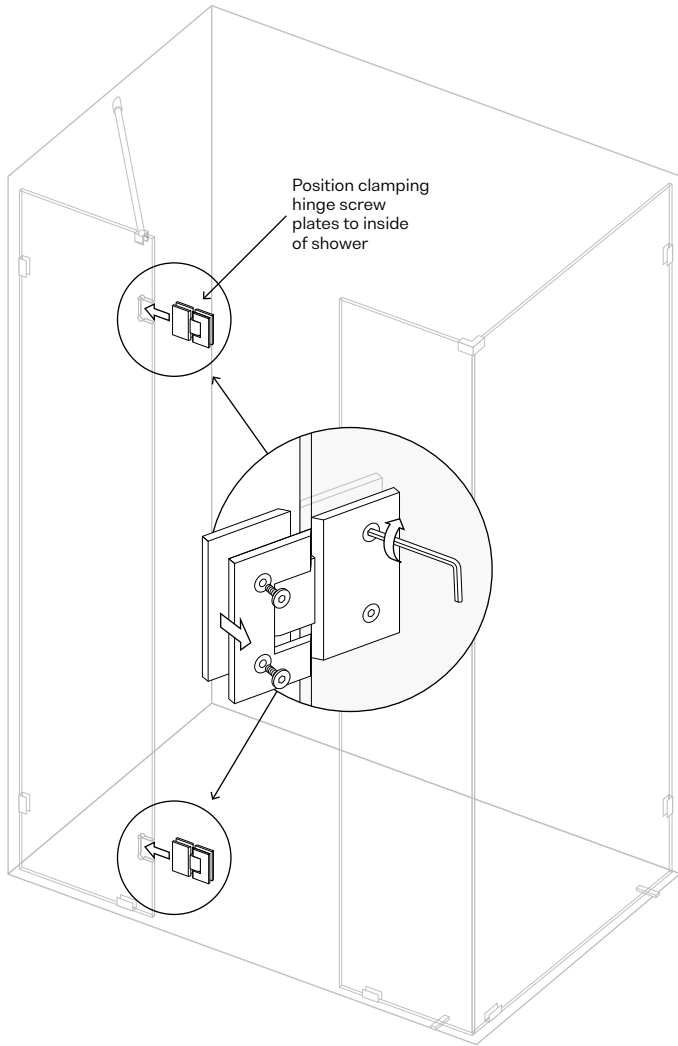
Apply silicone to seal Hinge Panel and Fixed Panel.

Apply silicone around the wall and floor surface of the Hinge Panel and Fixed Panel. You need to silicone both the inside and outside edges ensuring the gap between glass and tile is completely sealed.

Once sealed, spray the silicone with water and use a spatula (available in our Install Kit) to remove any silicone residue.

Important: It is critical that the silicone is given at least 36 hours to cure before hanging the Door Panel.



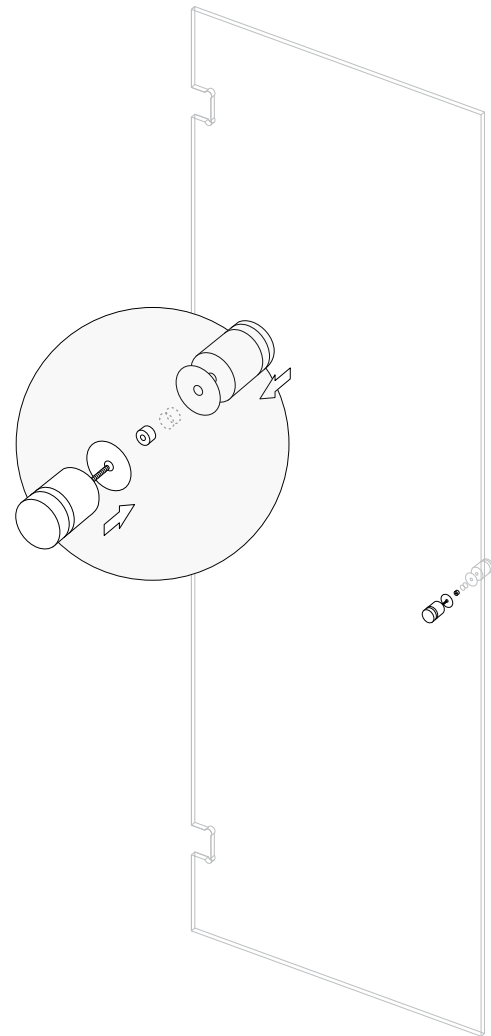


33

Attach the Glass Hinges to the Hinge Panel.

Slide the solid plate side of the Glass Hinge in to the Hinge Panel cutout. Be sure the Hinge screws face the shower interior. Lightly tighten screws.

Remove the backing plates from the Glass Hinges where the door will attach.



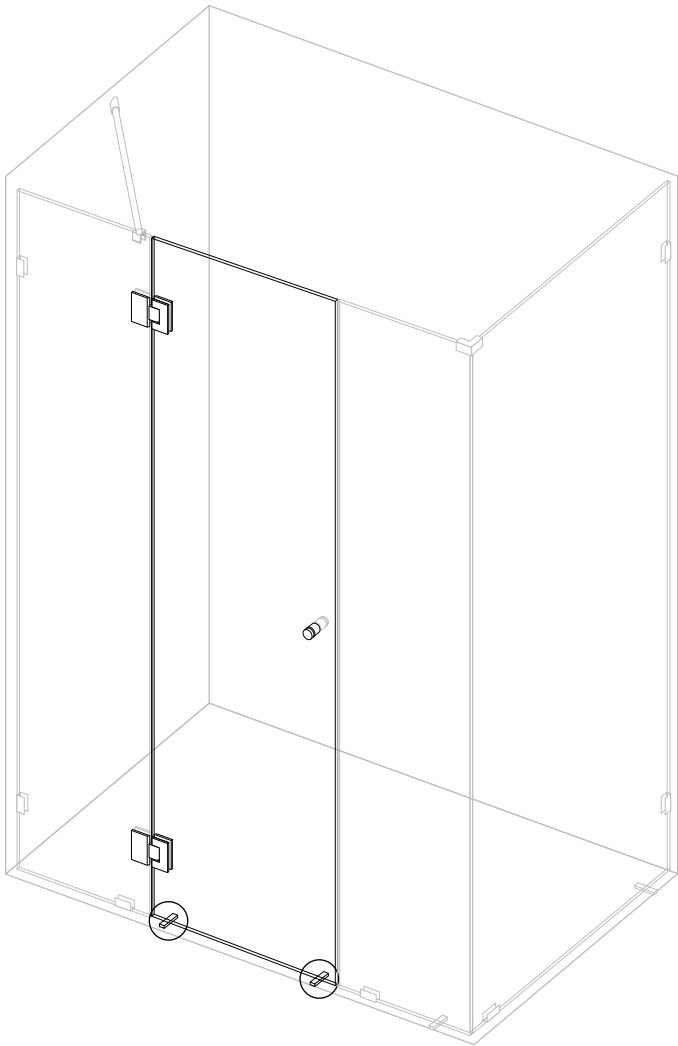
34

Optional - Attach the Door Knob to the Door Panel.

Disassemble the Door Knob and reassemble it on to the Door Panel. Note that the small plastic washers that fit within the holes in the glass are optional. Make sure all components on handle are secured very tight on door.

Tip: Most DIY-ers won't have professional suction/vacuum equipment to lift the glass, so this is why we recommend attaching the door knob first so when lifting the glass you have something secure to hold onto.





35

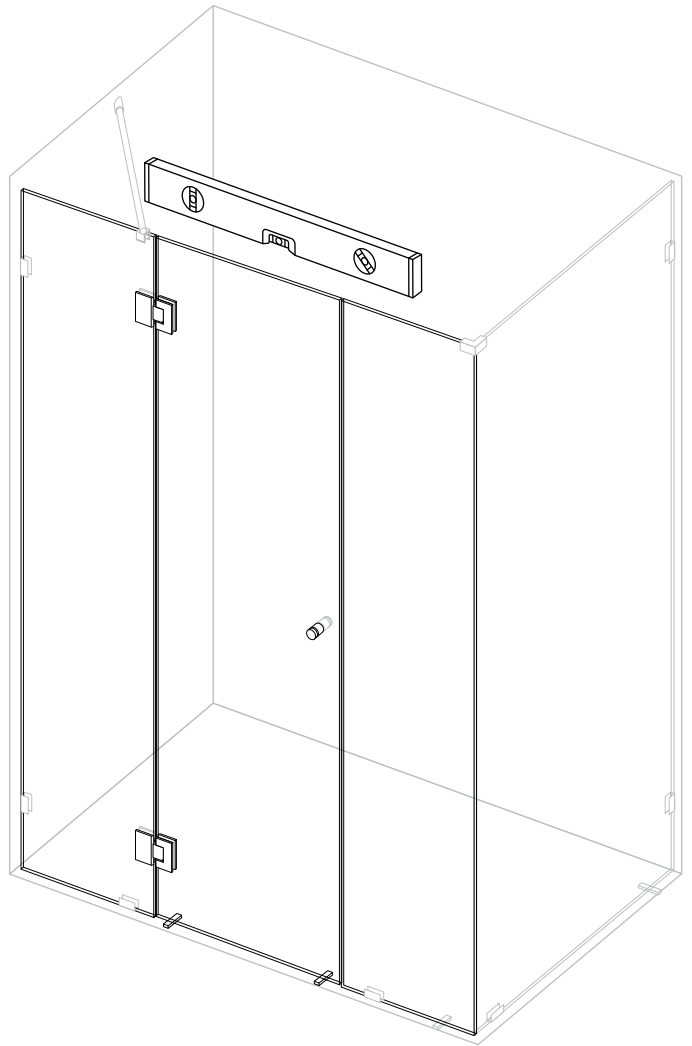
Set the Door Panel in place.

Place 10mm Rubber Blocks (that are included with the hinge) on the threshold roughly 80mm from either edge of the Door Panel. Place some cardboard packing on the ground outside the shower where you can rest the door before installing. The honeycomb cardboard from the glass packaging is useful for this application. Carefully place the Door Panel on the Rubber Blocks and line up the cut outs in the door with the hinges.

Important: On the Door Panel, the stamp must be at the bottom for your enclosure to align properly.



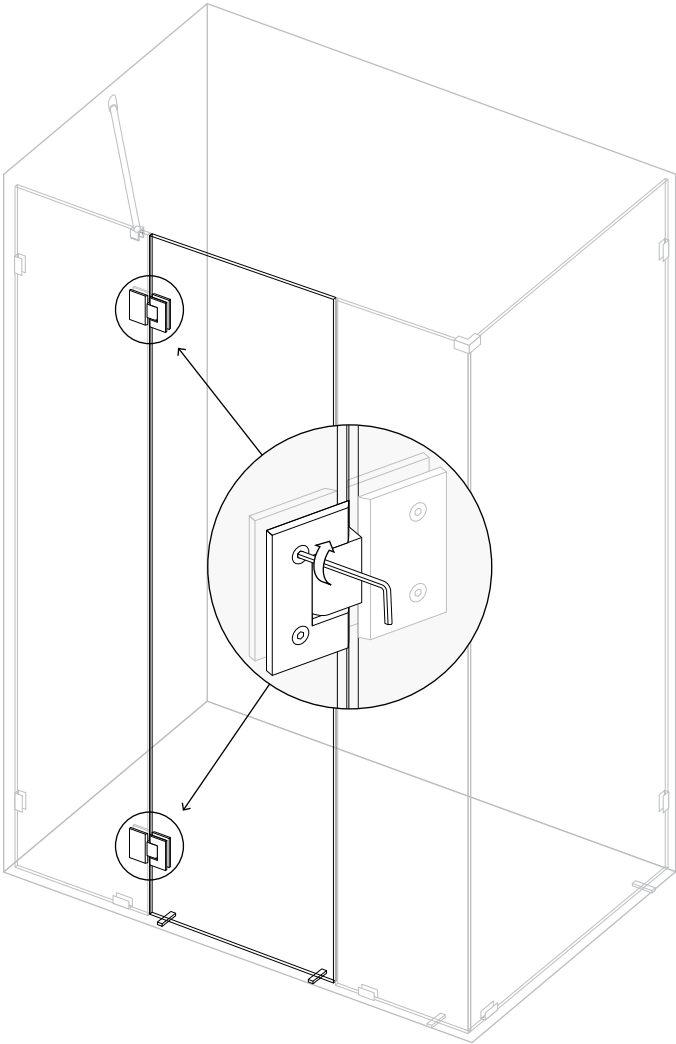
Note: The Door Panel is 10mm shorter than the Fixed Panel to allow for swing and to install door sweep.



36

Level Hinge, Door and Fixed Panels.

Ensure the tops of the Hinge, Door and Fixed Panels are level and the vertical gap between the Hinge and Door Panel is even. If the tops of the Hinge, Door and Fixed Panel do not line up, use additional rubber blocks on existing blocks to raise / drop the Door Panel if required.

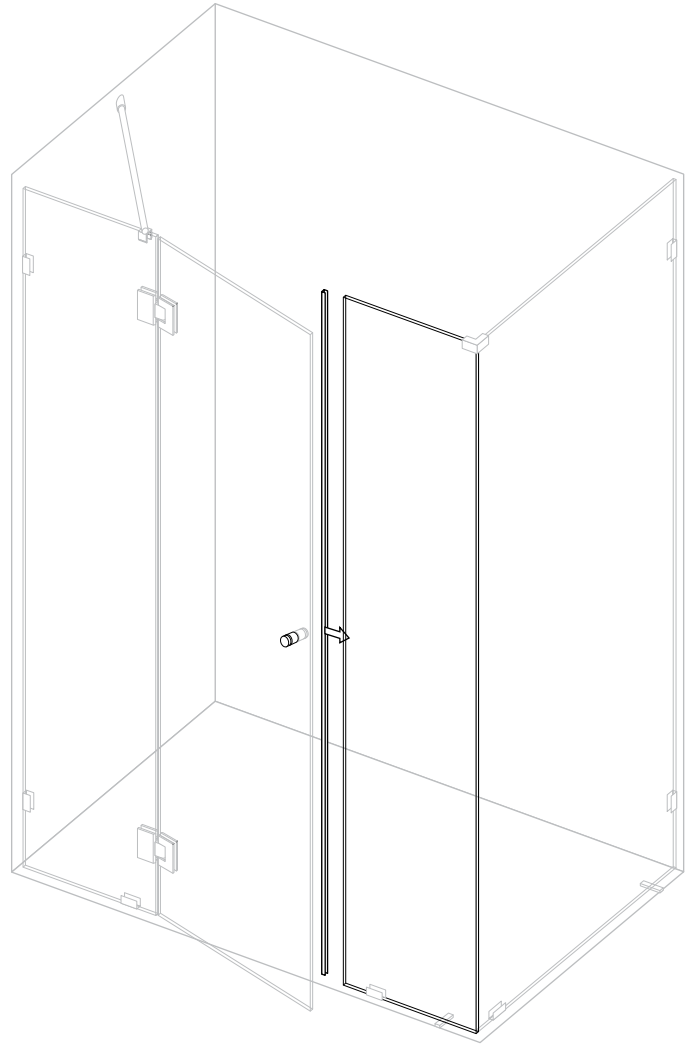


37

Return Door Panel Hinges backing plates.

Put the backing plates on Glass Hinges and tighten all four screws on both Hinges.

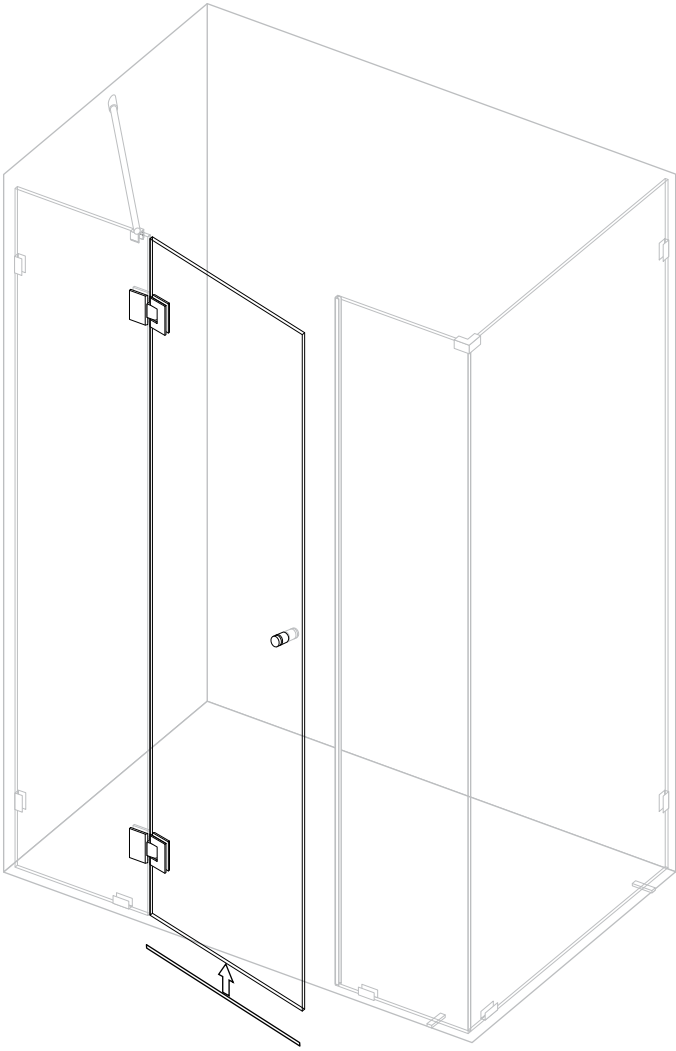
Ensure the screws are very tight and supporting the Door Panel's weight. Then carefully remove the Rubber Blocks and open the door to ensure it's not binding anywhere.



38

Optional - Install Fixed Panel Weather Strip.

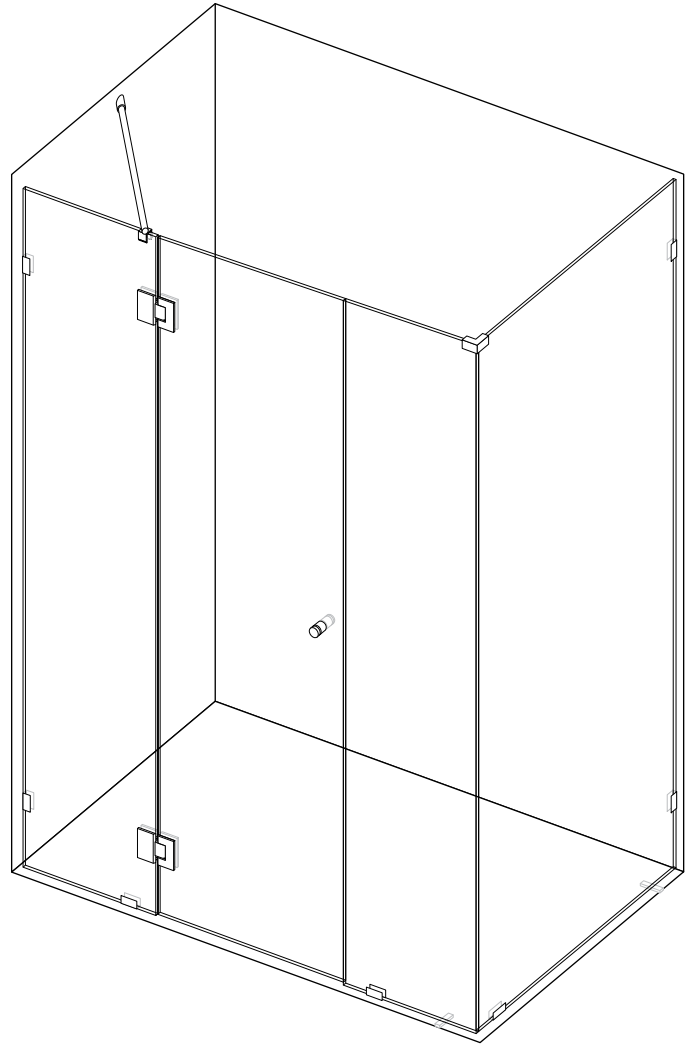
Locate the Weather Strip that will seal the space between the Door Panel and Fixed Panel. Attach the Weather Strip to Fixed Panel outside edge.



39

Optional - Install Bottom Door Panel Sweep.

Locate the Door Panel Sweep. Measure the width of your door and trim the Sweep to match your door size. Slide Sweep on to the bottom of Door Panel to prevent any water leakage from under the door. Make sure the bottom of the door is very clean before installing.



40

Congratulations, you're done!



Featured Model: Kira Arch Mirror 760x500mm

Reflect on a New Look

Explore our complete range of Archi stainless steel mirrors to compliment your new shower. Choose from many different styles, finishes, and options to give your bathroom that extra bit of style.

FUTUREGLASS

FUTUREGLASS.COM.AU

© 2024 FUTURE GLASS, All Rights Reserved

Care & Maintenance



EnduroShield makes cleaning easier and less frequent; however it is recommended that you continue to clean the surfaces regularly.

Maintaining the Treated Surface

For best results simply drying the glass with a squeegee or towel after each use will help keep the glass clean and reduce mineral spots forming. The glass needs to be cleaned every few weeks using a damp microfiber cloth and a mild detergent to break down soaps, oils, and conditioners on the glass. General glass cleaners are also suitable, however most of these are finishing agents rather than cleaners, and are an added expense that is not required.

Hard Water Maintenance

In hard water areas, or areas where water drops dry and leave a noticeable dust mark, a build of minerals may occur on the protective treatment. While these may not be removed as easily with the mild detergent, mild acids will often remove the marks quickly. As needed white vinegar should be used to wipe down the glass. Keep in mind the vinegar may be diluted with water, however dilution reduces the effectiveness.

Spray vinegar onto the glass and allow to soak for several minutes. This should dissolve any mineral deposits that have built up on the glass surface. A damp microfiber cloth should then be used to wipe over the surface. For extreme hard water areas we recommended using undiluted vinegar every week or so as a cleaning option to reduce this build up on the surface, rather than allowing the build up to continue over a long period of time.

Caution: Prohibited Products *Note these may damage the treatment and void any warranty

- Avoid the use of any abrasives or polishes including water spot removers, toothpaste, polishes, rough, or gritty substances
- Avoid the use of acids or alkalis that you would not want in contact with your skin for an extended period of time
- Avoid products such as Comet, Ajax, Jiff or Cerium Oxide which polish back the actual substrate
- Avoid the use of any harsh or chemical cleaners, with correct maintenance these are never required

Approved Cleaning Products

The below products have been tested for compatibility with EnduroShield, however there are no specific products that must be used. We feel you should not be required to purchase extra products in order to keep your glass clean. With correct maintenance, all you need for clean glass beyond 10 years is a squeegee, a mild liquid dish soap, and white vinegar.

Any product that does not fall into the prohibited categories listed above will be fine, and below is a short list of acceptable products:

- Windex
- SprayWay (or other alcohol based foaming cleaners)
- Scrubbing Bubbles (or other automatic leave-to-dry daily shower cleaners)
- 7th Generation, Dawn (or other mild eco friendly cleaners)
- CLR (Calcium Lime Rust)
- Mr. Clean Magic Eraser (when damp)

It should be noted that with any cleaner used on the EnduroShield surface a thorough rinse with clean water should follow immediately. Although these cleaners can be used, EnduroShield is designed to be an 'easy clean coating' that does not require harsh or toxic cleaning chemicals to maintain the surface effectively.

If for any reason the recommended maintenance has not been followed for some time, just as it took time for the build up to occur, it will take time to remove the debris from the protected glass surface. This can most commonly be achieved using undiluted white vinegar dampened on a Magic Eraser, or CLR on a Magic Eraser. Depending on the severity of the build up this may take multiple attempts, but once the glass is clean again it will perform like new. Should you have any queries regarding the cleaning of your treated surfaces please contact EnduroShield.

10 Year Limited Warranty - Shower Screens Terms & Conditions.

This warranty is effective as of JANUARY 1, 2024 on all Future Glass Shower Screen purchases

PLEASE READ FUTURE GLASS WARRANTY TERMS AND CONDITIONS BEFORE INSTALLING YOUR FUTURE GLASS PRODUCT. BY USING THE PRODUCT, YOU ARE CONSENTING TO BE BOUND BY THE FOLLOWING WARRANTY TERMS AND CONDITIONS

Future Glass offers the following warranty for its products and components thereof. This warranty extends only to the original owner/end-user for household use only and is not transferable to a subsequent owner. Future Glass reserves the right to modify this warranty at any time, it being understood that such modifications will not alter the warranty conditions applicable at the time of sale of the products in question. This warranty extends for a designated period of time, so long as the product remains in use in its original place of installation and that the product must be maintained as described in the owner's manual supplied with the product. This warranty applies only to Future Glass products purchased from Future Glass directly or from an authorised Future Glass dealer in Australia.

Proof of purchase (original sales receipt) from the original consumer purchase must be provided with all warranty claims. No responsibility is assumed by Future Glass for any special, incidental or consequential damages. **IN NO EVENT SHALL THE LIABILITY OF FUTURE GLASS EXCEED THE PURCHASE PRICE OF THE UNIT.**

Future Glass products must be installed by a fully insured, licensed professional and according to the Future Glass installation instructions and guidelines. Installation of Future Glass product by anyone other than a fully insured licensed professional shall VOID THE WARRANTY. Future Glass recommends that such licensed professionals have experience in the installation of bathroom products - specifically glass shower and glass bathtub doors.

Installation of certain products, including, without limitation, glass products (i.e., shower and bathtub doors) by an unlicensed or inexperienced installer may result in glass breakage and, consequently, may cause personal injury or even death and Future Glass will not be liable.

PARTS ONLY WARRANTY – Limited Warranty 10 years

This warranty is extensive in that it covers replacement of all defects. Future Glass may, at its option, examine and inspect the alleged defective product and Future Glass may request that parts be returned to Future Glass at Owner's expense for factory assessment and inspection. If Future Glass determines product to be covered by the above Warranty, replacement parts will be shipped via ground shipping. Increased costs for expedited delivery, if requested by the Customer, will be the responsibility of Customer. Parts replaced under the terms of this Warranty will

be warranted for the remainder of the original warranty period. **LABOR CHARGES AND/OR DAMAGE INCURRED DURING INSTALLATION, REPAIR, OR REPLACEMENT, AS WELL AS ANY OTHER KIND OF ANCILLARY COST, LOSS OR DAMAGE ARE EXCLUDED.** Please allow up to 1-3 business days for processing of warranty issued parts. Once warranty replacement parts are shipped, warranty is activated and product cannot be returned for refund thereafter.

SHOWER & TUB DOORS, SHOWER ENCLOSURES GLASS

Future Glass shower doors, bathtub doors, and shower screen enclosures are backed by a Limited 10 Year Warranty. Future Glass warrants the glass of shower doors, bathtub doors and shower screen enclosures to be free from defects in workmanship and materials under normal residential use for a period of 10 years commencing from the initial date of purchase by the owner/end-user, contractor, or builder as long as the original consumer purchaser owns the home in which the product is installed. Warranty for plastic seal strips, sweeps or any other vinyl components shall be limited to one (1) year. Future Glass does not warrant glass for scratches, chips, water spots, breaking or any other damage after installation.

SHOWER & TUB DOORS, SHOWER ENCLOSURE HARDWARE

Future Glass shower door, bathtub door, and shower screen enclosure hardware is backed by a Limited 10 Year Warranty. Future Glass warrants shower door, bathtub door and shower screen enclosure hardware (i.e. handles, bath knobs, hinges, clips, brackets, shower rods, 90° corner brackets) to be free from defects in workmanship and materials under normal residential use for a period of 10 years commencing from the initial date of purchase by the owner/ end-user, contractor, or builder as long as the original consumer purchaser owns the home in which the product is installed.

Future Glass hereby disclaims all warranties for products sold as dealer or store displays. Future Glass hereby disclaims all warranties for products used outside of Australia whether expressed or implied, including but not limited to the implied warranties of merchantability and fitness for a particular purpose.

WARRANTY TERMS

Future Glass will, at its election, repair or replace the product found by Future Glass in its sole judgment, to be defective within the warranty period under normal residential use and maintenance. The replacement of a product is limited to supplying a replacement product or part (same as existing or if not available, comparable product). Future Glass warranty obligation shall be discharged upon tender of parts, replacement or repair of the product. Purchaser's refusal to accept the tender terminates all warranty obligations and **VOIDS THE WARRANTY**. Cost of freight for returning products to Future Glass for repairs or replacement

under this limited warranty are the responsibility of the customer. Cost of freight associated with shipping of replacement product(s) or parts covered by this warranty is the responsibility of the original user. Any product replaced or repaired during the warranty period will be covered only for the remaining period of the original warranty. In no event will Future Glass be liable for costs of repair or replacement of any installation material, including but not limited to tile, marble, etc.

FUTURE GLASS IS NOT RESPONSIBLE FOR INSTALLATION, REMOVAL OR REINSTALLATION COSTS OF ANY PRODUCT REQUIRING WARRANTY SERVICES.

Any modification or alteration of any Future Glass products will void the warranty. Neither the authorized Future Glass dealer, nor any other person is permitted to make any affirmation, representation, or warranty other than those contained in this warranty. Any affirmation, representation, or warranty other than those contained in this warranty shall not be enforceable against Future Glass or any other person.

Future Glass product installations must be performed by either a Future Glass authorized agent or a licensed, insured and experienced professional contractor - installations performed by any other party shall void the warranty. This warranty shall not apply to breakage or damages caused by normal wear and tear, fault, carelessness, abuse, misuse, misapplication, improper maintenance, alteration or modification of the unit, as well as chemical or natural corrosion, accident, fire, flood or any other casualty. Improper care and cleaning will void the warranty. Use of cleaners containing abrasive cleansers, ammonia, bleach, acids, waxes, alcohol, solvents or other products not recommended for hardware finishes, glass or acrylic as they may damage the metal or glass finish of your shower door or shower screen enclosure and will void the warranty. For additional product maintenance instructions please refer to the product installation manual. Future Glass is not responsible for any issues arising in connection with errors or omissions in information provided on Future Glass or dealers' websites. This warranty does not extend to any non-Future Glass plumbing or components installed by installers, end users or by any party other than Future Glass.

THE FOREGOING WARRANTIES ARE IN LIEU OF ALL OTHER WARRANTIES, EXPRESSED OR IMPLIED, INCLUDING BUT NOT LIMITED TO THE IMPLIED WARRANTIES OF MERCHANTABILITY AND FITNESS FOR A PARTICULAR PURPOSE. AQUILIA GROUP PTY LTD ("FUTURE GLASS") AND/OR SELLER DISCLAIMS ALL LIABILITY FOR SPECIAL, INCIDENTAL OR CONSEQUENTIAL DAMAGES. FUTURE GLASS IS NOT LIABLE FOR PERSONAL INJURIES OR DEATH TO ANY PERSON OR FOR ANY DIRECT, SPECIAL, INCIDENTAL OR CONSEQUENTIAL DAMAGE, LOSS OF USE, LOSS OF TIME, LOSS OF PROFITS, INCONVENIENCE, INCIDENTAL EXPENSES, LABOR OR MATERIAL CHARGES, OR ANY OTHER COSTS RESULTING FROM THE USE OF ITS PRODUCTS OR PERTAINING TO THE APPLICATION OF THE PRESENT WARRANTY, OR RESULTING FROM THE REMOVAL OR REPLACEMENT OF ANY PRODUCT OR ELEMENT OR PART COVERED BY THIS WARRANTY.

COMMERCIAL USE AND OTHER EXCLUSIONS

This warranty excludes all industrial, commercial and business usage. The warranty period for products installed for commercial applications or used in commercial ventures, including but not limited to motels, hotels, casinos, student housing, condos, apartments, and fitness centers, is a one (1) year limited warranty from the date of purchase for shower doors, bathtub doors, and shower screen enclosures with all other terms of this warranty applying except the duration of the warranty.

FUTUREGLASS

Thank you
for your purchase.

If for any reason you are having trouble with installation, or if the size of the product does not fit your designated space, please contact Future Glass directly and do not return this product to place of purchase.

Future Glass takes pride in providing quality products and customer service. We want to ensure your happiness with your purchase for years to come. We have an extensive range of sizes, so no matter what your measurements are, Future Glass can supply the product to fit!

If you have any questions, please do not hesitate to reach out to us. Thank you again for choosing Future Glass!

Best Regards,

The Team at Future Glass
www.futureglass.com.au
futureglass@aquilia.com.au