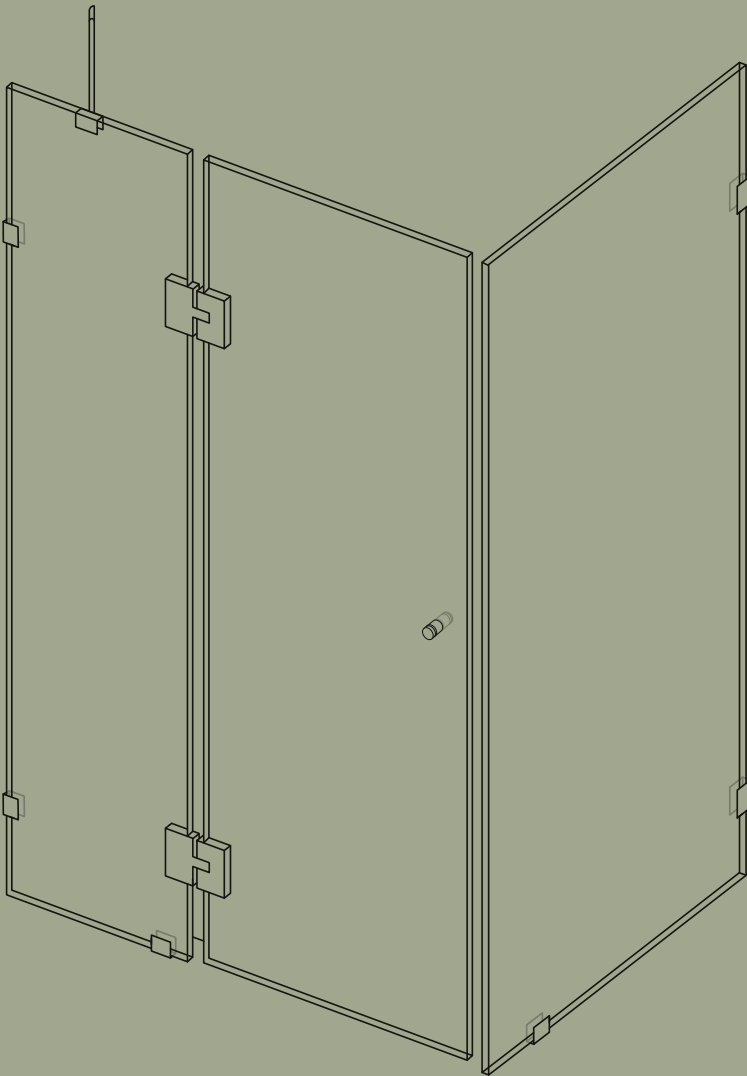


90GH SERIES

Installation Guide

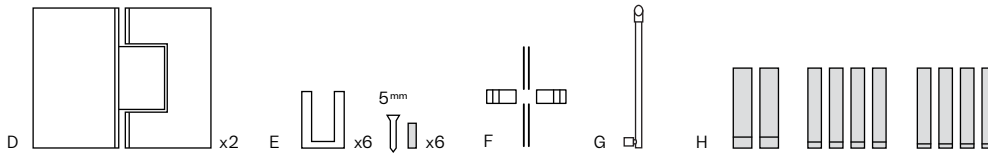
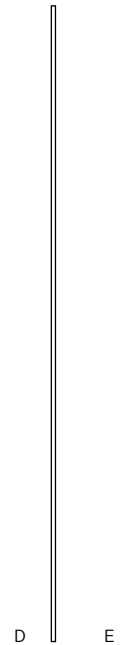
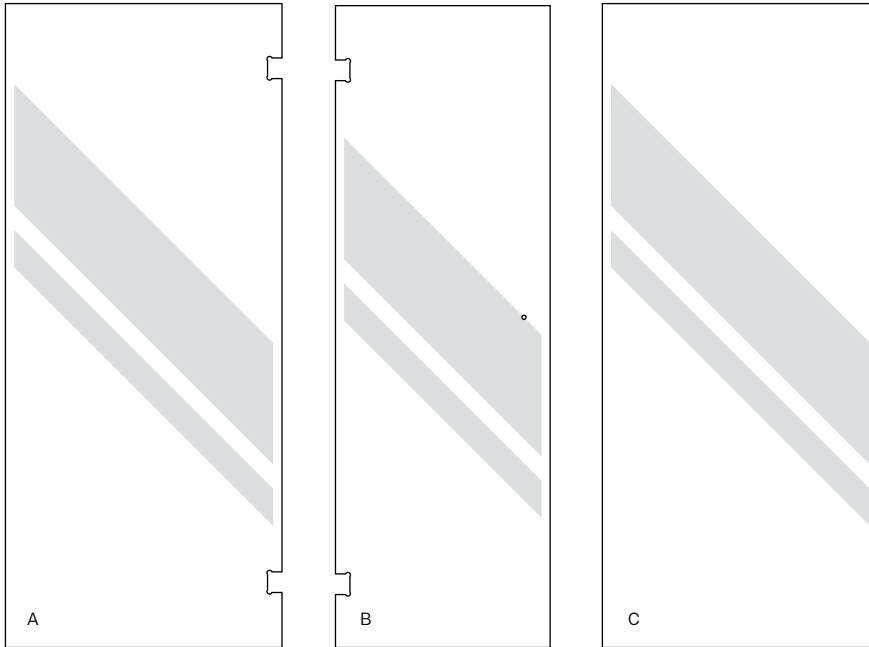
Corner Shower Screen
Glass Hinged



FUTUREGLASS

Included in your purchase:

Optional:



Included in your purchase: Shipped in 4 separate boxes

- A** Hinge Panel
- B** Door Panel
- C** Return Panel

- D** Glass Hinges
- E** Clips, Screws and Anchors
- F** Door Knob (Included with Door Knob models only)

- G** 45° rod, screw and anchor
- H** Rubber Block set (various sizes)

Optional:

- K** Weather Strip (Door Panel)
- L** Bottom Sweep (Door Panel)

Thank you for your purchase.

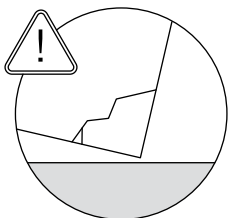
If for any reason you are having trouble with installation, or if the size of the product does not fit your designated space, please contact Future Glass directly and do not return this product to place of purchase. We will be able to exchange the panels or parts to suit your opening.

Future Glass takes pride in providing quality products and customer service. We want to ensure your happiness with your purchase for years to come. We have an extensive range of sizes, so no matter what your measurements are, Future Glass can supply the panel to fit!

If you have any questions, please do not hesitate to reach out to us. Thank you again for choosing Future Glass!

Best Regards,

The Team at Future Glass
www.futureglass.com.au
futureglass@aquilia.com.au

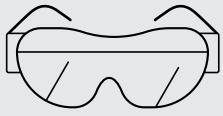


Caution: The most fragile parts of tempered glass panels are the corners. Therefore, it is critical you have the rubber blocks in place so the glass never touches the tile surface you are installing onto. Please make sure the glass is always on cardboard packaging or rubber blocks while out of the packaging prior/during install. Rubber block is provided in your hardware pack however you can use wood, cardboard or other rubber products to protect against breakage.

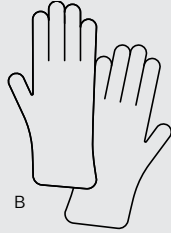


Attention installer: A light haze or smudging may be present on the coated glass panels upon delivery. This is easily removed with denatured or isopropyl alcohol and a good quality microfiber cloth, followed by a rinse of water. This can be done before or after installation.

Installation Guide



A



B

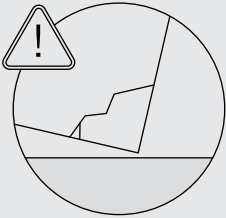
Safety.

- A Safety glasses/goggles
- B Gloves



Important: To protect yourself in the event of an accidental tempered glass breakage, it is critical that you wear the appropriate safety equipment whilst installing your shower screen. Please make sure that you wear both safety glasses/goggles & gloves whilst undertaking the installation. We have safe installation kits available for sale on our website.

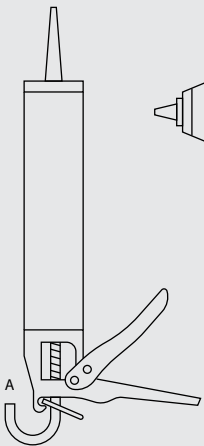
Protecting your Glass Panels.



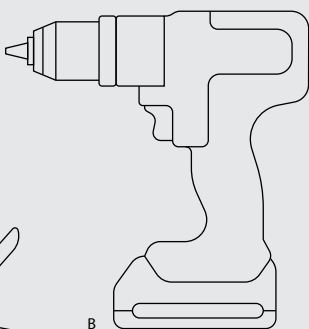
Important: Tempered safety glass is designed to shatter on impact with hard surfaces (such as tiles, shower bases, or concrete) and the most fragile parts of tempered glass panels are the corners.

When moving your glass panels, it is critical that the glass never touches the tile surface you are installing onto.

Please make sure the glass is always resting on cardboard packaging or rubber blocks while out of the packaging prior/during install. Protective honeycomb cardboard packaging can be used from the packaging your glass panel arrived in, and rubber blocks are supplied in your hardware pack.



A



B



C



D



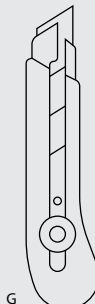
3mm

E



6mm

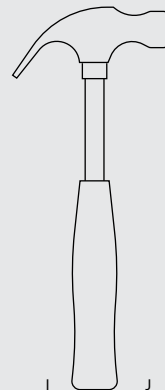
F



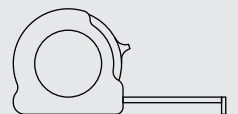
G



H



I



J

Tools required for install.

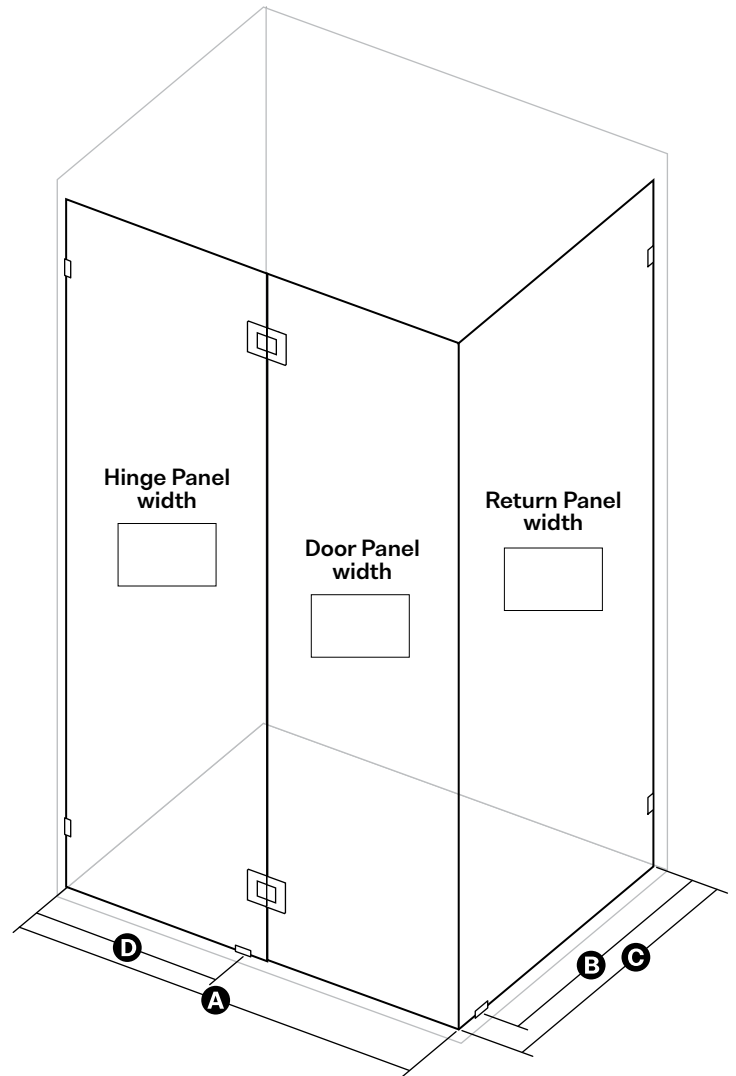
- A Silicone and caulking gun
- B Power drill
- C Phillips head screwdriver
- D Pencil
- E 3mm tile drill bit
- F 6mm tile drill bit
- G Utility knife
- H Level
- I Hammer
- J Tape measure



Important: Silicone is necessary for sealing and securing the stationary Hinge Panel and Fixed Panel. Silicone is not provided and will need to be purchased separately. We recommend using a professional grade, clear, mold resistant silicone which can be purchased at your local hardware store.

Before You Start

- Read over the installation guide and calculate your measurements before you start your installation.
- Write down your Panel sizes so you can easily refer to your notes during the installation process. Panel sizes will be marked on each box.
- Be sure all of your shower measurements match your delivered items.
- Take note of any uneven or out-of-plumb areas of your shower that may need attention.
- NOTE: If your Hinge Panel Wall is out of plumb and leans inward (at the top) towards your Return Panel, add the out of plumb measurement to value A below.



Some important measurements.

Some measurements will need to be made after specific steps during the installation process.

A Return Panel center line:

Hinge Panel width +
Door Panel width + 10mm

=

B Return Panel Bottom Clip location:

Return Panel width from wall - 80mm

=

C Hinge Panel center line:

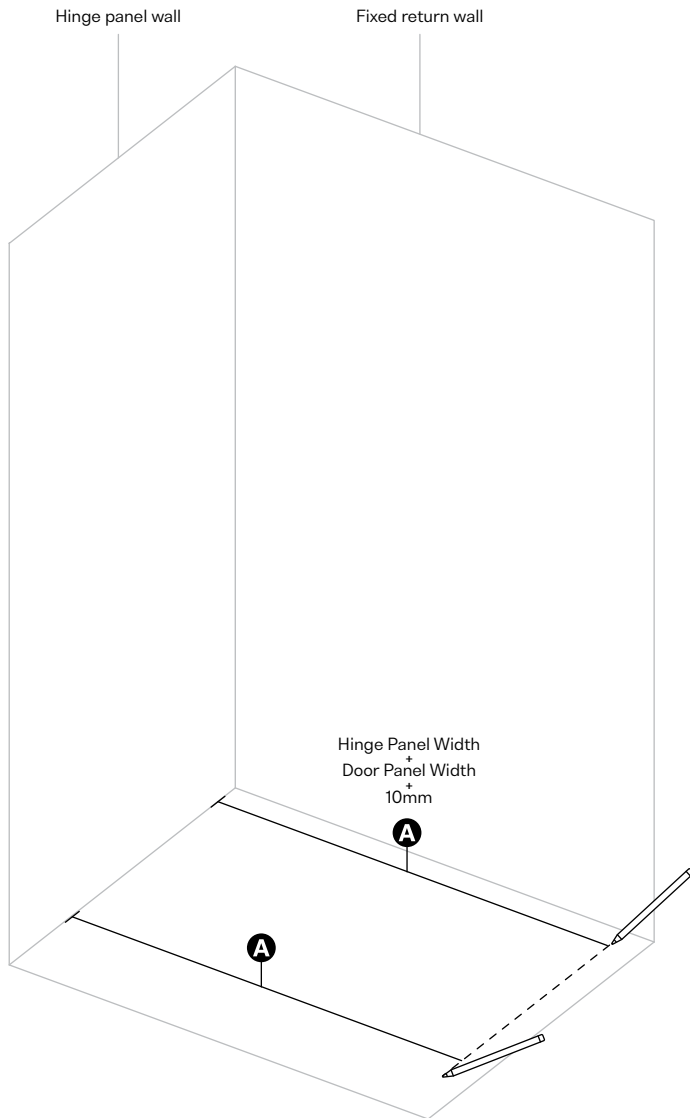
Return Panel width in Wall Clips from wall - 5mm
from the exterior side of Return Panel

=

D Hinge Panel Bottom Clip location:

Hinge Panel width - 80mm
from the exterior side of Return Panel

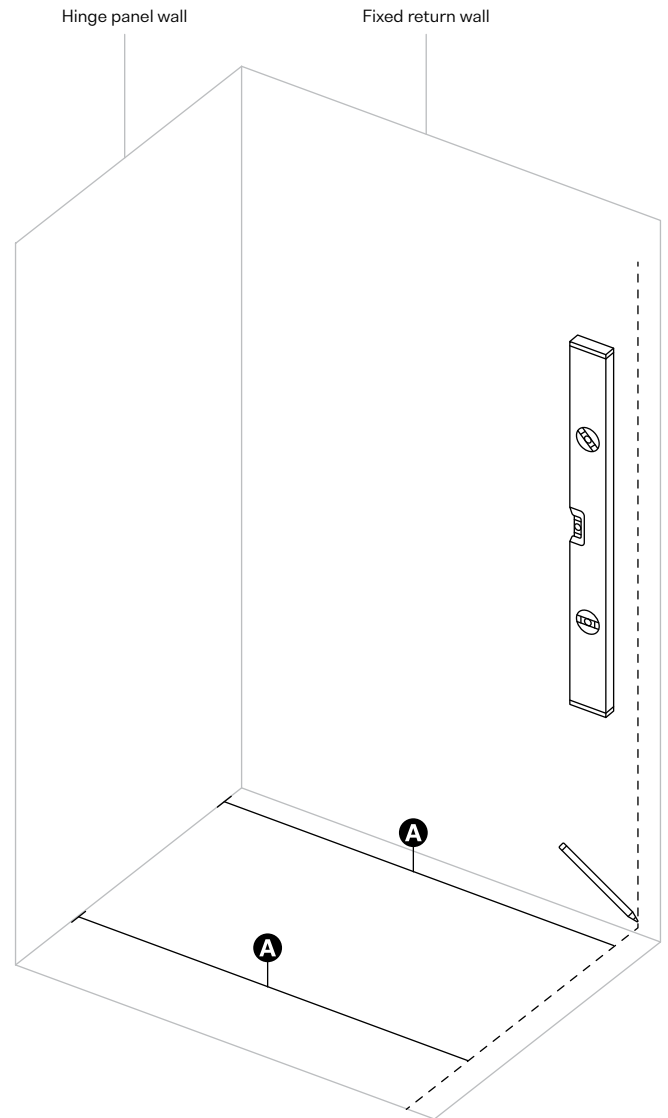
=



01

Measure and mark the Return Panel center line starting point.

From the opposite wall of where you intend to place the Return Panel, add the measurements of Hinge Panel width plus the Door Panel width and add an additional 10mm. This is the location of the starting point to mark the center line for the Return Panel.



02

Mark the Return Panel center line.

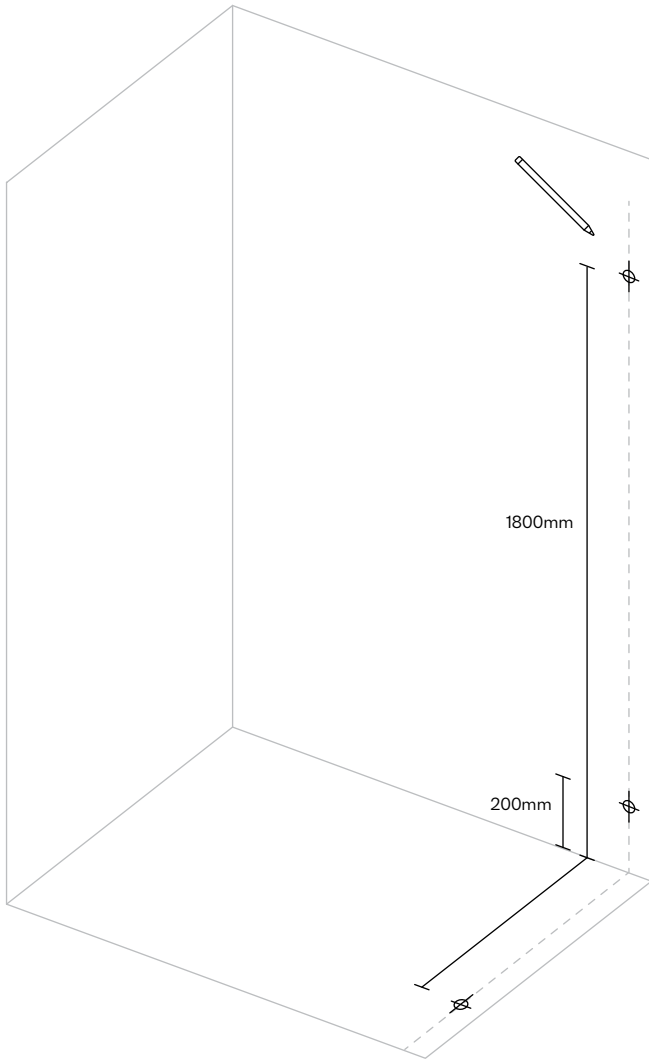
Use a level and from your marked starting point, mark a line up the wall on the side you wish to place the Return Panel. This is your center line for the Return Panel and Wall Clips. Along the base/floor, draw a line equal measure. This is your floor center line for the Return Panel Bottom Clip or Rubber Block.

Tip: We recommend using a pencil so this can be easily removed.



Important: The vertical line must be perfectly level for proper installation.



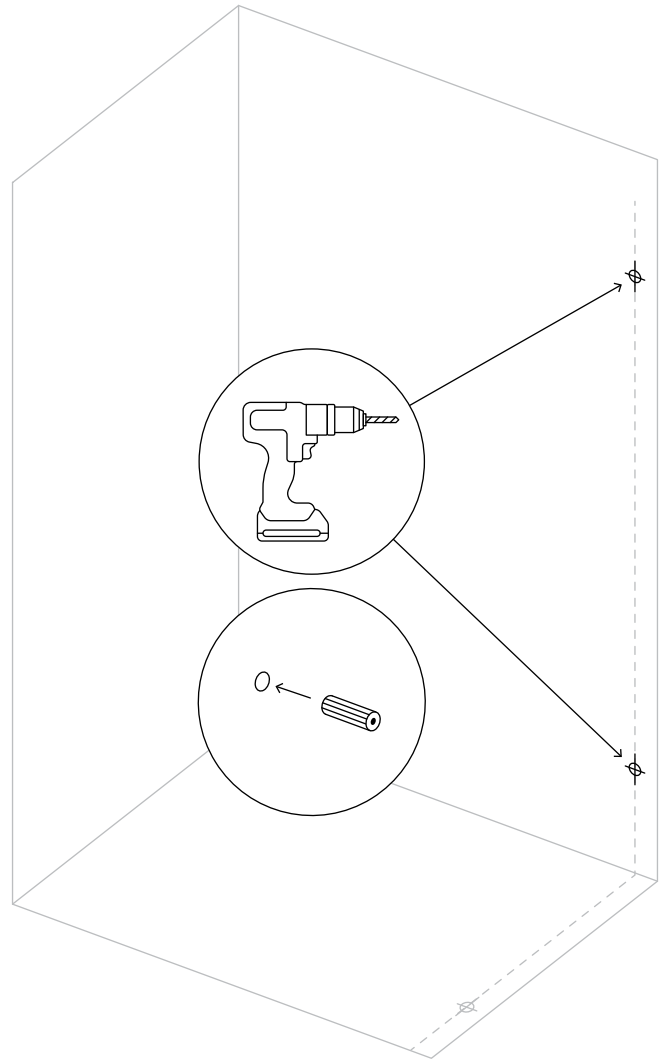


03

Mark the three Return Panel Clip locations.

- 1** 1800mm from the floor up the Return Panel vertical center line.
- 2** 200mm from the floor up the Return Panel vertical center line.
- 3** Measure width of Return Panel and subtract 80mm – Measure this distance out from wall and mark on floor/base.

Important: The third Clip for the bottom of the Panel is optional. If you prefer not to drill into your fiberglass shower base, we recommend not using the Bottom Clip. See step 9 for more details.



04

Drill the holes for the Return Panel Wall Clips.

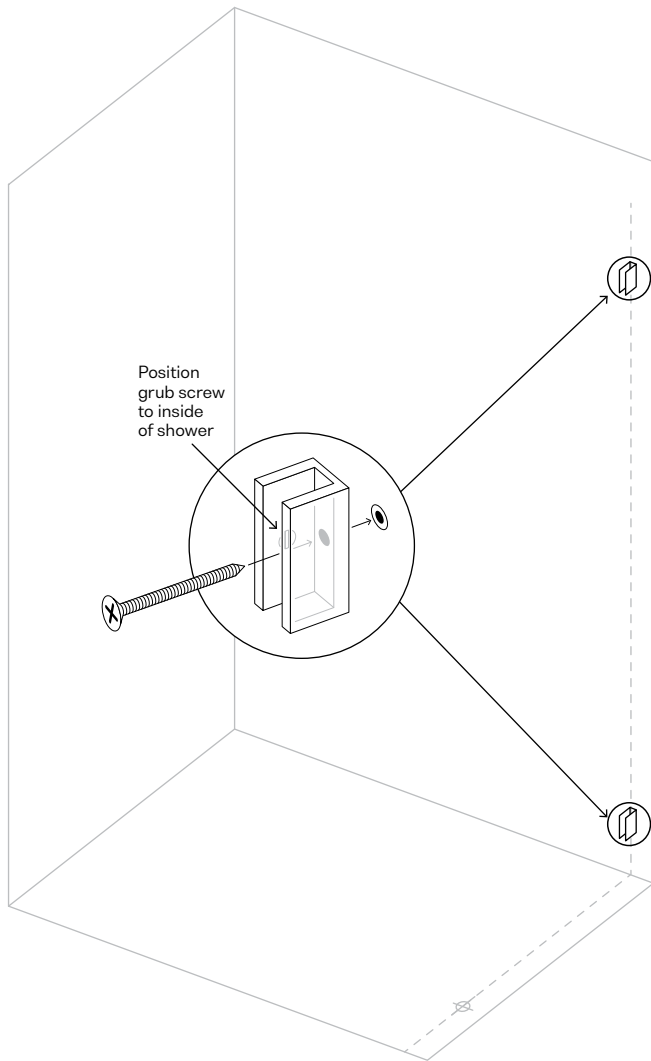
Using a **6mm** drill bit, drill holes and install the wall anchors. Trim excess from the wall anchors hanging out of hole with utility knife so clips sit flush to wall.

If the shower wall is fiberglass, use a **3mm** drill bit for the wall holes. You will not use the green Anchor but rather screw the Wall Clips directly into the fiberglass shower wall.

Important: If installing an enclosure with fiberglass walls, a stud *must* be directly behind where the panels will be installed.

An 3mm tile drill bit can be used to create pilot holes for a tiled enclosure, but this is optional.

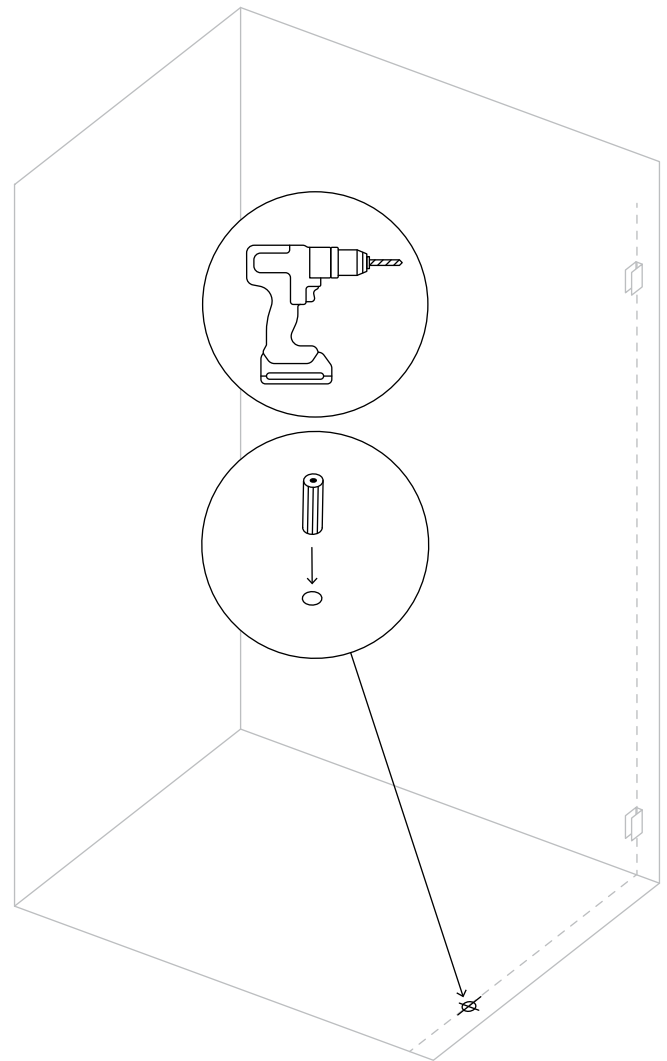




05

Fix Wall Clips for Return Panel.

Place Wall Clips over holes and drill in screws to secure the Clips. Be sure grub screws on Clips are facing the shower interior. Make sure the clips are securely tightened to the wall.



06

Drill the hole for Return Panel Bottom Clip.

If you are not drilling into your shower base and prefer the Rubber Blocks option instead of using the Bottom Clip, please go to step 9.

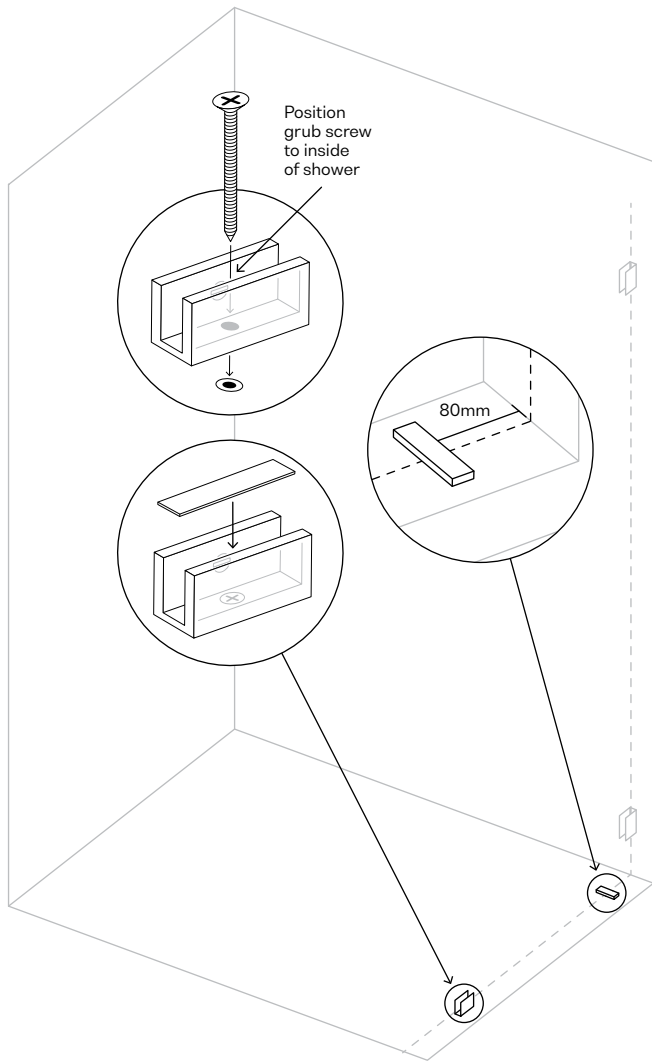
If the shower base is fiberglass, use a **3mm** drill bit for the third hole. You will not use the Wall Anchor but rather screw the Bottom Clip directly into the fiberglass base.

If the base is tiled, use the same **6mm** tile drill bit to drill the holes. Install the anchor and trim excess from the anchor hanging out of hole with utility knife.

Be sure to put a dab of silicone inside hole drilled for the Bottom Clip.

Important: Grub screws in Clips must have rubber tips so it can contact glass panel without damage. Please contact us if grub screws are missing rubber tips.

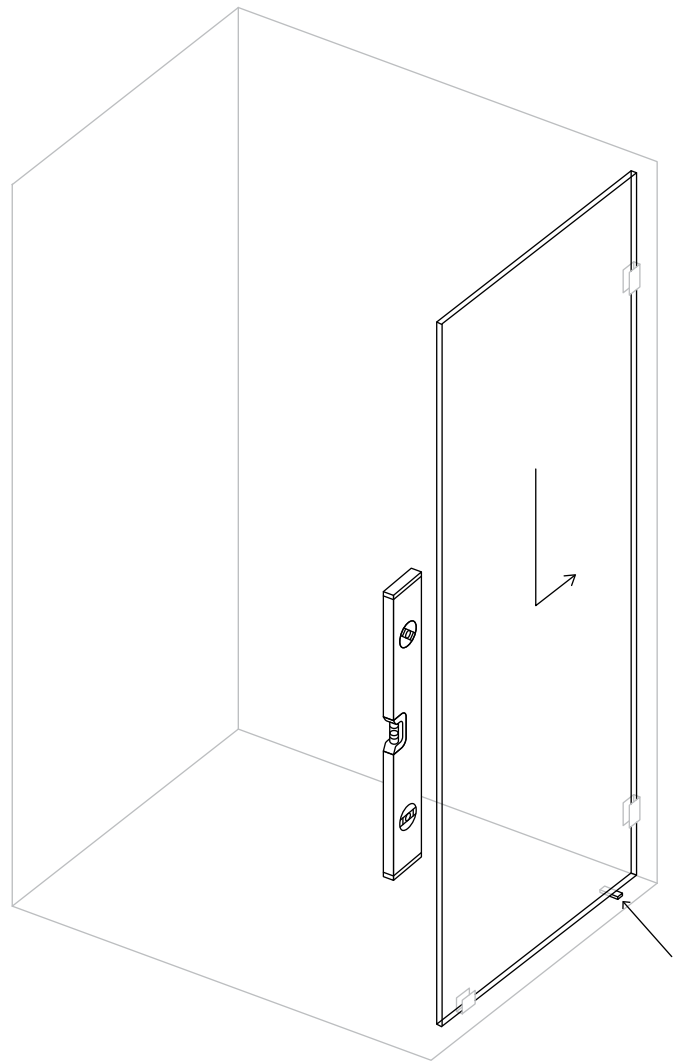




07

Install Return Panel Bottom Clip and Rubber Block.

Install Return Panel Bottom Clip and place a **2mm** rubber block inside the Bottom Clip to protect Return Panel during installation. Place **3mm** thick Rubber Block provided **80mm** in from where the Return Panel and wall meet and where the Return Panel will sit on the tile or threshold.

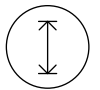


08

Set the Return Panel in place.

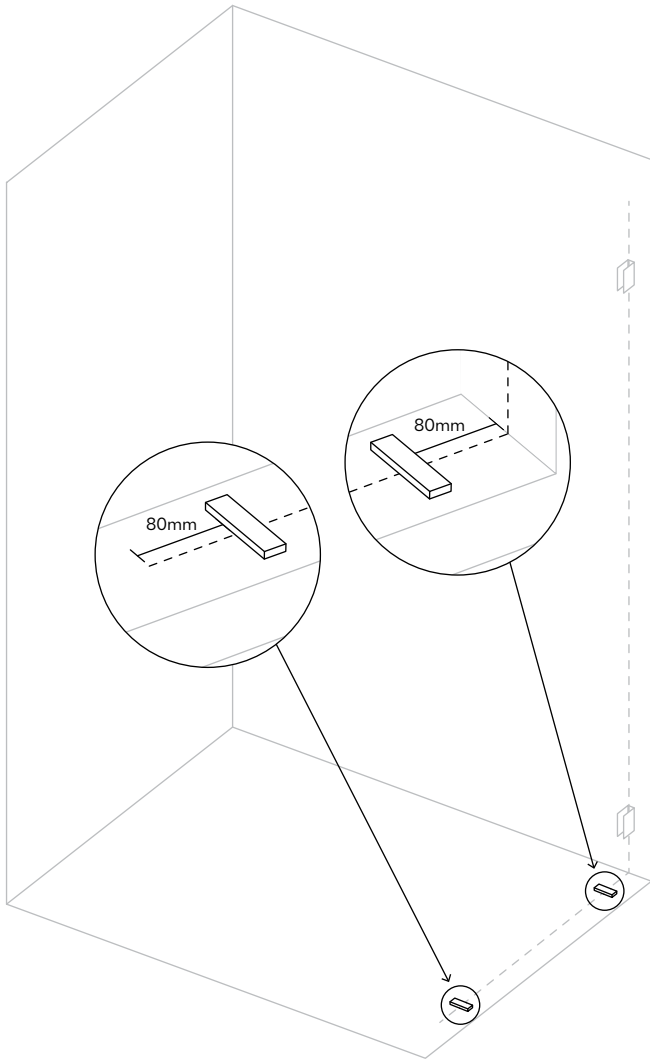
Carefully place the Return Panel on to the Rubber Blocks, into the Bottom Clip and slot it into the Wall Clips. On the edge that will meet the Fixed Panel, use a level to make sure the Return Panel is level vertically and tighten Clip screws. Once finished with Step 08, go to Step 11.

Tip: Use additional Rubber Blocks on existing blocks to raise/drop the Return Panel if required.



Important: There is stamp on the corner of all Future Glass glass panels to certify it is tempered safety glass. We recommend that panels be installed with the stamp at the bottom corner closest to the wall where it is less noticeable. On Door Panels, the stamp must be at the bottom of your enclosure to align properly. Note: the stamp is baked on during the tempering process and cannot be removed.



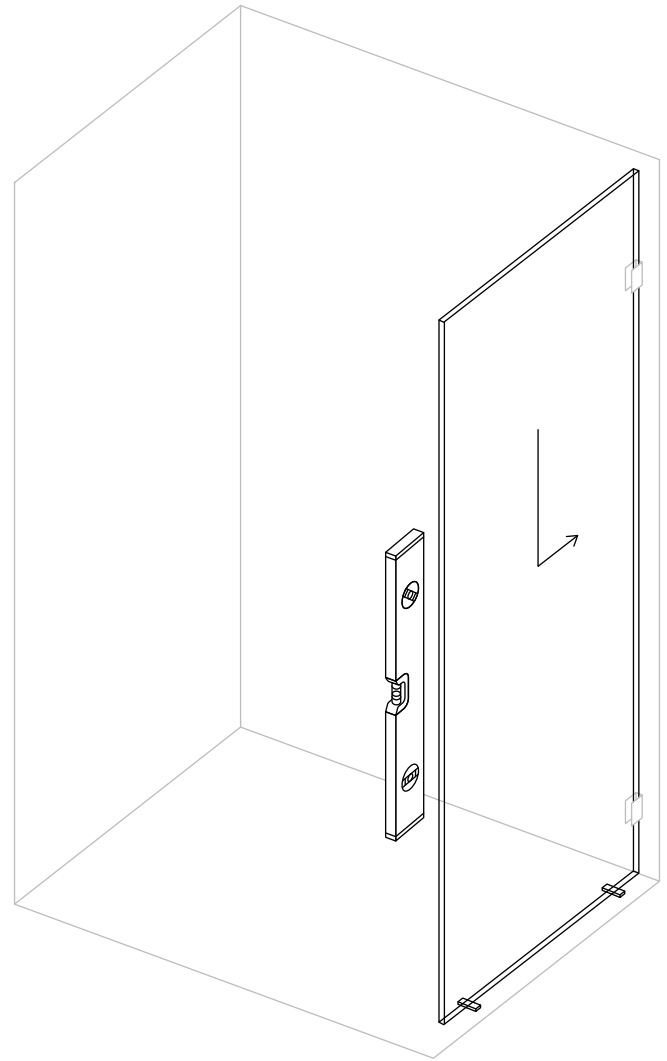


09

Measure and place Rubber Blocks.

If you are not drilling into the shower base and prefer the Rubber Blocks option instead of using the Bottom Clip, continue here.

Measure **80mm** from wall and place the first **3mm** thick Rubber Block. Take the Return Panel width and subtract **80mm** and measure from the wall and place the second **3mm** thick Rubber Block. The Return Panel will rest on the Rubber Blocks.

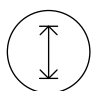


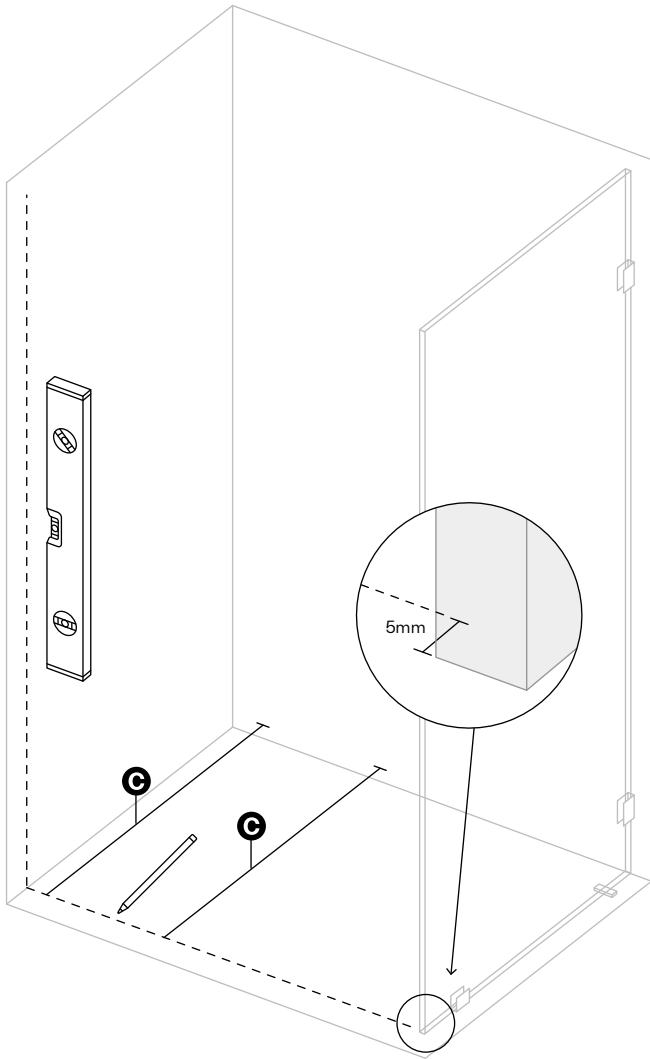
10

Set the Return Panel in place.

Carefully place the Return Panel on to the Rubber Blocks and slot it into the Wall Clips. On the edge that will meet the Fixed Panel, use a level to make sure the Return Panel is level vertically and tighten Clip screws.

Tip: Use additional Rubber Blocks on existing blocks to raise/drop the Return Panel if required.



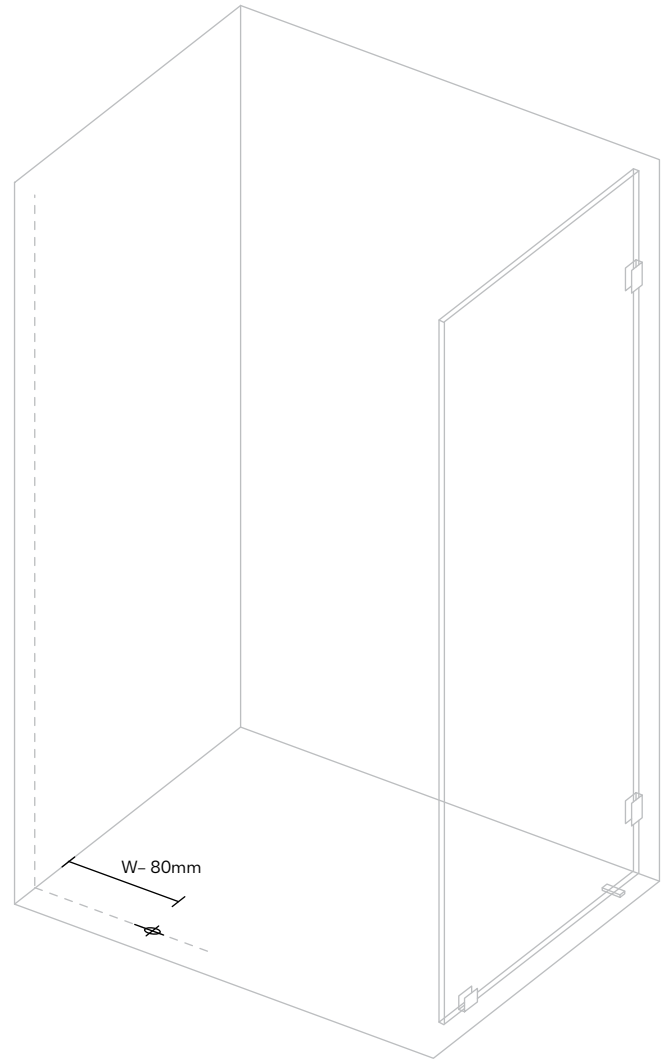


start line from
Return Panel width

11

Mark the Hinge Panel center line.

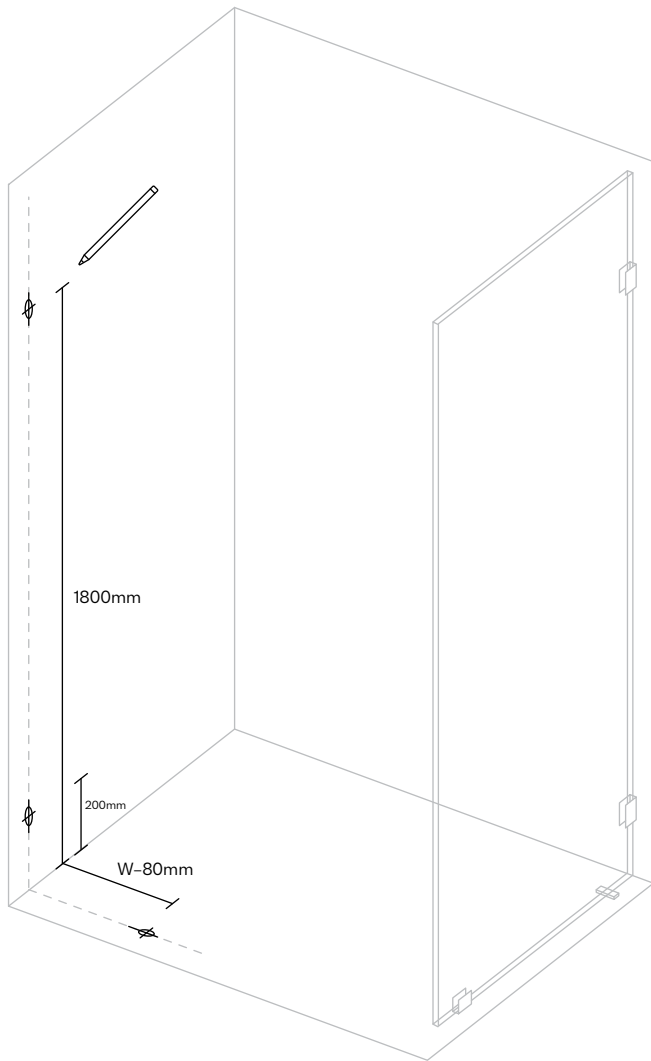
The Hinge Panel outside edge lines up with the interior side of the Return Panel. Measure from the Return Panel wall plus the entire width of the Return Panel and subtract **5mm** (Measurement C from the Before You Start page). This is the the starting point of the Hinge Panel center line.



12

Mark the Hinge Panel Bottom Clip location.

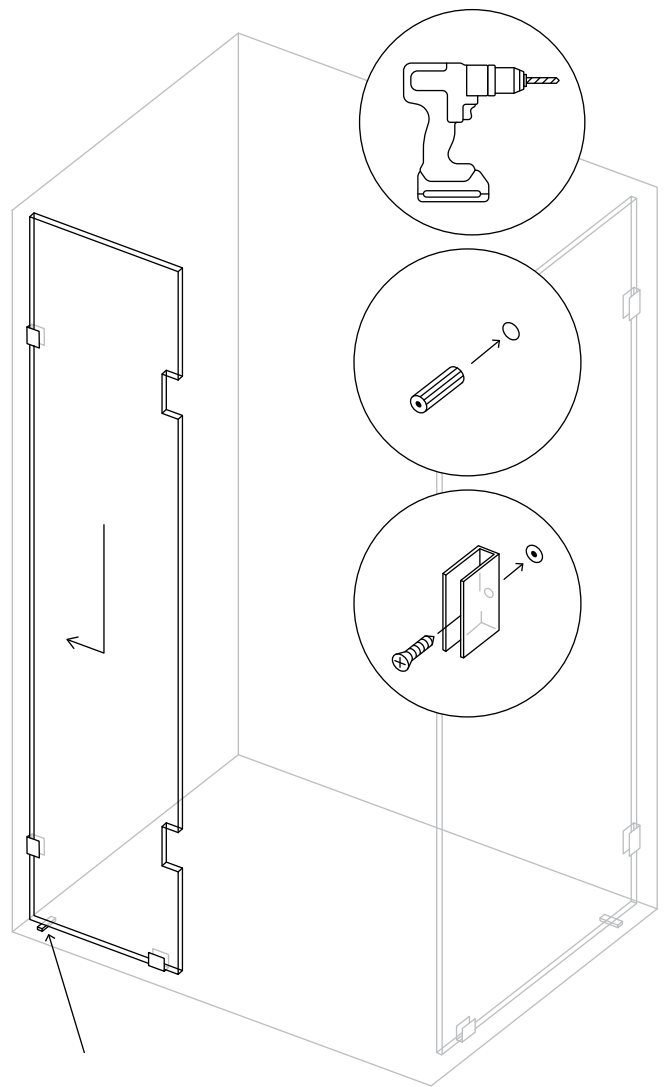
Measure the width of the Hinge Panel minus **80mm** to get the initial measurement for the Hinge Panel Bottom Clip. Measure this distance from the Hinge Panel wall toward the Return Panel. Mark with a pencil.



13

Mark the Wall Clip locations.

- A** 1800mm from the floor, up the vertical line.
- B** 200mm from the floor, up the vertical line.



14

Drill holes, fix anchors and clips, then set Hinge Panel.

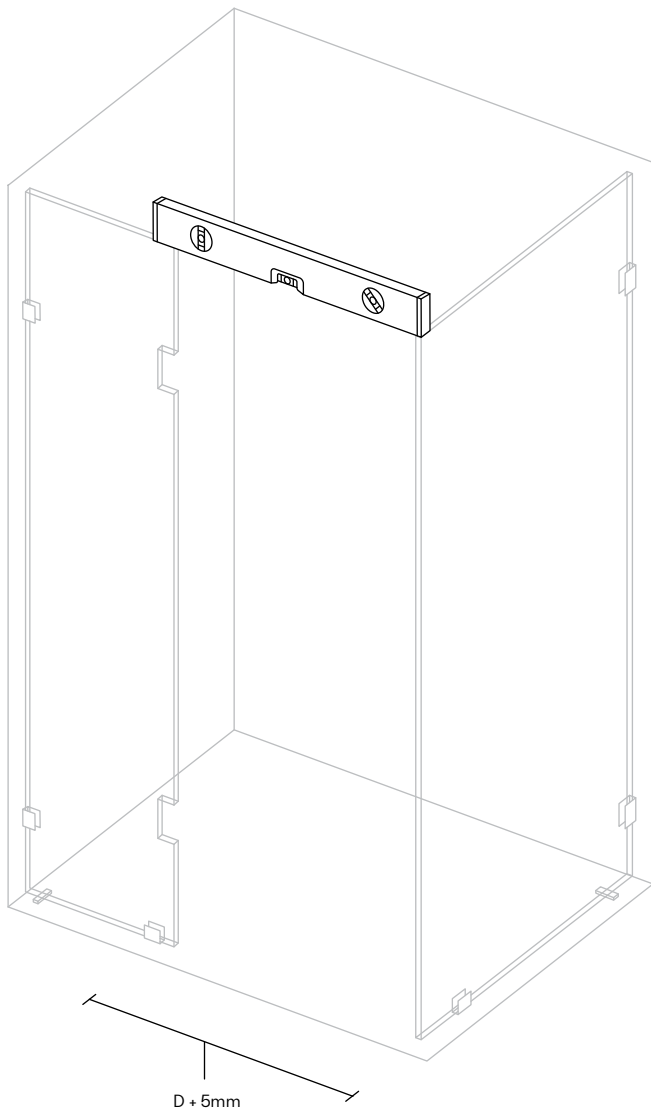
If you are not drilling into the shower base and prefer the Rubber Blocks option for the Hinge Panel instead of using the Bottom Clip, go to Step 15.

Repeating steps 04, 05, 06 and 07:

Drill holes in new locations. Carefully use a hammer to insert anchors, then screw clips in place.

Place the **3mm** rubber block on the floor **80mm** from the wall. Place the **2mm** rubber block inside the floor clip. Carefully place the hinge panel on the rubber blocks and slot it into the wall clips.

Use a level on the outer-edge to ensure the hinge panel is level and in line.



15

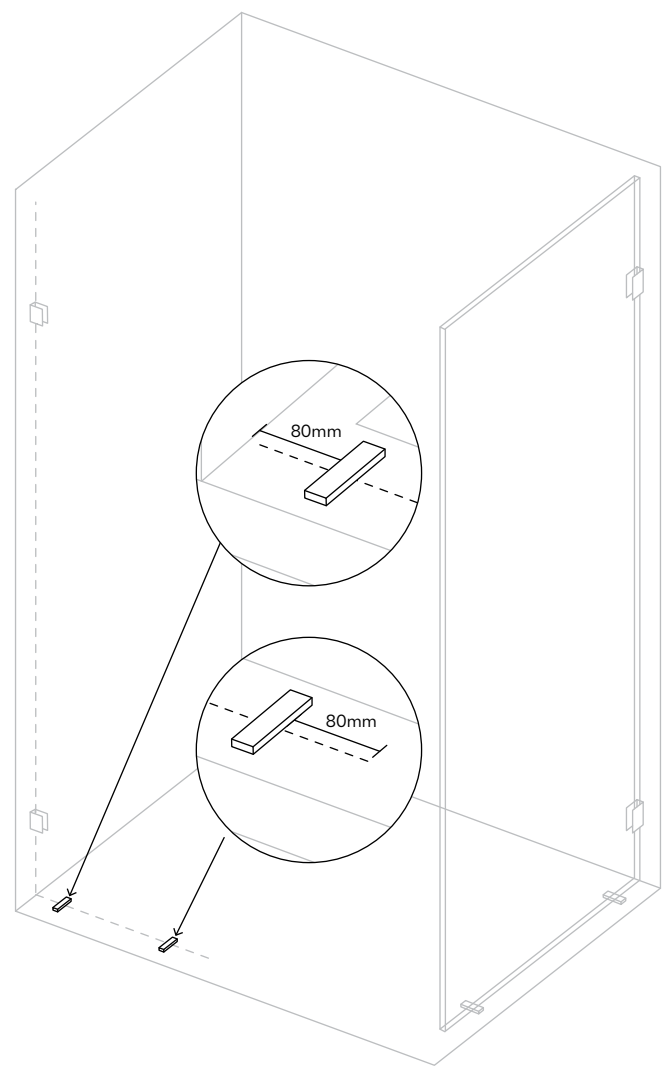
Ensure both panels are level and correctly spaced.

Using a level, check the top of both panels are level and equal height from the floor. If a panel(s) isn't level, use additional rubber blocks to correct it.

Measure the opening between the two panels. This should be **5mm** wider than the Door Panel.

Once level and correctly spaced, tighten the clip screws very tight.

Once finished with Step 15, go to Step 18.

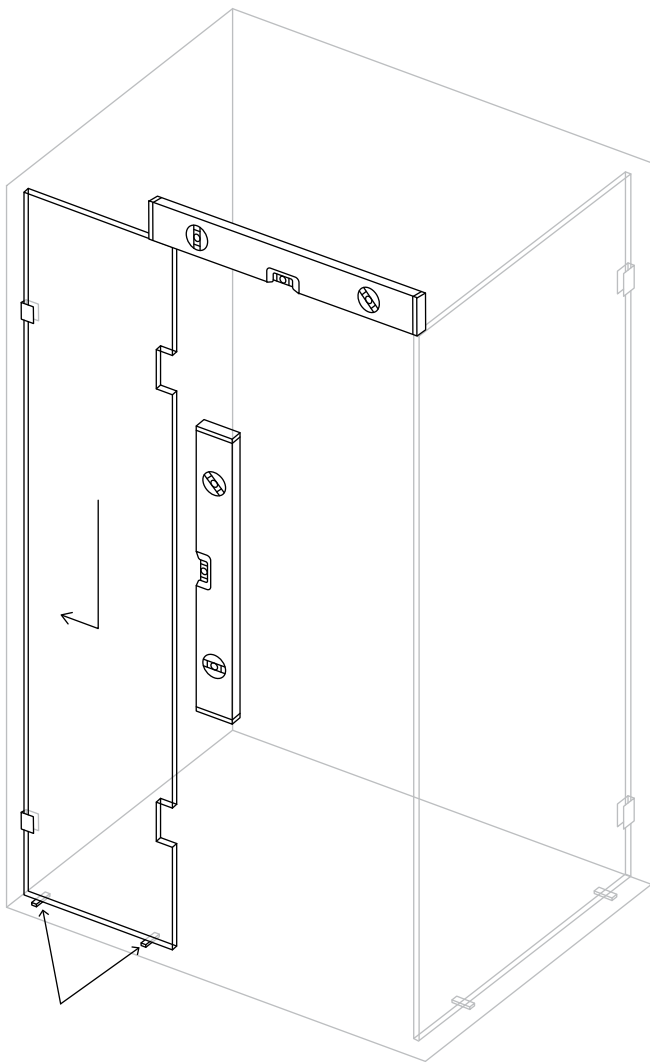


16

Measure and place Rubber Blocks.

If you are not drilling into the shower base and prefer the Rubber Blocks option instead of using the Bottom Clip, continue here. Otherwise, proceed to Step 17.

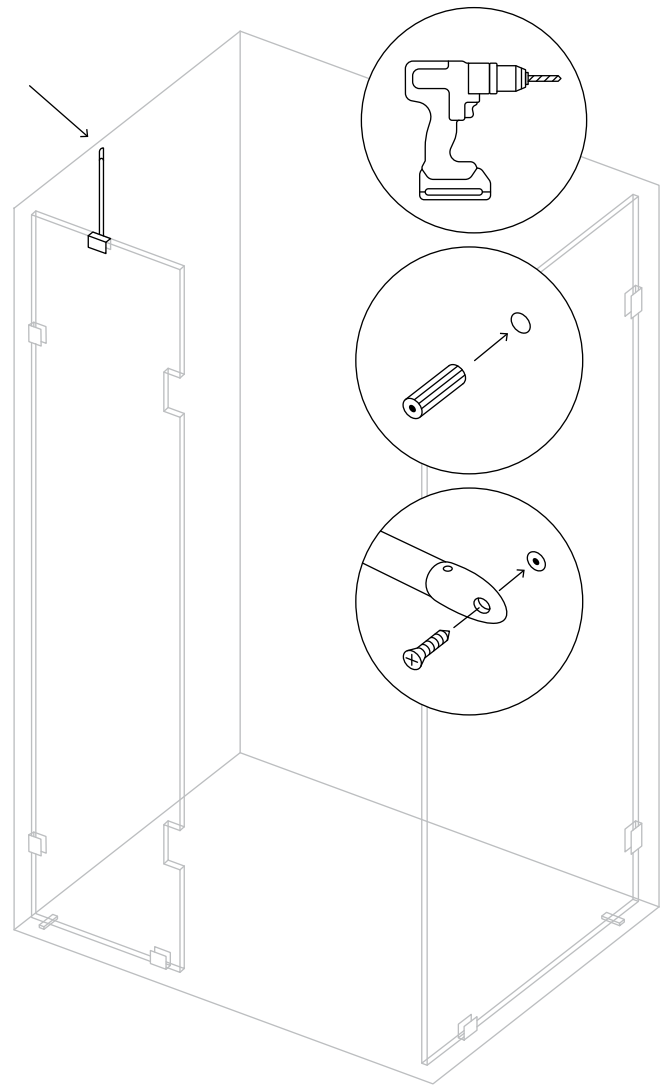
Measure **80mm** from wall and place the first **3mm** thick Rubber Block. Take the Hinge Panel width and subtract **80mm** and place the second **3mm** thick Rubber Block. The Hinge Panel will rest on the Rubber Blocks.



17

Set the Hinge Panel in place.

Carefully place the Hinge Panel on to the Rubber Blocks. Use a level to make sure the Hinge Panel is level and the top edge is level with the top edge of the Return Panel. Once level, tighten the grub screws very tight.



18

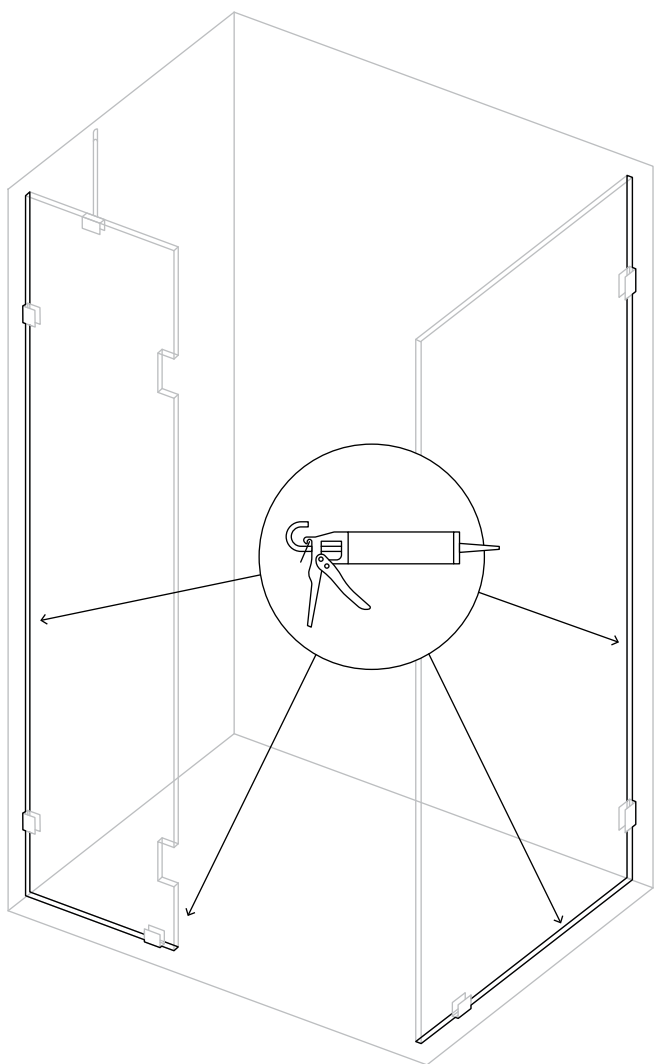
Install the 45° rod. Optional for additional support.

Loosen the allen bolt inside the clip and place on top of the hinge panel. Position the 45° rod so the other end is flush with the wall. Mark position of screws on the wall before removing the rod.

Using a **6mm** tile drill bit, drill the two marked holes on the wall. Then use a hammer to insert wall plugs.

Place the 45° rod back in position and drill wall screws in to secure. Lastly, tighten the allen bolt inside the clip. Repeat for the other panel.

Note: If your hinge panel is **300mm** or less, you'll need to shorten the rod. Remove the end cap, cut to the required length. Then replace the end cap and tighten the bolt.


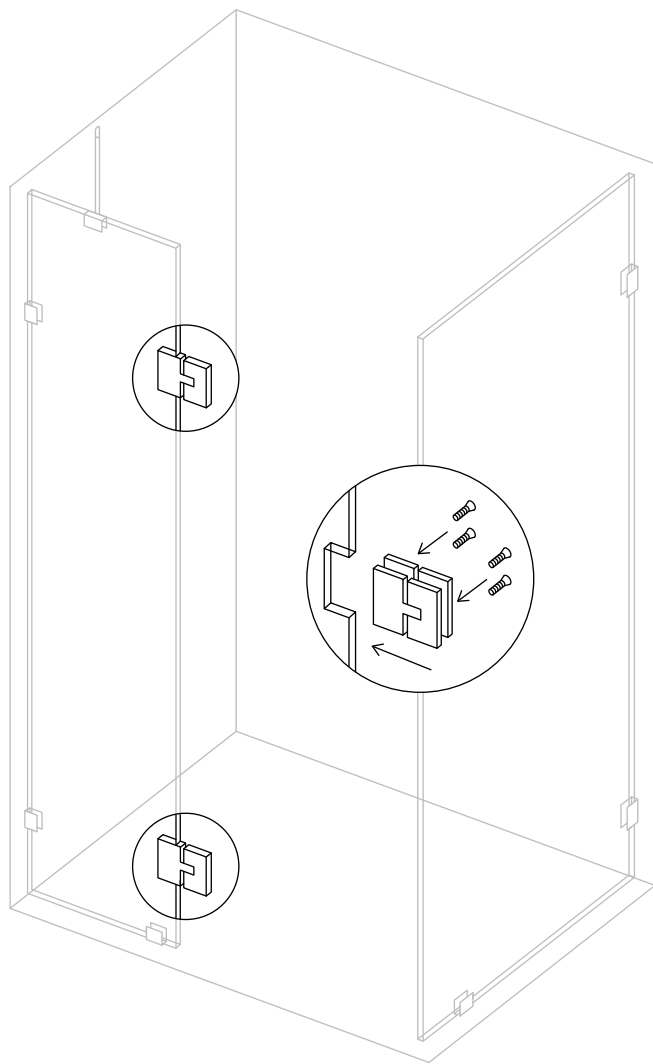


19

Apply silicone to seal both panels.

Trim the rubber blocks with a utility knife so that they are flush with the glass panels resting on top of them. Apply silicone around the wall and floor surface of both panels. You need to silicone both the inside and outside edges ensuring the gap between glass and tile is completely sealed. Once sealed, spray the silicone with water and use a spatula (available in our Install Kit) to remove any silicone residue.

Important: It is essential the Hinge Panel is siliconed. Silicone must cure for a minimum of 36 hrs before hanging Door Panel. **This step MUST be followed for the safety, security and integrity of the model.** Failure to follow this step as instructed can result in serious injury and will void the FG Warranty.

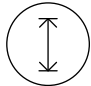
20

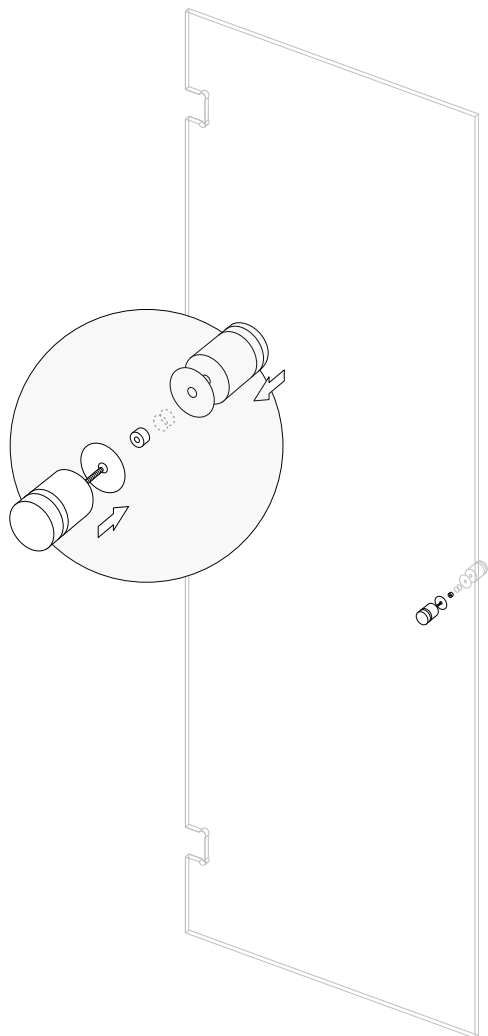
Attach the hinges to the hinge panel.

Slide the solid plate side of the hinge in to the hinge panel cutout, ensuring the screws face into the shower. Lightly tighten screws.

Remove the backing plates from the hinges where the door will attach.

Tip: Center each hinge within the cutout will give you space to adjust the door height once installed.

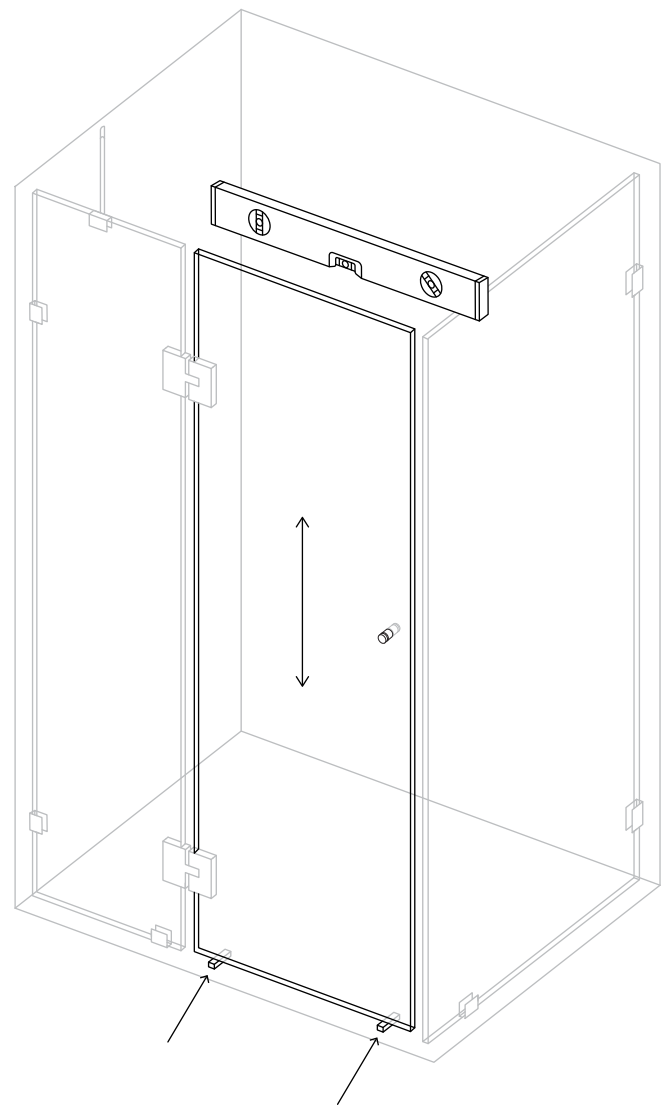




21

For Door Knob - Attach the door Knob to the door panel.

Place the plastic washers (D) in the door knob holes. Then attach the handle as illustrated above.



23

Set the Door Panel in place.

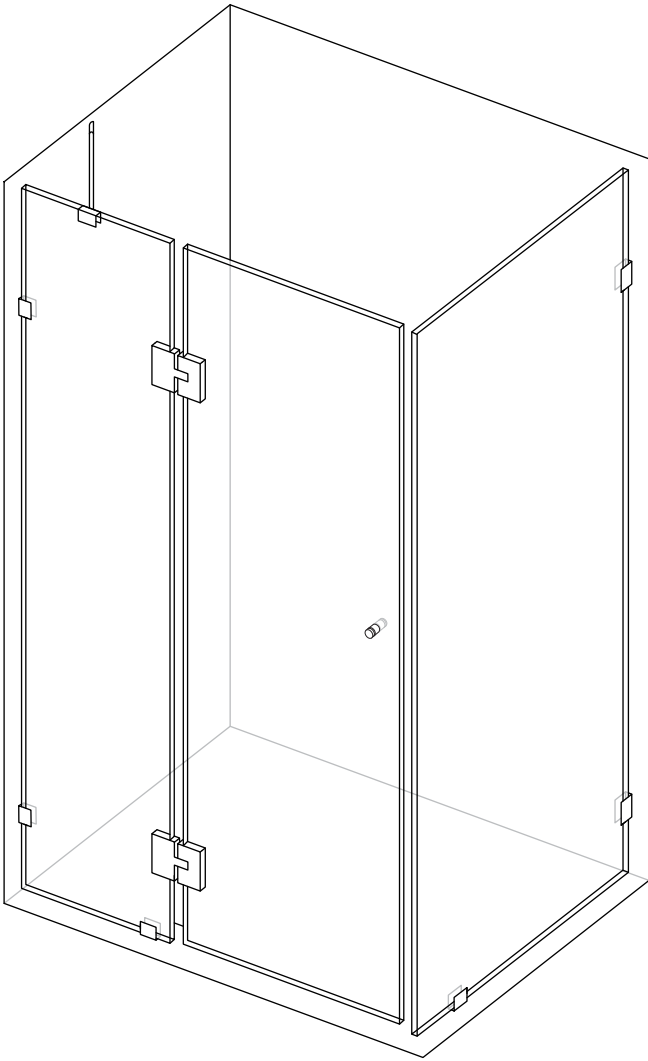
Place two of the **10mm** rubber blocks on the floor between the Hinge and Return panels – **50mm** from each panel.

Standing inside the shower, carefully place the door panel on the blocks and line up the cutouts with the back of the hinges. Check that the top of all three panels are level. Next, check that vertical gap on either side of the door is even.

Note: The door panel is **10mm** shorter than the hinge panel to allow for swing and door seal.

Important: Ensure the handle is firmly secure so it can be used to lift and maneuver the door in the final steps.





24

Tighten hinge screws and you're done.

Put the backing plates on hinges and tighten all four screws on both hinges.

Ensure the screws are very tight and supporting the door's weight. Then carefully remove the rubber blocks and open the door to ensure it's not binding anywhere.

Optional - Attach the door sweep to the base of the door to prevent water leakage from the shower.



Featured Model: Kira Arch Mirror 760x500mm

Reflect on a New Look

Explore our complete range of Archi stainless steel mirrors to compliment your new shower. Choose from many different styles, finishes, and options to give your bathroom that extra bit of style.

FUTUREGLASS

[FUTUREGLASS.COM.AU](https://futureglass.com.au)

© 2024 FUTURE GLASS, All Rights Reserved

Care & Maintenance



EnduroShield makes cleaning easier and less frequent; however it is recommended that you continue to clean the surfaces regularly.

Maintaining the Treated Surface

For best results simply drying the glass with a squeegee or towel after each use will help keep the glass clean and reduce mineral spots forming. The glass needs to be cleaned every few weeks using a damp microfiber cloth and a mild detergent to break down soaps, oils, and conditioners on the glass. General glass cleaners are also suitable, however most of these are finishing agents rather than cleaners, and are an added expense that is not required.

Hard Water Maintenance

In hard water areas, or areas where water drops dry and leave a noticeable dust mark, a build of minerals may occur on the protective treatment. While these may not be removed as easily with the mild detergent, mild acids will often remove the marks quickly. As needed white vinegar should be used to wipe down the glass. Keep in mind the vinegar may be diluted with water, however dilution reduces the effectiveness.

Spray vinegar onto the glass and allow to soak for several minutes. This should dissolve any mineral deposits that have built up on the glass surface. A damp microfiber cloth should then be used to wipe over the surface. For extreme hard water areas we recommended using undiluted vinegar every week or so as a cleaning option to reduce this build up on the surface, rather than allowing the build up to continue over a long period of time.

Caution: Prohibited Products *Note these may damage the treatment and void any warranty

- Avoid the use of any abrasives or polishes including water spot removers, toothpaste, polishes, rough, or gritty substances
- Avoid the use of acids or alkalis that you would not want in contact with your skin for an extended period of time
- Avoid products such as Comet, Ajax, Jiff or Cerium Oxide which polish back the actual substrate
- Avoid the use of any harsh or chemical cleaners, with correct maintenance these are never required

Approved Cleaning Products

The below products have been tested for compatibility with EnduroShield, however there are no specific products that must be used. We feel you should not be required to purchase extra products in order to keep your glass clean. With correct maintenance, all you need for clean glass beyond 10 years is a squeegee, a mild liquid dish soap, and white vinegar.

Any product that does not fall into the prohibited categories listed above will be fine, and below is a short list of acceptable products:

- Windex
- SprayWay (or other alcohol based foaming cleaners)
- Scrubbing Bubbles (or other automatic leave-to-dry daily shower cleaners)
- 7th Generation, Dawn (or other mild eco friendly cleaners)
- CLR (Calcium Lime Rust)
- Mr. Clean Magic Eraser (when damp)

It should be noted that with any cleaner used on the EnduroShield surface a thorough rinse with clean water should follow immediately. Although these cleaners can be used, EnduroShield is designed to be an 'easy clean coating' that does not require harsh or toxic cleaning chemicals to maintain the surface effectively.

If for any reason the recommended maintenance has not been followed for some time, just as it took time for the build up to occur, it will take time to remove the debris from the protected glass surface. This can most commonly be achieved using undiluted white vinegar dampened on a Magic Eraser, or CLR on a Magic Eraser. Depending on the severity of the build up this may take multiple attempts, but once the glass is clean again it will perform like new. Should you have any queries regarding the cleaning of your treated surfaces please contact EnduroShield.

10 Year Limited Warranty - Shower Screens Terms & Conditions.

This warranty is effective as of JANUARY 1, 2024 on all Future Glass Shower Screen purchases

PLEASE READ FUTURE GLASS WARRANTY TERMS AND CONDITIONS BEFORE INSTALLING YOUR FUTURE GLASS PRODUCT. BY USING THE PRODUCT, YOU ARE CONSENTING TO BE BOUND BY THE FOLLOWING WARRANTY TERMS AND CONDITIONS

Future Glass offers the following warranty for its products and components thereof. This warranty extends only to the original owner/end-user for household use only and is not transferable to a subsequent owner. Future Glass reserves the right to modify this warranty at any time, it being understood that such modifications will not alter the warranty conditions applicable at the time of sale of the products in question. This warranty extends for a designated period of time, so long as the product remains in use in its original place of installation and that the product must be maintained as described in the owner's manual supplied with the product. This warranty applies only to Future Glass products purchased from Future Glass directly or from an authorised Future Glass dealer in Australia.

Proof of purchase (original sales receipt) from the original consumer purchase must be provided with all warranty claims. No responsibility is assumed by Future Glass for any special, incidental or consequential damages. **IN NO EVENT SHALL THE LIABILITY OF FUTURE GLASS EXCEED THE PURCHASE PRICE OF THE UNIT.**

Future Glass products must be installed by a fully insured, licensed professional and according to the Future Glass installation instructions and guidelines. Installation of Future Glass product by anyone other than a fully insured licensed professional shall VOID THE WARRANTY. Future Glass recommends that such licensed professionals have experience in the installation of bathroom products - specifically glass shower and glass bathtub doors.

Installation of certain products, including, without limitation, glass products (i.e., shower and bathtub doors) by an unlicensed or inexperienced installer may result in glass breakage and, consequently, may cause personal injury or even death and Future Glass will not be liable.

PARTS ONLY WARRANTY – Limited Warranty 10 years

This warranty is extensive in that it covers replacement of all defects. Future Glass may, at its option, examine and inspect the alleged defective product and Future Glass may request that parts be returned to Future Glass at Owner's expense for factory assessment and inspection. If Future Glass determines product to be covered by the above Warranty, replacement parts will be shipped via ground shipping. Increased costs for expedited delivery, if requested by the Customer, will be the responsibility of Customer. Parts replaced under the terms of this Warranty will

be warranted for the remainder of the original warranty period. **LABOR CHARGES AND/OR DAMAGE INCURRED DURING INSTALLATION, REPAIR, OR REPLACEMENT, AS WELL AS ANY OTHER KIND OF ANCILLARY COST, LOSS OR DAMAGE ARE EXCLUDED.** Please allow up to 1-3 business days for processing of warranty issued parts. Once warranty replacement parts are shipped, warranty is activated and product cannot be returned for refund thereafter.

SHOWER & TUB DOORS, SHOWER ENCLOSURES GLASS

Future Glass shower doors, bathtub doors, and shower screen enclosures are backed by a Limited 10 Year Warranty. Future Glass warrants the glass of shower doors, bathtub doors and shower screen enclosures to be free from defects in workmanship and materials under normal residential use for a period of 10 years commencing from the initial date of purchase by the owner/end-user, contractor, or builder as long as the original consumer purchaser owns the home in which the product is installed. Warranty for plastic seal strips, sweeps or any other vinyl components shall be limited to one (1) year. Future Glass does not warrant glass for scratches, chips, water spots, breaking or any other damage after installation.

SHOWER & TUB DOORS, SHOWER ENCLOSURE HARDWARE

Future Glass shower door, bathtub door, and shower screen enclosure hardware is backed by a Limited 10 Year Warranty. Future Glass warrants shower door, bathtub door and shower screen enclosure hardware (i.e. handles, bath knobs, hinges, clips, brackets, shower rods, 90° corner brackets) to be free from defects in workmanship and materials under normal residential use for a period of 10 years commencing from the initial date of purchase by the owner/ end-user, contractor, or builder as long as the original consumer purchaser owns the home in which the product is installed.

Future Glass hereby disclaims all warranties for products sold as dealer or store displays. Future Glass hereby disclaims all warranties for products used outside of Australia whether expressed or implied, including but not limited to the implied warranties of merchantability and fitness for a particular purpose.

WARRANTY TERMS

Future Glass will, at its election, repair or replace the product found by Future Glass in its sole judgment, to be defective within the warranty period under normal residential use and maintenance. The replacement of a product is limited to supplying a replacement product or part (same as existing or if not available, comparable product). Future Glass warranty obligation shall be discharged upon tender of parts, replacement or repair of the product. Purchaser's refusal to accept the tender terminates all warranty obligations and **VOIDS THE WARRANTY**. Cost of freight for returning products to Future Glass for repairs or replacement

under this limited warranty are the responsibility of the customer. Cost of freight associated with shipping of replacement product(s) or parts covered by this warranty is the responsibility of the original user. Any product replaced or repaired during the warranty period will be covered only for the remaining period of the original warranty. In no event will Future Glass be liable for costs of repair or replacement of any installation material, including but not limited to tile, marble, etc.

FUTURE GLASS IS NOT RESPONSIBLE FOR INSTALLATION, REMOVAL OR REINSTALLATION COSTS OF ANY PRODUCT REQUIRING WARRANTY SERVICES.

Any modification or alteration of any Future Glass products will void the warranty. Neither the authorized Future Glass dealer, nor any other person is permitted to make any affirmation, representation, or warranty other than those contained in this warranty. Any affirmation, representation, or warranty other than those contained in this warranty shall not be enforceable against Future Glass or any other person.

Future Glass product installations must be performed by either a Future Glass authorized agent or a licensed, insured and experienced professional contractor - installations performed by any other party shall void the warranty. This warranty shall not apply to breakage or damages caused by normal wear and tear, fault, carelessness, abuse, misuse, misapplication, improper maintenance, alteration or modification of the unit, as well as chemical or natural corrosion, accident, fire, flood or any other casualty. Improper care and cleaning will void the warranty. Use of cleaners containing abrasive cleansers, ammonia, bleach, acids, waxes, alcohol, solvents or other products not recommended for hardware finishes, glass or acrylic as they may damage the metal or glass finish of your shower door or shower screen enclosure and will void the warranty. For additional product maintenance instructions please refer to the product installation manual. Future Glass is not responsible for any issues arising in connection with errors or omissions in information provided on Future Glass or dealers' websites. This warranty does not extend to any non-Future Glass plumbing or components installed by installers, end users or by any party other than Future Glass.

THE FOREGOING WARRANTIES ARE IN LIEU OF ALL OTHER WARRANTIES, EXPRESSED OR IMPLIED, INCLUDING BUT NOT LIMITED TO THE IMPLIED WARRANTIES OF MERCHANTABILITY AND FITNESS FOR A PARTICULAR PURPOSE. AQUILIA GROUP PTY LTD ("FUTURE GLASS") AND/OR SELLER DISCLAIMS ALL LIABILITY FOR SPECIAL, INCIDENTAL OR CONSEQUENTIAL DAMAGES. FUTURE GLASS IS NOT LIABLE FOR PERSONAL INJURIES OR DEATH TO ANY PERSON OR FOR ANY DIRECT, SPECIAL, INCIDENTAL OR CONSEQUENTIAL DAMAGE, LOSS OF USE, LOSS OF TIME, LOSS OF PROFITS, INCONVENIENCE, INCIDENTAL EXPENSES, LABOR OR MATERIAL CHARGES, OR ANY OTHER COSTS RESULTING FROM THE USE OF ITS PRODUCTS OR PERTAINING TO THE APPLICATION OF THE PRESENT WARRANTY, OR RESULTING FROM THE REMOVAL OR REPLACEMENT OF ANY PRODUCT OR ELEMENT OR PART COVERED BY THIS WARRANTY.

COMMERCIAL USE AND OTHER EXCLUSIONS

This warranty excludes all industrial, commercial and business usage. The warranty period for products installed for commercial applications or used in commercial ventures, including but not limited to motels, hotels, casinos, student housing, condos, apartments, and fitness centers, is a one (1) year limited warranty from the date of purchase for shower doors, bathtub doors, and shower screen enclosures with all other terms of this warranty applying except the duration of the warranty.

FUTUREGLASS

Thank you
for your purchase.

If for any reason you are having trouble with installation, or if the size of the product does not fit your designated space, please contact Future Glass directly and do not return this product to place of purchase.

Future Glass takes pride in providing quality products and customer service. We want to ensure your happiness with your purchase for years to come. We have an extensive range of sizes, so no matter what your measurements are, Future Glass can supply the product to fit!

If you have any questions, please do not hesitate to reach out to us. Thank you again for choosing Future Glass!

Best Regards,

The Team at Future Glass
www.futureglass.com.au
futureglass@aquilia.com.au