

Mirror Cabinet Installation Guide

(Recessed and Wall Mounted Installation)

For Models:

MSCA01
MSCA02
MSCR01
MSCP01
MSCP02
MSCSQ01
MSCSQ02

FUTUREGLASS

Before You Begin

Caution: Risk of personal injury. Cabinets are very heavy. Get assistance for lifting and moving the cabinets



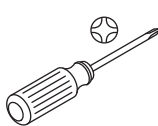
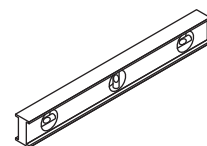
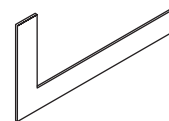
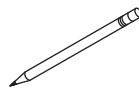
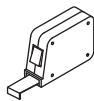
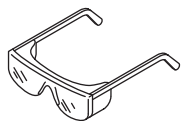
NOTICE: Risk of property or product damage. The location of the cabinet is critical. Make sure that the door will clear all obstacles (such as a faucet or light fixture). Ensure that any obstacles behind the finished wall will not be damaged during the cutting and/or drilling process.

IMPORTANT! Reroute any electrical wires or water supply piping from the wall cavity. If you encounter drain or vent piping or if your wall is load-bearing, consult a professional before proceeding.

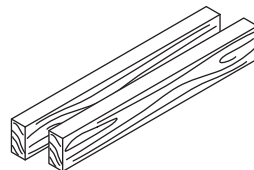
NOTE: Recessed-Mount Installation: The wall cavity must be framed. The cabinet must be secured to the framing studs.

- Observe all local building codes.
- The appearance of your recessed cabinet may differ from the recessed cabinet illustrated. The installation steps still apply.
- This installation is easiest when performed by two people.
- When determining the height of the product, verify that the doors will clear all obstacles (such as a faucet or light fixture). A minimum distance of 3" (76 mm) is required.

Tools and Materials



Stud
Finder



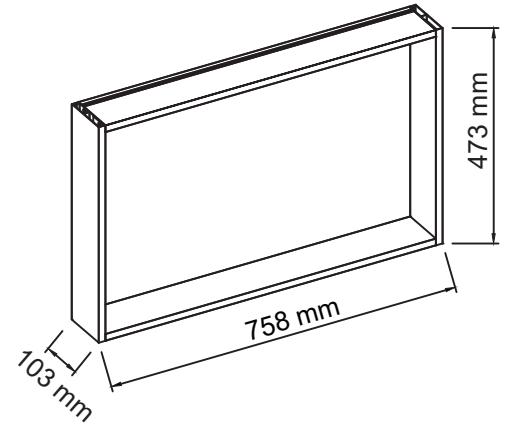
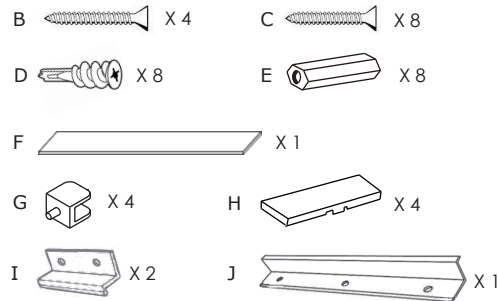
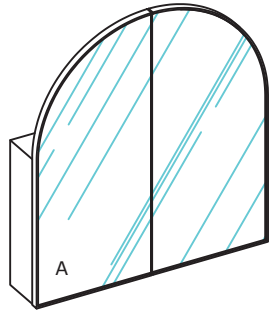
2x4 Lumber

Plus:

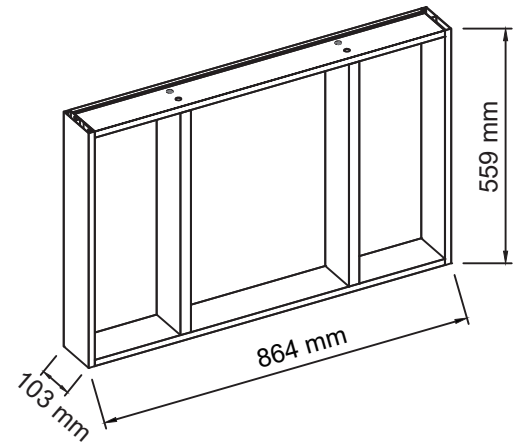
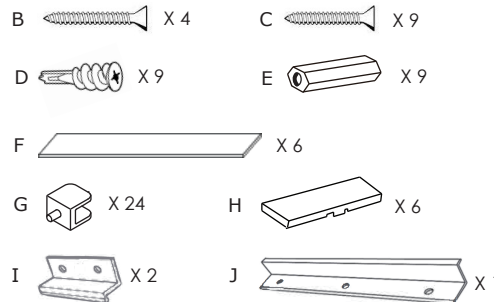
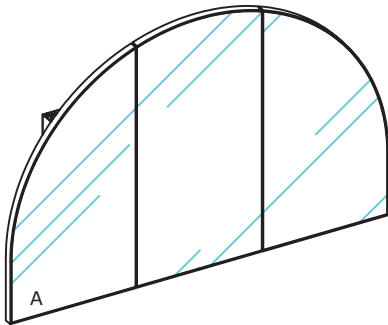
- Wire Cutter/Stripper
- Assorted Drill Bits
- Framing and Plaster Tools
- Framing and Plaster Fasteners

Installation Guide

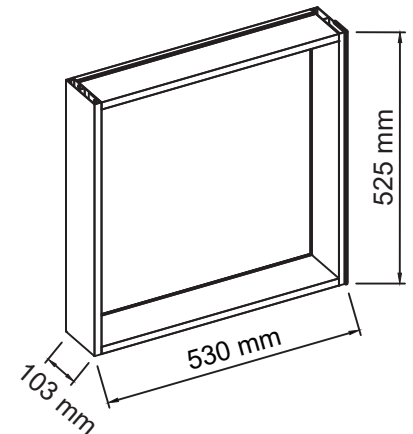
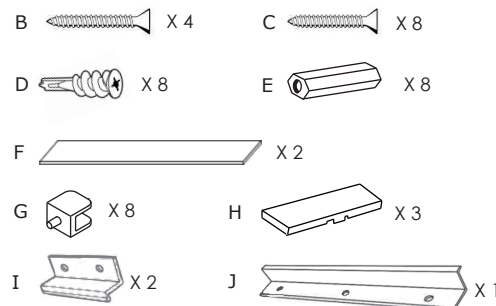
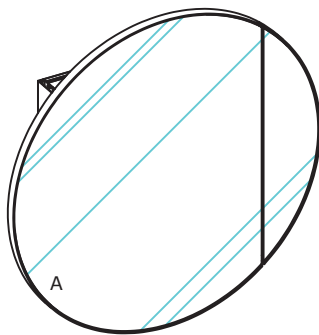
Model MSCA01 (H: 860mm / W: 760mm / 1 Door)



Model MSCA02 (H: 800mm / W: 1200mm / 3 Doors)



Model MSCR01 (H: 800mm / W: 800mm / 1 Door)



Included in your purchase

- A** Cabinet Body
- B** 40mm(L) Flat Head Screw (For Wooden Frame)
- C** 35mm(L) Flat Head Screw (For Wall Mounting)
- D** Plaster Wall Plug (For Wall Mounting)
- E** Anchor for masonry (For Wall Mounting)
- F** Glass shelf
- G** Shelf clip
- H** Cover plate for hinge
- I** Top Bracket (For Wall Mounting)
- J** Bottom Bracket (For Wall Mounting)

Preparation

Measuring the cabinet body of the actual product.

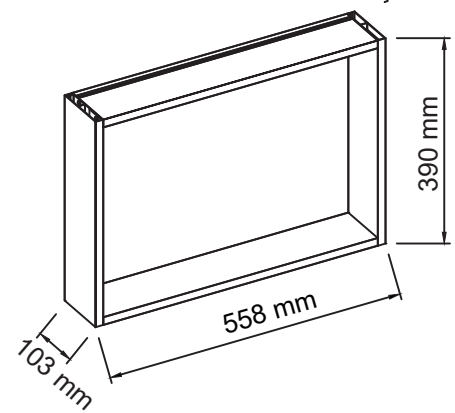
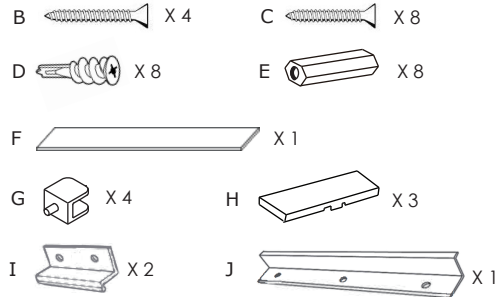
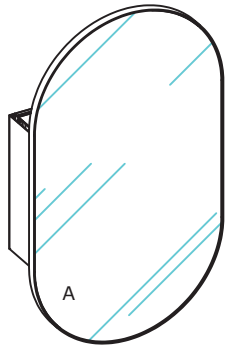
IMPORTANT:

The dimensions of the cabinet body may vary from actual item. Please measure the exact item before making cutout.

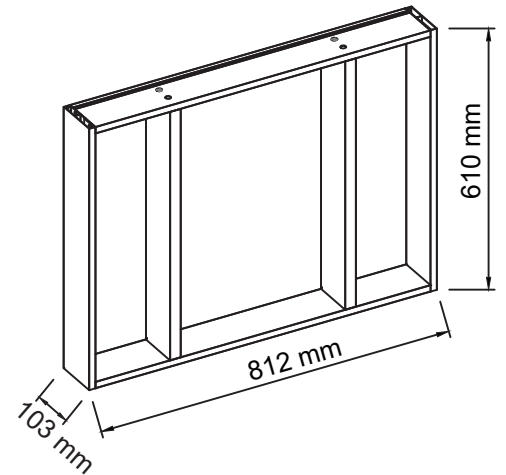
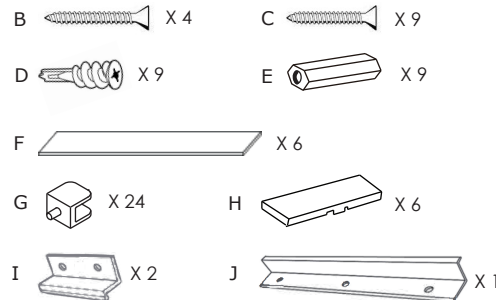
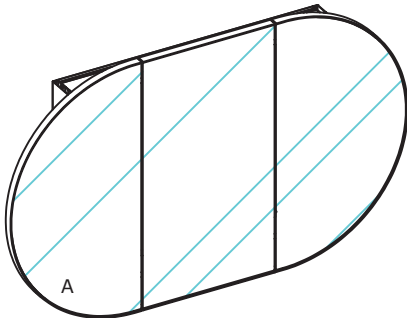


Installation Guide

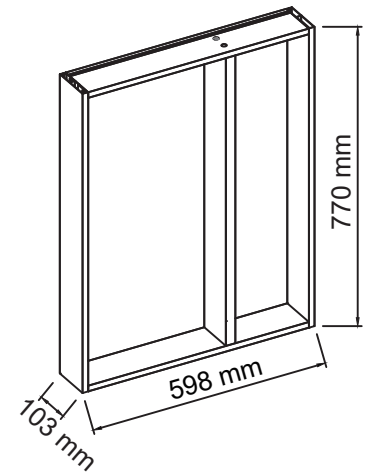
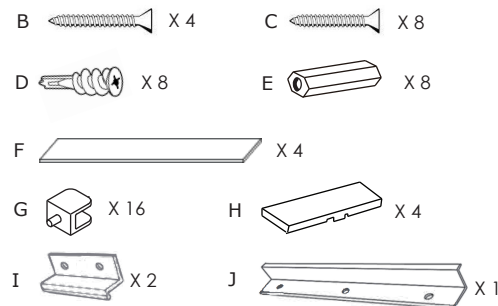
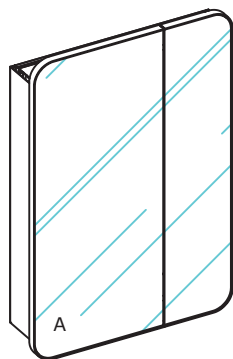
Model MSCP01 (H: 960mm / W: 560mm / 1 Door)



Model MSCP02 (H: 760mm / W: 1200mm / 3 Doors)



Model MSCSQ01 (H: 900mm / W: 600mm / 2 Doors)



Included in your purchase

- A** Cabinet Body
- B** 40mm(L) Flat Head Screw (For Wooden Frame)
- C** 35mm(L) Flat Head Screw (For Wall Mounting)
- D** Plaster Wall Plug (For Wall Mounting)
- E** Anchor for masonry (For Wall Mounting)
- F** Glass shelf
- G** Shelf clip
- H** Cover plate for hinge
- I** Top Bracket (For Wall Mounting)
- J** Bottom Bracket (For Wall Mounting)

Preparation

Measuring the cabinet body of the actual product.

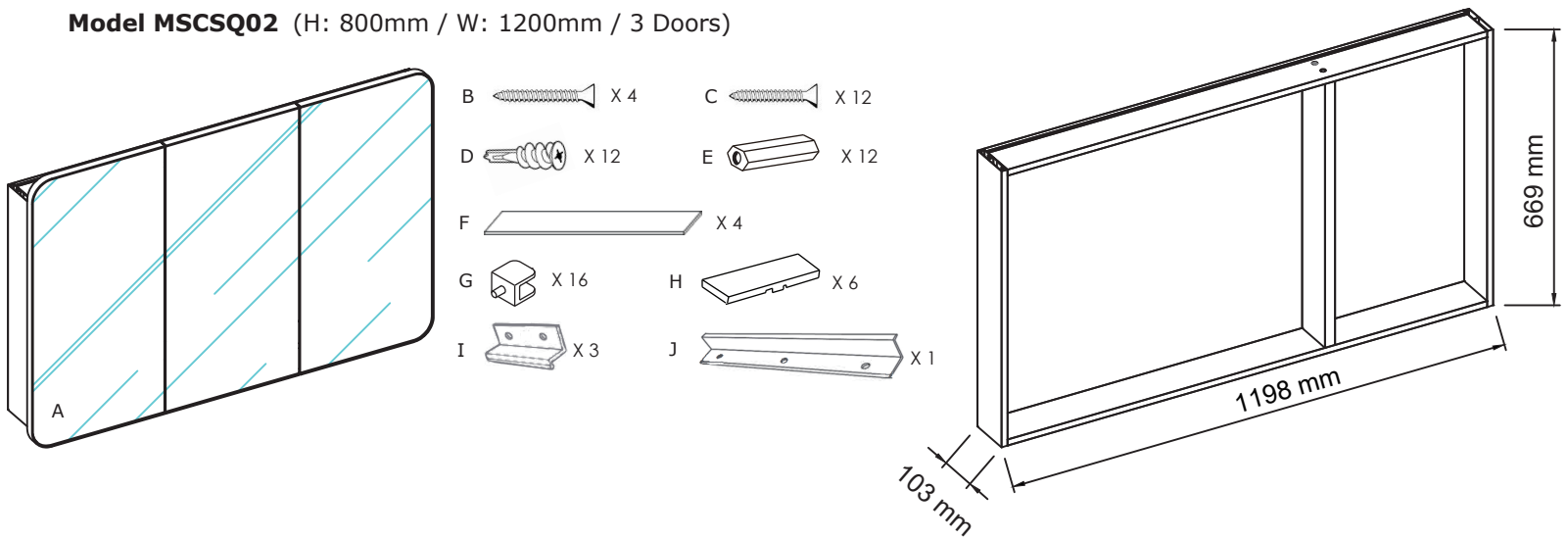
IMPORTANT:

The dimensions of the cabinet body may vary from actual item. Please measure the exact item before making cutout.



Installation Guide

Model MSCSQ02 (H: 800mm / W: 1200mm / 3 Doors)



Included in your purchase

- A** Cabinet Body
- B** 40mm(L) Flat Head Screw (For Wooden Frame)
- C** 35mm(L) Flat Head Screw (For Wall Mounting)
- D** Plaster Wall Plug (For Wall Mounting)
- E** Anchor for masonry (For Wall Mounting)
- F** Glass shelf
- G** Shelf clip
- H** Cover plate for hinge
- I** Top Bracket (For Wall Mounting)
- J** Bottom Bracket (For Wall Mounting)

Preparation

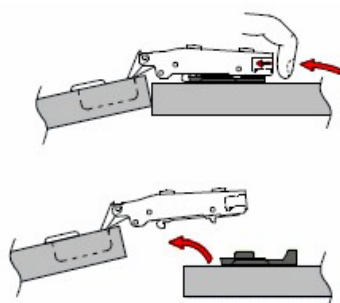
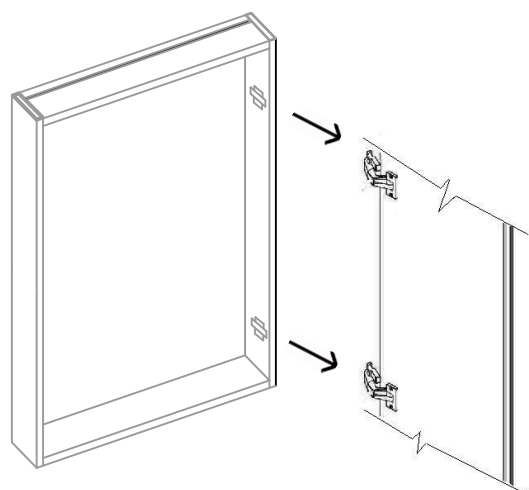
Measuring the cabinet body of the actual product.

IMPORTANT:

The dimensions of the cabinet body may vary from actual item. Please measure the exact item before making cutout.



Wall Mount Installation



01

Disassemble the cabinet door(s)

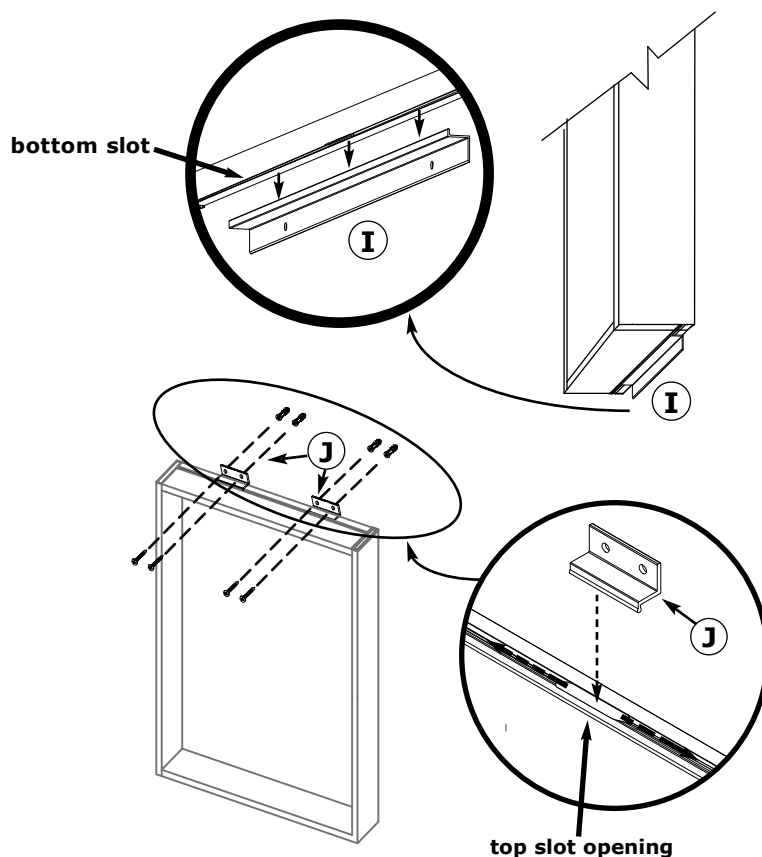
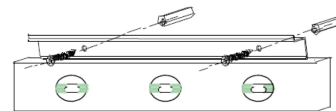
After taking out the cabinet, disassembling the door(s).

The door(s) can be quickly removed by pushing the button on hinge.

Unclipping the door from the mounting plate.

IMPORTANT:

When determining the height of product, verify that the doors will clear all obstacles (such as a faucet or light fixture). A minimum distance of 3" (76mm) is required.



02

Installing the mounting brackets and mounting the Cabinet Body on wall

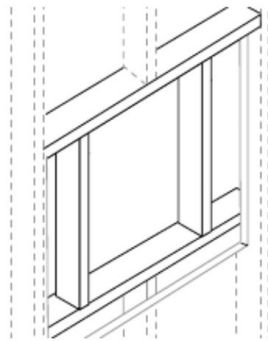
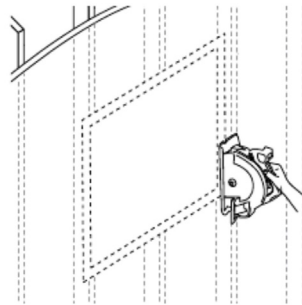
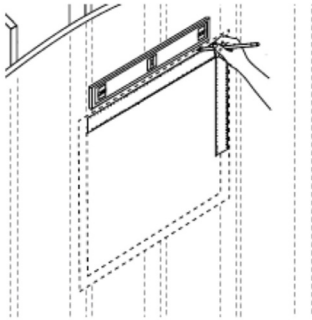
Measure and mark the bottom mounting holes on the wall corresponding to the pre-drilled hole locations in the bottom mounting bracket (Draw horizontal line connecting the two bottom marked locations. The line should be level. Adjust to level if necessary). Install the screws (C) to fix the bottom bracket according to the remarks below.

Put the cabinet body on the bottom bracket and ensure the bracket has been inserted into the slot.

Insert the top brackets into the top slot and move them to correct location. Mark the holes on the wall corresponding the pre-drilled hole locations for top mounting brackets. Install the screws (C) to fix the top brackets according to the remarks below.

- Plaster: remove the screws from the white plaster wall plugs (D). Using a Phillips head screwdriver in the end of the Plaster plug, gently apply pressure and rotate clockwise. The plug will bore its own hole into the Drywall. Continue until the end of the plug is close to flush with the wall. WARNING: DO NOT OVER-TIGHTEN.
- Masonry: Drill holes using a 6mm masonry drill bit. With a hammer, gently tap each Green anchor (E) into the holes until flush with the wall surface.
- Timber: Drill holes using a 3mm wood drill bit. Anchors are not necessary.

Recessed Installation



01

Construct the framing

Measuring the cabinet body of exact item.

Using a jigsaw or keyhole saw, carefully remove the finished wall material from the marked cutout.

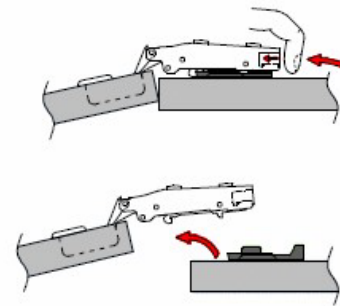
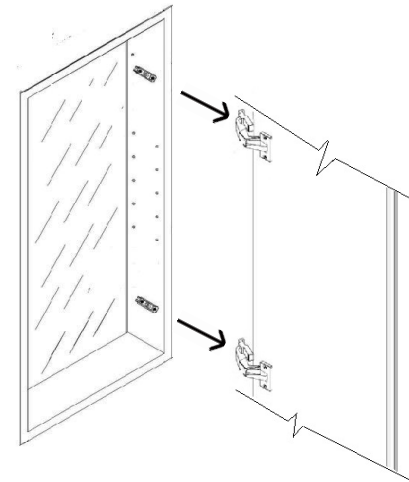
Frame out the wall cavity. If needed, install a header.

IMPORTANT:

The dimensions of the cabinet body may vary from actual item. Please measure the exact item before making cutout.



When determining the height of the product, verify that the doors will clear all obstacles (such as a faucet or light fixture). A minimum distance of 3" (76 mm) is required.



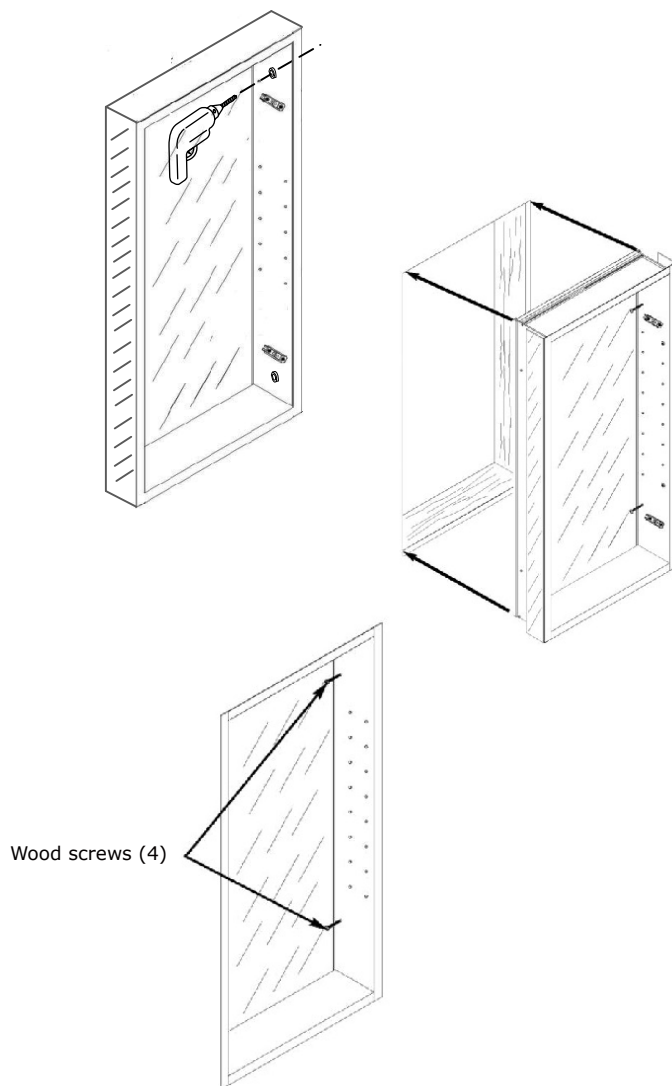
02

Disassemble the cabinet door(s)

After taking out the cabinet, disassembling the door(s).

The door(s) can be quickly removed by pushing the button on hinge.

Unclipping the door from the mounting plate.



03

Install the cabinet body into the framing

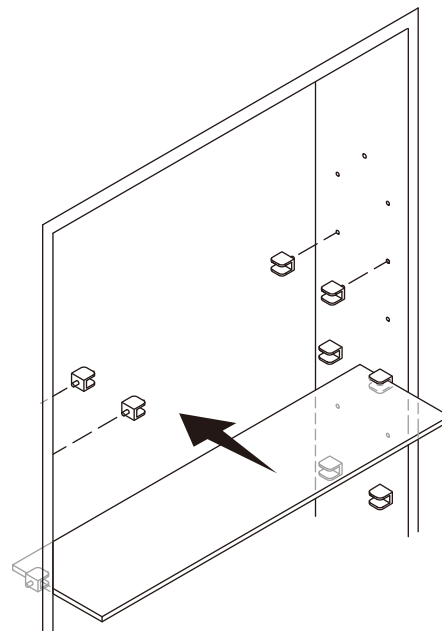
Drill through the 4 Half-Drilled holes (With rivet nuts) for recessed installation by using 6mm drill bit.

Make sure hinges are on correct side of opening for left hand or right hand operation.

Place cabinet body into framing.

Insert 4 wood screws (B) into four locations provided for recessed installation. Be careful not to overtighten. Make sure cabinet is centered in framing.

Important: Enclosed screws are for wooden frame only. Appropriate anchors and screws need to be purchased for installation into non wooden frames.

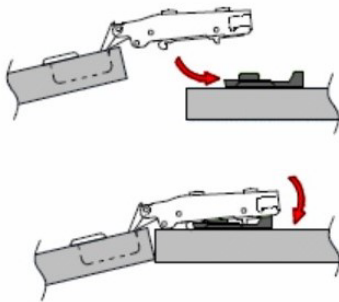
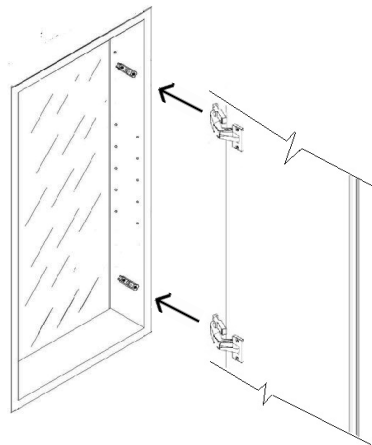


04

Install the glass shelf(shelves)

Determine the shelf(shelves) locations and insert the slotted pins into the holes in the sides of the cabinet.

Install the shelf(shelves) between the slots of the pins and then, tighten the plastic screw at bottom of each clip. Be careful not to overtighten.



05

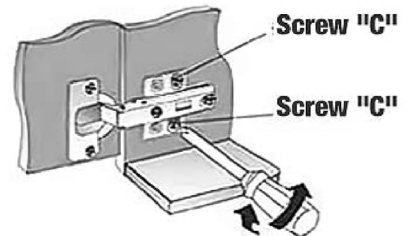
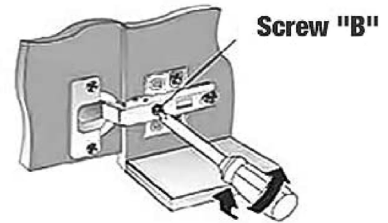
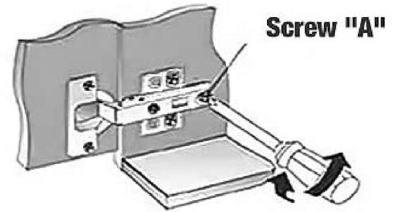
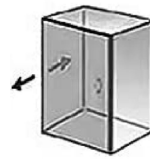
Reassembling the door(s)

After install the glass shelf (shelves) in right position, reassembling the door(s).

Clamp hinge on the mounting plate as shown by direction arrow.

Press down the hinge arm to lock the plate as shown.

Important: For products with more than one door, please make sure you assemble the doors in correct sides by matching the same letters stuck on the mounting plate on cabinet body and hinge arm on door.



06

Adjusting hinges - To make the door(s) in correct position

Front to back adjustment - Turn the screw "A" clockwise or anti-clockwise for moving the door Inward or Outward.

Lateral adjustment - Turn the screw "B" clockwise or anti-clockwise for moving the door Left or Right.

Vertical adjustment - Turn the screw "A" clockwise or anti-clockwise for moving the door Up or Down.

Care and Cleaning

The cabinet door and interior are constructed of mirrored glass, steel and stainless steel. Use only a damp cloth to clean.

Ammonia or vinegar based cleaners can damage mirrors. A solution of 50% of water and 50% of isopropyl alcohol is recommended for mirror cleaning.

A very mild detergent may be used to clean the surface. When cleaning, spray the cloth, not the cabinet, mirror, or surround surfaces. Do not use abrasive cleansers on any part of the cabinet.

FUTUREGLASS

Thank you
for your purchase.

If for any reason you are having trouble with installation, or if the size of the product does not fit your designated space, please contact Future Glass directly and do not return this product to place of purchase.

Future Glass takes pride in providing quality products and customer service. We want to ensure your happiness with your purchase for years to come. We have an extensive range of sizes, so no matter what your measurements are, Future Glass can supply the product to fit!

If you have any questions, please do not hesitate to reach out to us. Thank you again for choosing Future Glass!

Best Regards,

The Team at Future Glass
www.futureglass.com.au
futureglass@aquilia.com.au