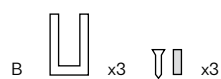
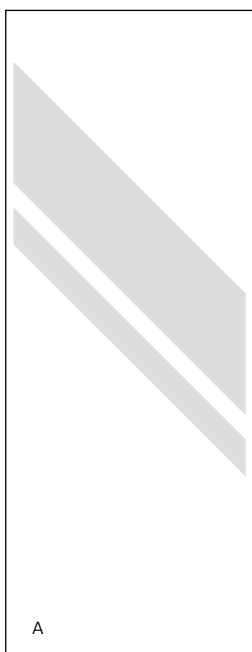


# Shower Enclosure Installation Guide

Single Fixed Panel  
Shower Screen

**FUTUREGLASS**



---

**Included in your purchase:**

**A** Fixed panel (GW-F)

**B** Clips, screws and anchors

**C** Rubber block set (various sizes)

# Thank you for your purchase.

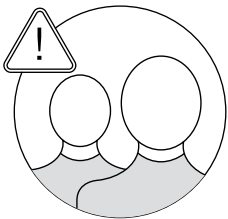
If for any reason you are having trouble with installation, or if the size of the product does not fit your designated space, please contact Future Glass directly and do not return this product to place of purchase. We will work with you to provide a suitable solution.

Future Glass takes pride in providing quality products and customer service. We want to ensure your happiness with your purchase for years to come. We have an extensive range of sizes, so no matter what your measurements are, Future Glass can supply the panel to fit!

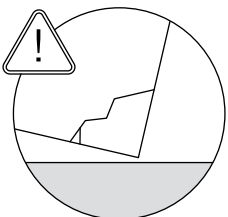
If you have any questions, please do not hesitate to reach out to us. Thank you again for choosing Future Glass!

Best Regards,

The Team at Future Glass  
[www.futureglass.com.au](http://www.futureglass.com.au)  
[futureglass@aquilia.com.au](mailto:futureglass@aquilia.com.au)



**2 person job:** We highly recommend installation is carried out by two capable people, particularly to help maneuver and stabilise the glass panels during installation.

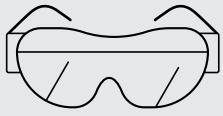


**Caution:** The most fragile parts of tempered glass panels are the corners. Therefore, it is critical you have the rubber blocks in place so the glass never touches the tile surface you are installing onto. Please make sure the glass is always on cardboard packaging or rubber blocks while out of the packaging prior/during install. Rubber block is provided in your hardware pack however you can use wood, cardboard or other rubber products to protect against breakage.

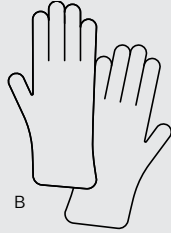


**Attention installer:** A light haze or smudging may be present on the coated glass panels upon delivery. This is easily removed with denatured or isopropyl alcohol and a good quality microfiber cloth, followed by a rinse of water. This can be done before or after installation.

# Installation Guide



A



B

## Safety.

- A Safety glasses/goggles
- B Gloves

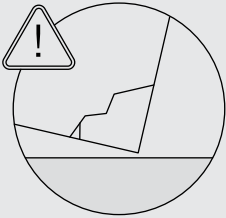


**Important:** To protect yourself in the event of an accidental tempered glass breakage, it is critical that you wear the appropriate safety equipment whilst installing your shower screen. Please make sure that you wear both safety glasses/goggles & gloves whilst undertaking the installation. We have safe installation kits available for sale on our website.

## Protecting your Glass Panels.

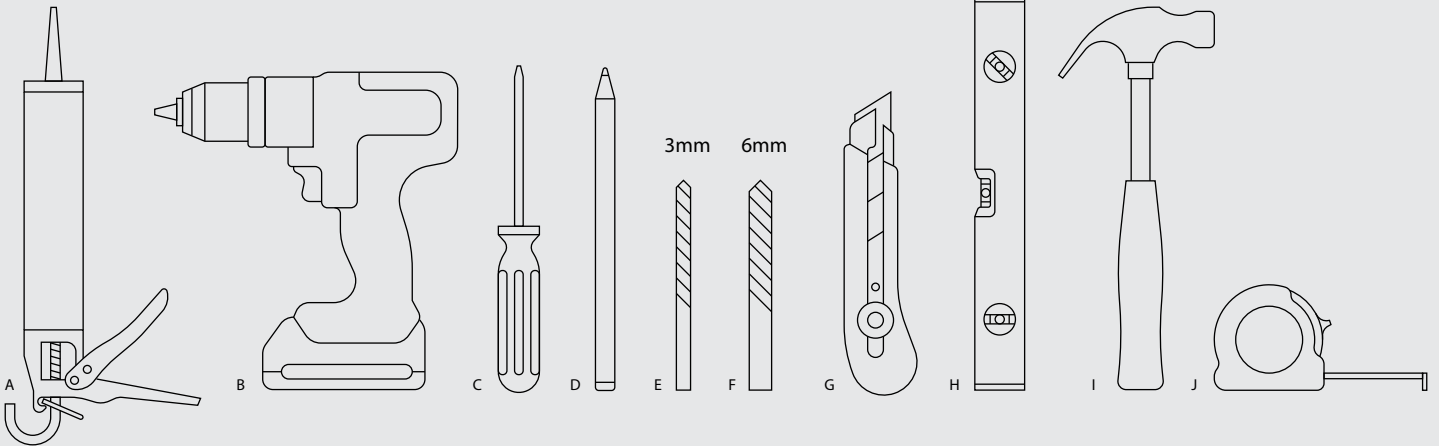


**Important:** Tempered safety glass is designed to shatter on impact with hard surfaces (such as tiles, shower bases, or concrete) and the most fragile parts of tempered glass panels are the corners.



When moving your glass panels, it is critical that the glass never touches the tile surface you are installing onto.

Please make sure the glass is always resting on cardboard packaging or rubber blocks while out of the packaging prior/during install. Protective honeycomb cardboard packaging can be used from the packaging your glass panel arrived in, and rubber blocks are supplied in your hardware pack.

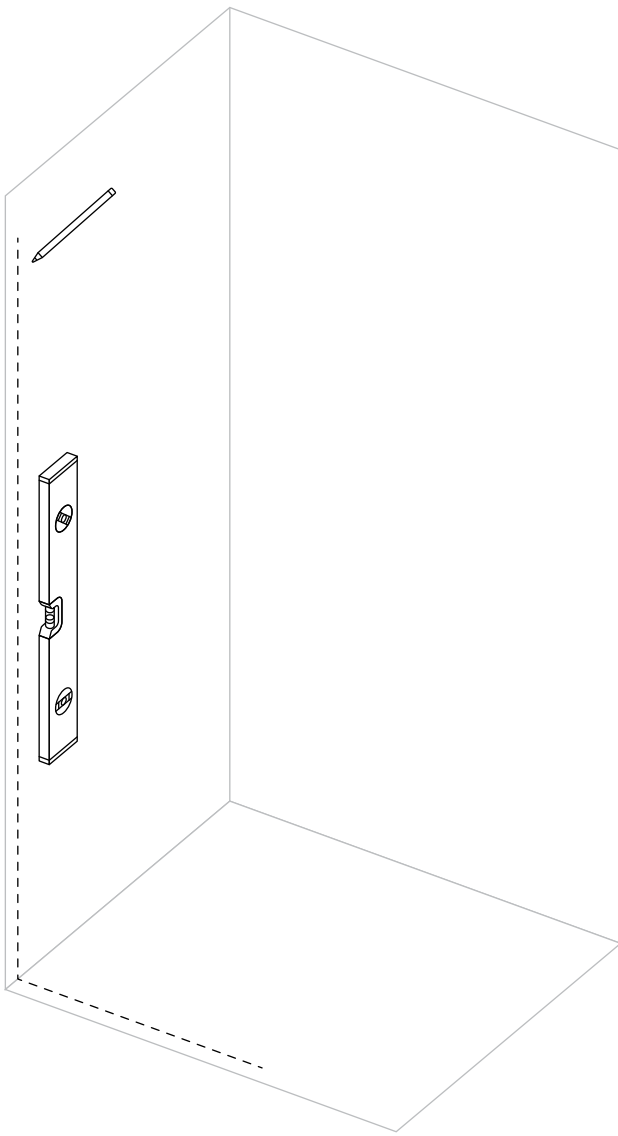


## Tools required for install.

- A Silicone and caulking gun
- B Power drill
- C Phillips head screwdriver
- D Pencil
- E 3mm tile drill bit
- F 6mm tile drill bit
- G Utility knife
- H Level
- I Hammer
- J Tape measure



**Important:** Silicone is necessary for sealing and securing the stationary Hinge Panel and Fixed Panel. Silicone is not provided and will need to be purchased separately. We recommend using a professional grade, clear, mold resistant silicone which can be purchased at your local hardware store.



01

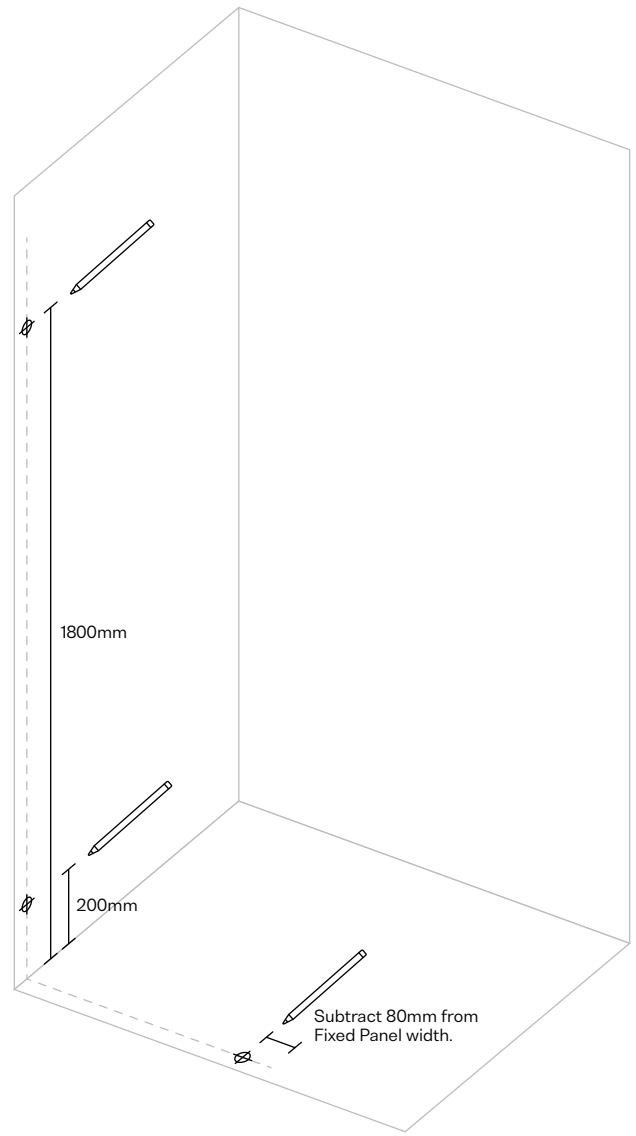
### Measure and mark the Fixed Panel location.

Use a level and mark a line up the wall on the side you wish to place the Fixed Panel. Along the shower base threshold, draw a line equal measure in from the front edge of the threshold. This is your center line for the Clips.

**Important:** This panel is fully reversible and can be installed on right or left hand wall as needed.

If installing an enclosure with fiberglass walls, a stud *must* be directly behind where the panel will be installed.

**Tip:** We recommend marking with a pencil for easy removal.



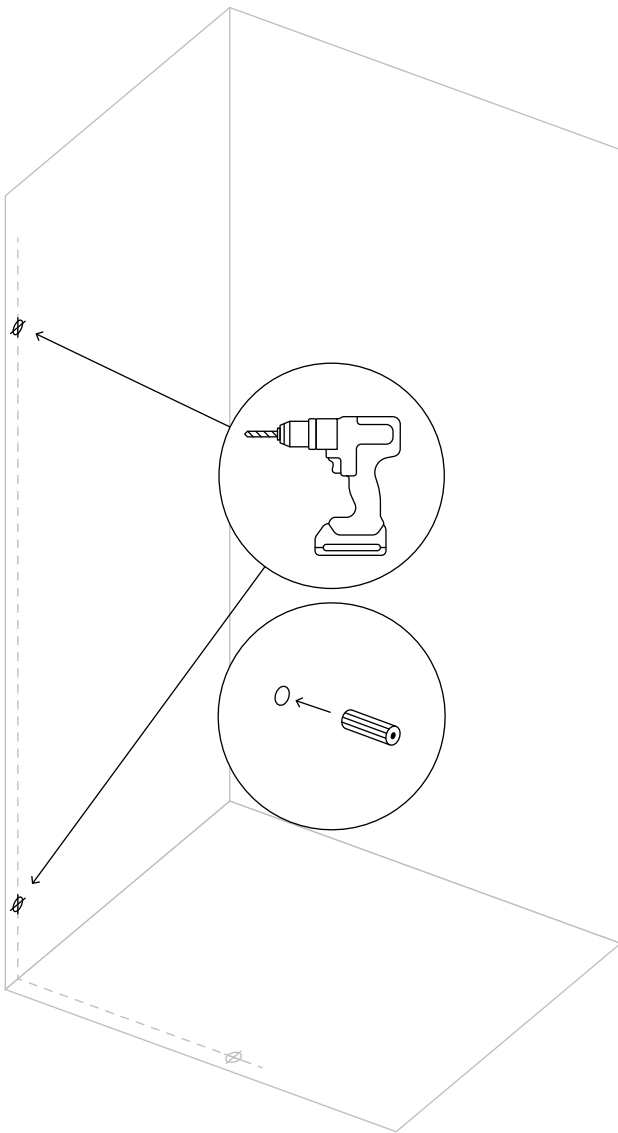
02

### Mark locations for Clips.

- A** 1800mm from the shower base threshold, up the vertical line for the first Wall Clip.
- B** 200mm from the shower base threshold, up the vertical line for the second Wall Clip.
- C** Measure the width of Fixed Panel and subtract 80mm. Measure this distance out from wall and mark on shower base threshold. This is for the Bottom Clip or the Rubber Block option.

**Important:** The third Clip for the bottom of the Panel is optional. If you prefer not to drill into your fiberglass shower base, see step 8.





03

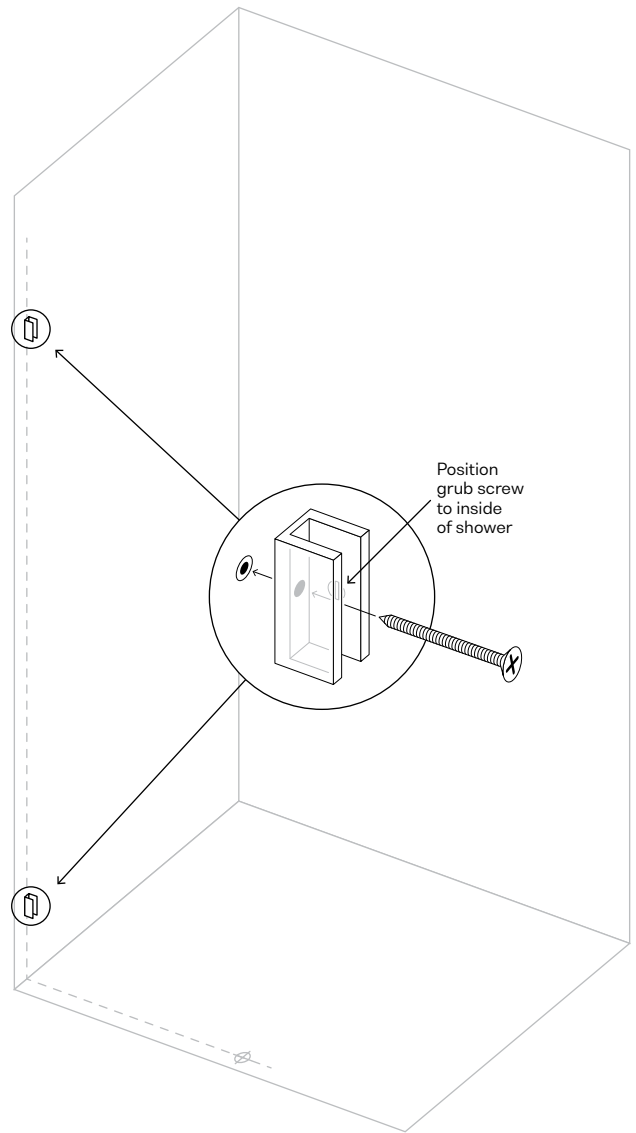
### Drill holes for Wall Clips.

Using a 6mm drill bit, drill holes and install the wall anchors. Trim excess from the wall anchors hanging out of hole with utility knife so clips sit flush to wall.

If the shower wall is fiberglass, use a 3mm drill bit for the wall holes. You will not use the green Anchor but rather screw the Wall Clips directly into the fiberglass shower wall.

**Important:** If installing an enclosure with fiberglass walls, a stud *must* be directly behind where the panel will be installed.

A 3mm tile drill bit can be used to create pilot holes for a tiled enclosure, but this is optional.



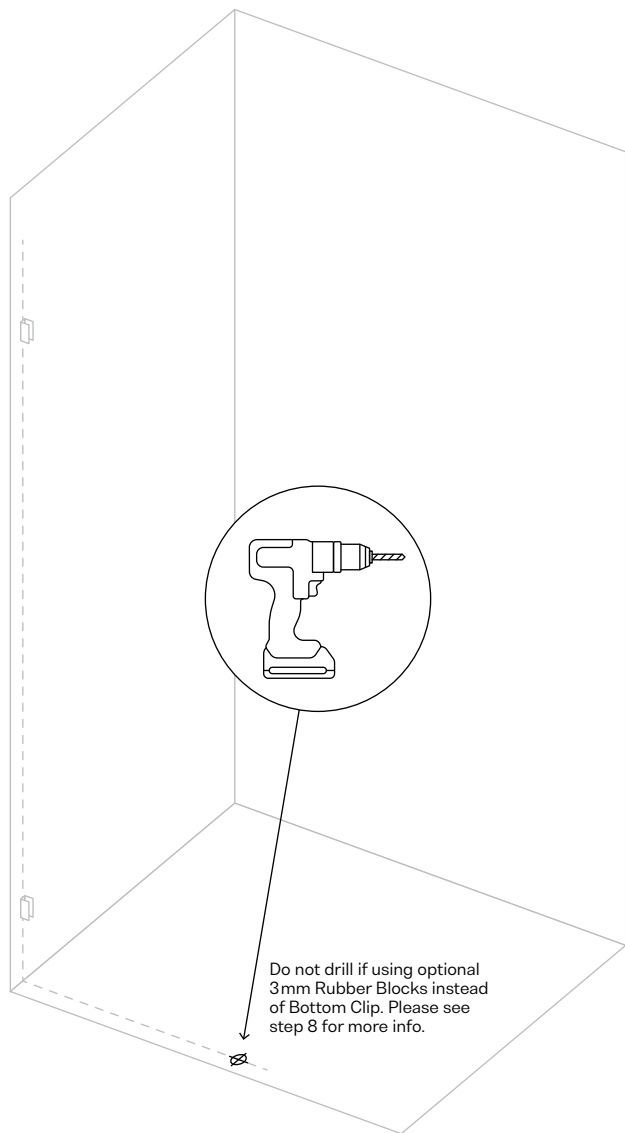
04

### Fix Wall Clips for Fixed Panel.

Place Wall Clips over holes and drill in screws to secure the Clips. Be sure grub screws on Clips are facing the shower interior. Make sure the clips are securely tightened to the wall.

**Important:** Grub screw in Clip must have rubber tip so it can contact glass panel without damage. Please contact us if grub screw is missing rubber tip.





05

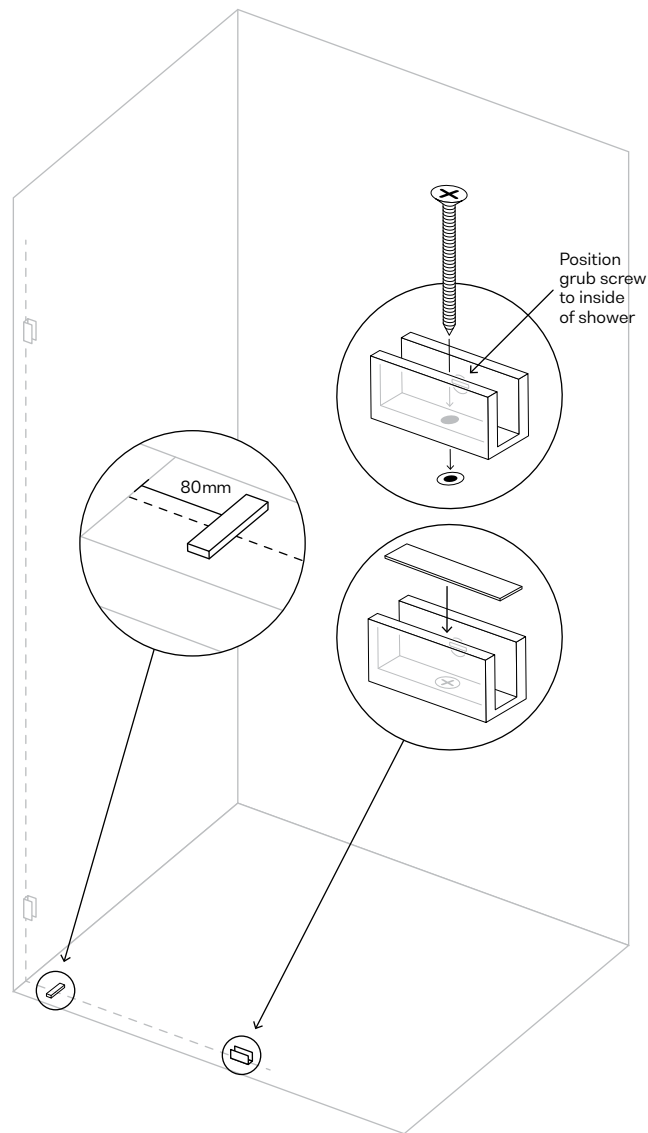
**Drill hole for Bottom Clip option.**

If you are not drilling into your shower base and prefer the Rubber Blocks option instead of using the Bottom Clip, please go to step 8.

If the shower base is fiberglass, use a 3mm drill bit for the third hole. You will not use the Wall Anchor but rather screw the Bottom Clip directly into the fiberglass base.

If the threshold is tiled, use the same 6mm tile drill bit to drill the third hole on the threshold. Insert Anchor.

Be sure to put a dab of silicone inside hole drilled for the Bottom Clip.



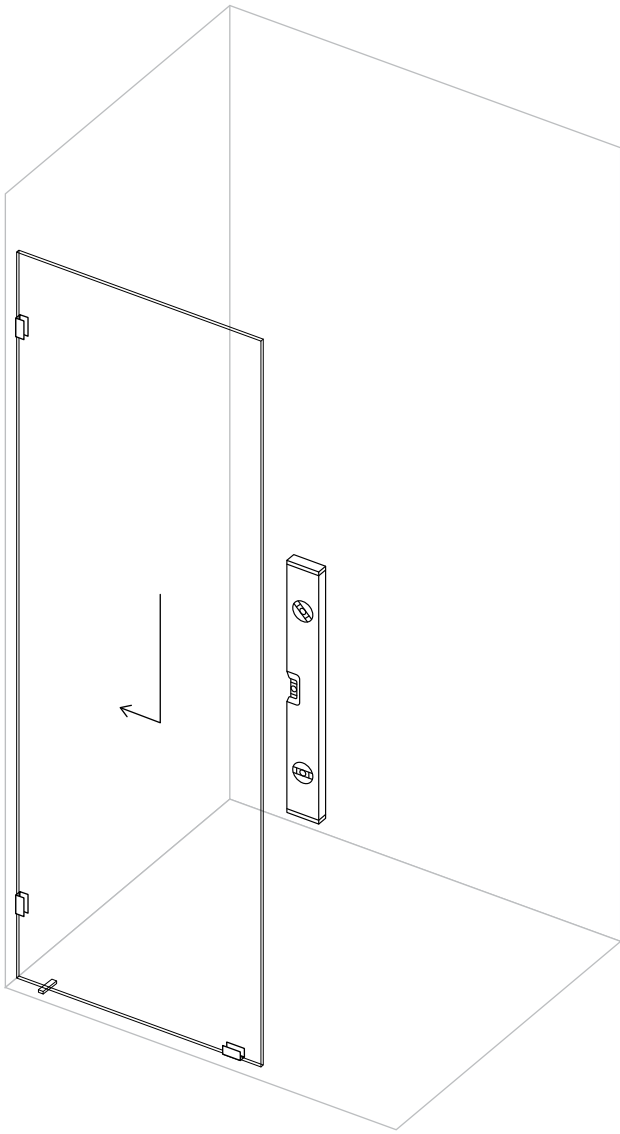
06

**Install Fixed Panel Bottom Clip and Rubber Block.**

Install Fixed Panel Bottom Clip and place a 1mm rubber block inside the Bottom Clip to protect Fixed Panel during installation. Place 3mm thick Rubber Block provided 80mm in from where the Fixed Panel and wall meet where the glass panel will sit on the tile or threshold.

**Tip:** Use additional rubber blocks on either existing blocks to raise/drop the fixed panel if required.





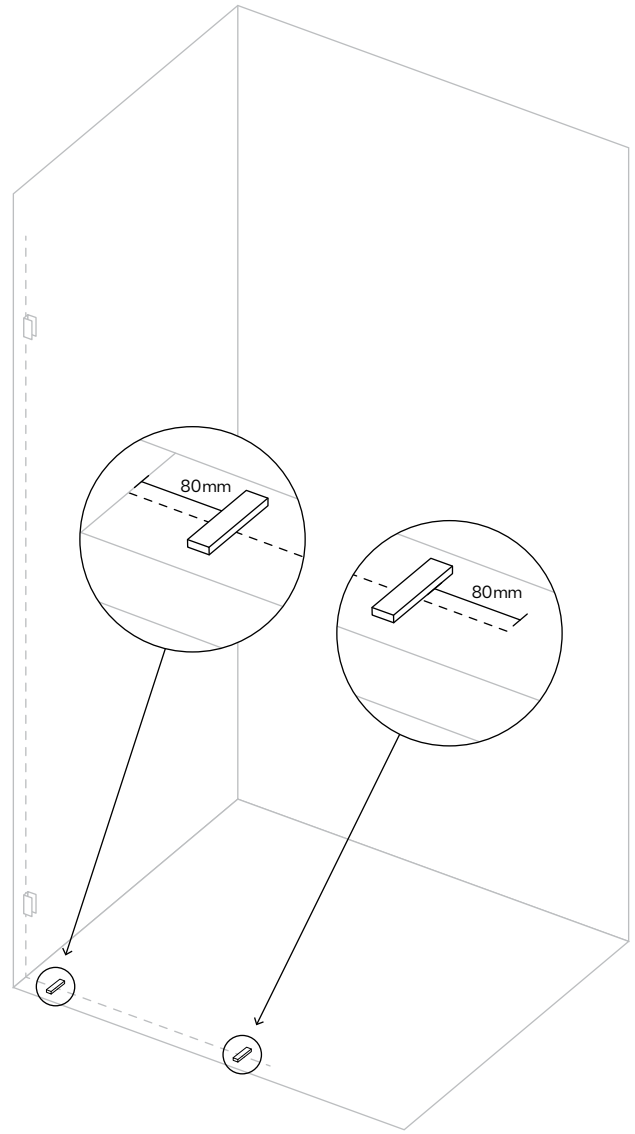
07

**Install and level Fixed Panel into the Clips.**

Carefully place the Fixed Panel into Wall Clips, Bottom Clip and on to Rubber Block. Make sure the Fixed Panel is set all the way into the Wall Clips. Use a level to make sure the Fixed Panel is level. Tighten Clip screws.

Please continue to step 10 to complete installation.

**Tip:** Use additional Rubber Blocks on either existing blocks to raise/drop the Fixed Panel if required.



08

**Measure and place Rubber Blocks.**

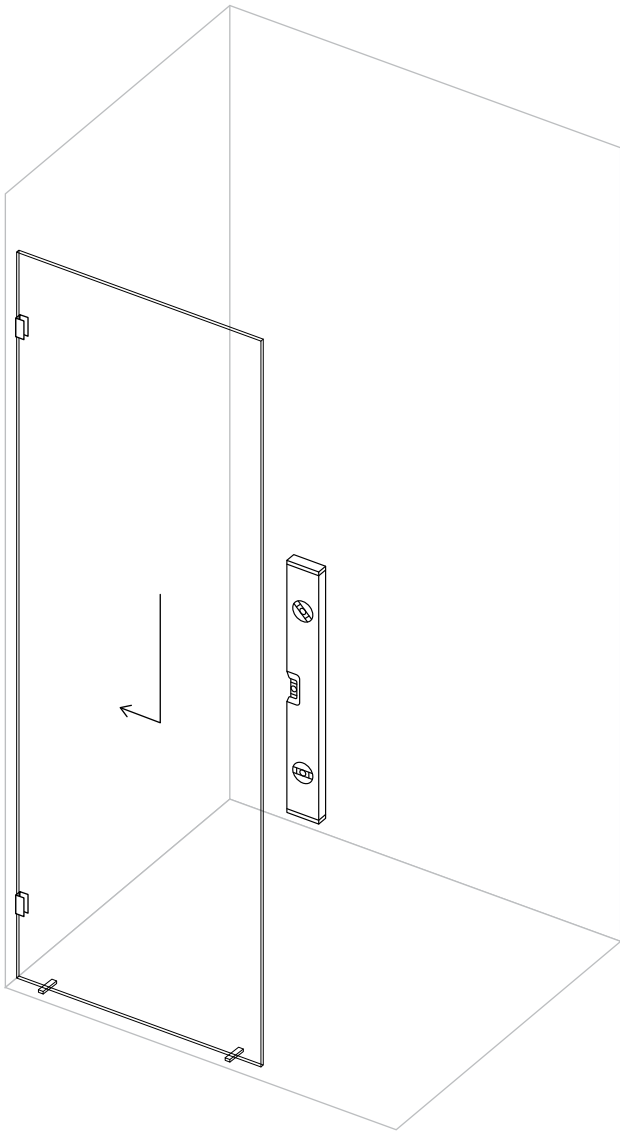
If you are not drilling into the shower base and prefer the Rubber Blocks option instead of using the Bottom Clip, continue here.

Measure 80mm from wall and place the first 3mm thick Rubber Block. Take the Fixed Panel width and subtract 80mm and measure from the wall and place the second 3mm thick Rubber Block. The Fixed Panel will rest on the Rubber Blocks.

**Important:** There is stamp on the corner of all Glass Warehouse glass panels to certify it is tempered safety glass. We recommend that panels be installed with the stamp at the bottom corner closest to the wall where it is less noticeable. On Door Panels, the stamp must be at the bottom of your enclosure to align properly. Note: the stamp is baked on during the tempering process and cannot be removed.



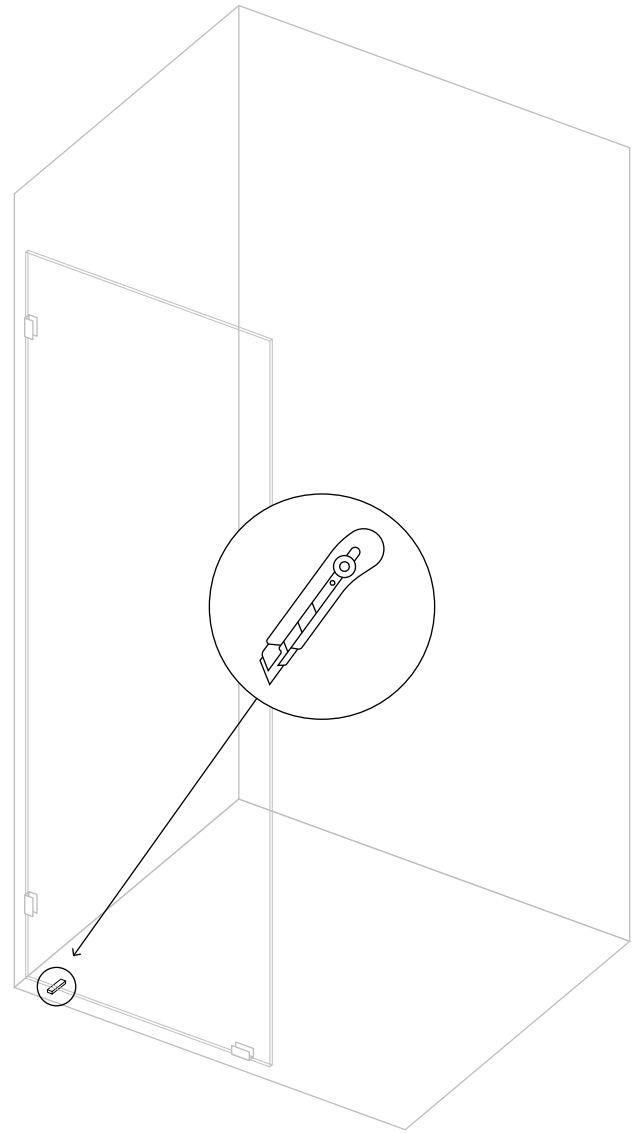




09

**Install and level Fixed Panel into Wall Clips and onto Rubber Blocks.**

Carefully place Fixed Panel into Wall Clips and on to Rubber Blocks. Make sure the Fixed Panel is set all the way into the Wall Clips. Use a level to make sure the Fixed Panel is level. Tighten Clip screws.



10

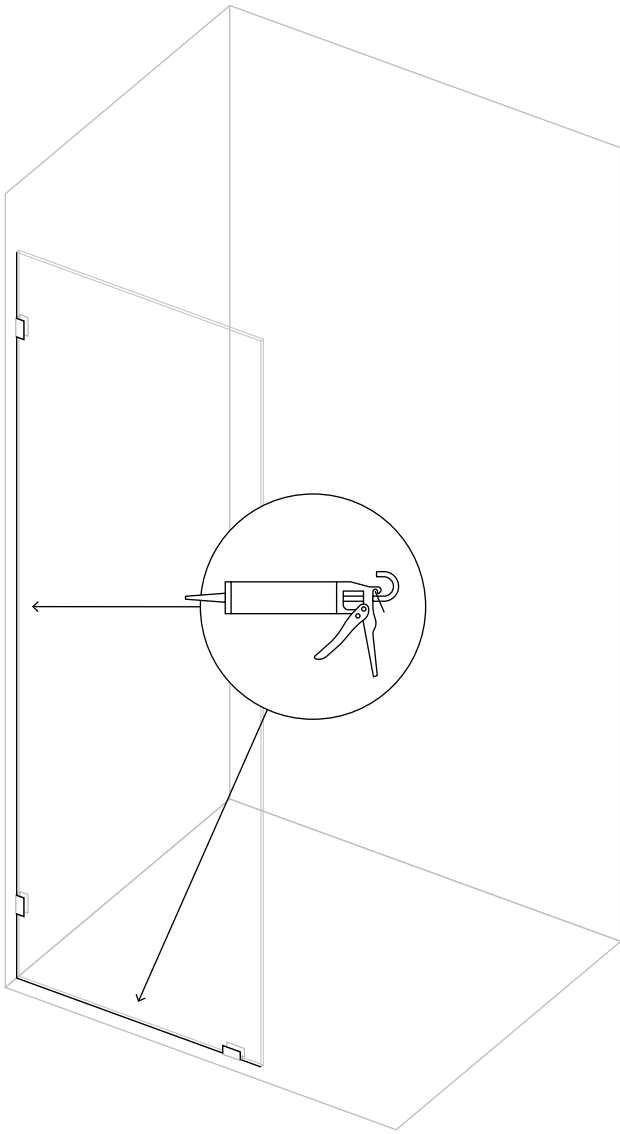
**Trim Rubber Blocks.**

Trim the Rubber Block with a utility knife so that it is flush with the Glass Panel resting on top. The Rubber Blocks remain under the Glass Panel. Do not remove them.

If you used 2 Rubber Blocks on your fiberglass shower base instead of the Bottom Clip, trim excess off of both blocks on both sides of glass panel.

**Tip:** Use additional rubber blocks on either existing blocks to raise/drop the fixed panel if required.





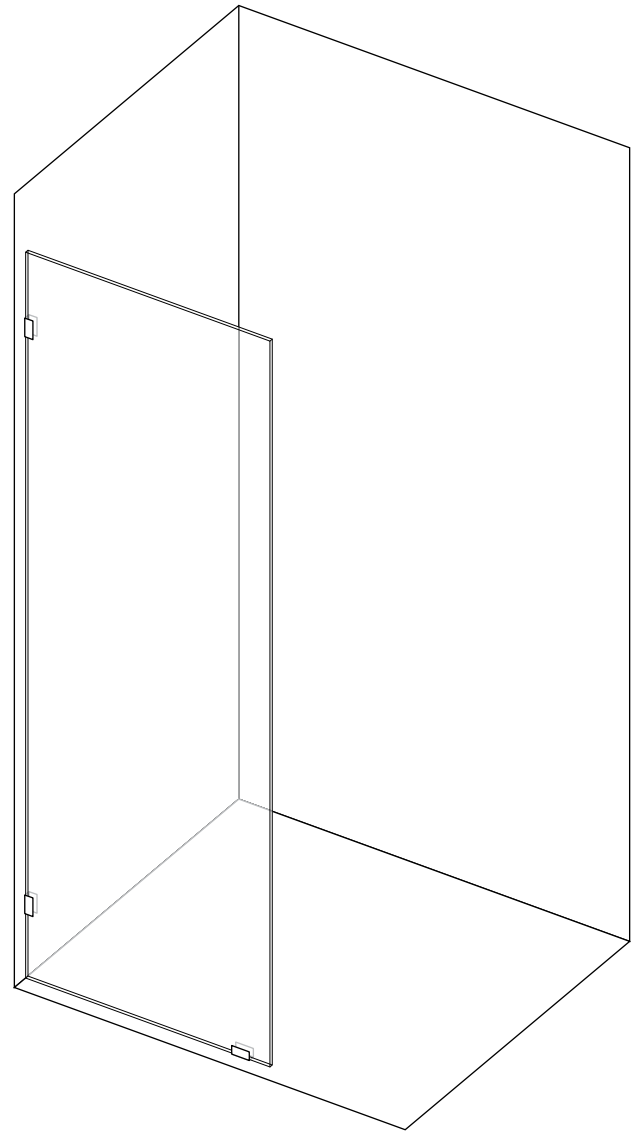
11

---

**Apply silicone to seal Fixed Panel.**

Apply silicone around the wall and threshold surface of the Fixed Panel. You need to silicone both the inside and outside edges ensuring the gap between glass and tile is completely sealed.

Once sealed, spray the silicone with water and use a spatula (available in our Install Kit) to remove any silicone residue.



12

---

**Once silicone has cured, you're done.**

Please register your warranty using the instructions on the back cover of this document.

**Important:** It is critical that the silicone is given 24 hours to set and 48 hours to cure.



# Care & Maintenance



EnduroShield makes cleaning easier and less frequent; however it is recommended that you continue to clean the surfaces regularly.

## Maintaining the Treated Surface

For best results simply drying the glass with a squeegee or towel after each use will help keep the glass clean and reduce mineral spots forming. The glass needs to be cleaned every few weeks using a damp microfiber cloth and a mild detergent to break down soaps, oils, and conditioners on the glass. General glass cleaners are also suitable, however most of these are finishing agents rather than cleaners, and are an added expense that is not required.

## Hard Water Maintenance

In hard water areas, or areas where water drops dry and leave a noticeable dust mark, a build of minerals may occur on the protective treatment. While these may not be removed as easily with the mild detergent, mild acids will often remove the marks quickly. As needed white vinegar should be used to wipe down the glass. Keep in mind the vinegar may be diluted with water, however dilution reduces the effectiveness.

Spray vinegar onto the glass and allow to soak for several minutes. This should dissolve any mineral deposits that have built up on the glass surface. A damp microfiber cloth should then be used to wipe over the surface. For extreme hard water areas we recommended using undiluted vinegar every week or so as a cleaning option to reduce this build up on the surface, rather than allowing the build up to continue over a long period of time.

**Caution:** Prohibited Products \*Note these may damage the treatment and void any warranty

- Avoid the use of any abrasives or polishes including water spot removers, toothpaste, polishes, rough, or gritty substances
- Avoid the use of acids or alkalis that you would not want in contact with your skin for an extended period of time
- Avoid products such as Comet, Ajax, Jiff or Cerium Oxide which polish back the actual substrate
- Avoid the use of any harsh or chemical cleaners, with correct maintenance these are never required

## Approved Cleaning Products

The below products have been tested for compatibility with EnduroShield, however there are no specific products that must be used. We feel you should not be required to purchase extra products in order to keep your glass clean. With correct maintenance, all you need for clean glass beyond 10 years is a squeegee, a mild liquid dish soap, and white vinegar.

Any product that does not fall into the prohibited categories listed above will be fine, and below is a short list of acceptable products:

- Windex
- SprayWay (or other alcohol based foaming cleaners)
- Scrubbing Bubbles (or other automatic leave-to-dry daily shower cleaners)
- 7th Generation, Dawn (or other mild eco friendly cleaners)
- CLR (Calcium Lime Rust)
- Mr. Clean Magic Eraser (when damp)

It should be noted that with any cleaner used on the EnduroShield surface a thorough rinse with clean water should follow immediately. Although these cleaners can be used, EnduroShield is designed to be an 'easy clean coating' that does not require harsh or toxic cleaning chemicals to maintain the surface effectively.

If for any reason the recommended maintenance has not been followed for some time, just as it took time for the build up to occur, it will take time to remove the debris from the protected glass surface. This can most commonly be achieved using undiluted white vinegar dampened on a Magic Eraser, or CLR on a Magic Eraser. Depending on the severity of the build up this may take multiple attempts, but once the glass is clean again it will perform like new. Should you have any queries regarding the cleaning of your treated surfaces please contact EnduroShield.

# FUTUREGLASS

Thank you  
for your purchase.

If for any reason you are having trouble with installation, or if the size of the product does not fit your designated space, please contact Future Glass directly and do not return this product to place of purchase.

Future Glass takes pride in providing quality products and customer service. We want to ensure your happiness with your purchase for years to come. We have an extensive range of sizes, so no matter what your measurements are, Future Glass can supply the product to fit!

If you have any questions, please do not hesitate to reach out to us. Thank you again for choosing Future Glass!

Best Regards,

The Team at Future Glass  
[www.futureglass.com.au](http://www.futureglass.com.au)  
[futureglass@aquilia.com.au](mailto:futureglass@aquilia.com.au)