



LDSBus Isolated IO Controller Datasheet



1 Introduction

The LDSBus Isolated IO Controller offers 2 isolated channels of digital and analog inputs and a variety of associated power source options to achieve 3.3V, 5V, 10V, 12V referenced signals besides sourcing power from external voltage sources. Each channel (input and output) is isolated from the others.

Each digital output can switch between 0V and 3.3V, 5V, 12V or referenced to an external voltage source. Each digital input can be between 0V and 1.8V to 12V. A 5V voltage source is provided for common applications that switch between 0-5V.

Each analog output can produce a voltage between 0-10V, and each analog input supports voltage or current controlled input sources ranging between 0-10V.

The controller may be used in numerous and diverse applications such as simple IO control, or 0-10V dimmers, weather station, water level detector or sensor, etc.

1.1 Features

- 2 isolated digital output channels
- 2 isolated digital input channels
- 2 isolated analog output channels
- 2 isolated analog input channels
- Built-in power supply (3.3V/ 5V/ 10V/ 12V) and external power supply option
- Flexible combination of internal or external power supply
- Supports BRTSys's LDSBus protocol
- Low power consumption
- Operating temperature range: 0°C to +55°C
- Flush mount and DIN Rail mounting options
- Supported platforms: LDSBus Host, BRTSys's IoTPortal, and PanL Smart Living products. Visit <https://brtsys.com/resources> for more information



Neither the whole nor any part of the information contained in, or the product described in this manual, may be adapted, or Reproduced in any material or electronic form without the prior written consent of the copyright holder. This product and its documentation are supplied on an as-is basis and no warranty as to their suitability for any particular purpose is either made or implied. BRT Systems Pte Ltd will not accept any claim for damages howsoever arising as a result of use or failure of this product. Your statutory rights are not affected. This product or any variant of it is not intended for use in any medical appliance, device, or System in which the failure of the product might reasonably be expected to result in personal injury. This document provides preliminary information that may be subject to change without notice. No freedom to use patents or other intellectual property rights is implied by the publication of this document. BRT Systems Pte Ltd, 178 Paya Lebar Road, #07-03, Singapore 409030. Singapore Registered Company Number: 202220043R.

2 Part Numbers

Part#	Naming
LC060101A	LDSBus Isolated IO Controller
LA120101A	LDSBus DIN Rail Mount Set

Table of Contents

1	Introduction	1
1.1	Features	1
2	Part Numbers	2
3	Product Specifications	4
4	Hardware Features	5
5	Isolated IO Controller Configuration and Installation	6
6	Mounting Options	7
6.1	Flush Mount.....	7
6.2	DIN Rail Mount.....	7
7	Terminal Wiring Instructions.....	8
7.1	Isolated IO Digital INPUT Setup.....	9
7.2	Isolated IO Digital OUTPUT Setup	10
7.3	Isolated Analog INPUT Setup	11
7.4	Isolated Analog OUTPUT Setup	12
8	System Status LED Indicators.....	13
9	Mechanical Dimension	14
10	Contact Information	15
Appendix A – References	16	
Document References	16	
Acronyms and Abbreviations.....	16	
Appendix B – List of Figures and Tables.....	17	
List of Figures	17	
List of Tables.....	17	
Appendix C – Revision History	18	

3 Product Specifications

Features	Interface	RS485
	System Status Indicator	1x RGB LED
	Mounting	Flush Mount
		DIN-Rail Mount
Power	Input Voltage	5V DC Bus Power
	Power (Typ)	1.15W
	Power (Max)	1.20W
	Output Power*	3.3V/30mW
		5V/50mW
10V/400mW		
12V/240mW		
Analog Input	Number of Channels	2
	Analog Input range	0V - 10V
	Analog Input resolution	10mV
	Analog Input Accuracy	Typical: +/- 3%; For 0V - 1V, Accuracy: +/- 10mV (typical)
Analog Output	Number of Channels	2
	Analog Output range	0V - 10V
	Analog Output resolution	10mV
	Analog Output Accuracy	Typical: +/- 3%; For 0V - 1V, Accuracy: +/- 10mV (typical)
Digital IO Input	Number of Channels	2
	Digital Input Voltage	1.8VDC - 12VDC (refer to external power voltage)
Digital IO Output	Number of Channels	2
	Digital Output Voltage	1.8VDC - 12VDC (refer to external power voltage)
Physical Characteristics	Color	White
	Housing	Polycarbonate
	Dimension	L138.2mm x W76.0mm x H31.9mm
Environmental Limits	Operating Temperature	0 to 55°C
	Storage Temperature	-20 to 85°C
	Ambient Relative Humidity	5 to 95% (non-condensing)
Package Contents	Device	1x LDSBus Isolated IO Controller
	Installation (Optional)	1x DIN Rail Bracket set
	Wire Assembly	1X 5m RJ11 Cable
	Warranty label	1

* Output power current output up to 60mA.

Table 1 - LDSBus Isolated IO Controller Specifications

4 Hardware Features

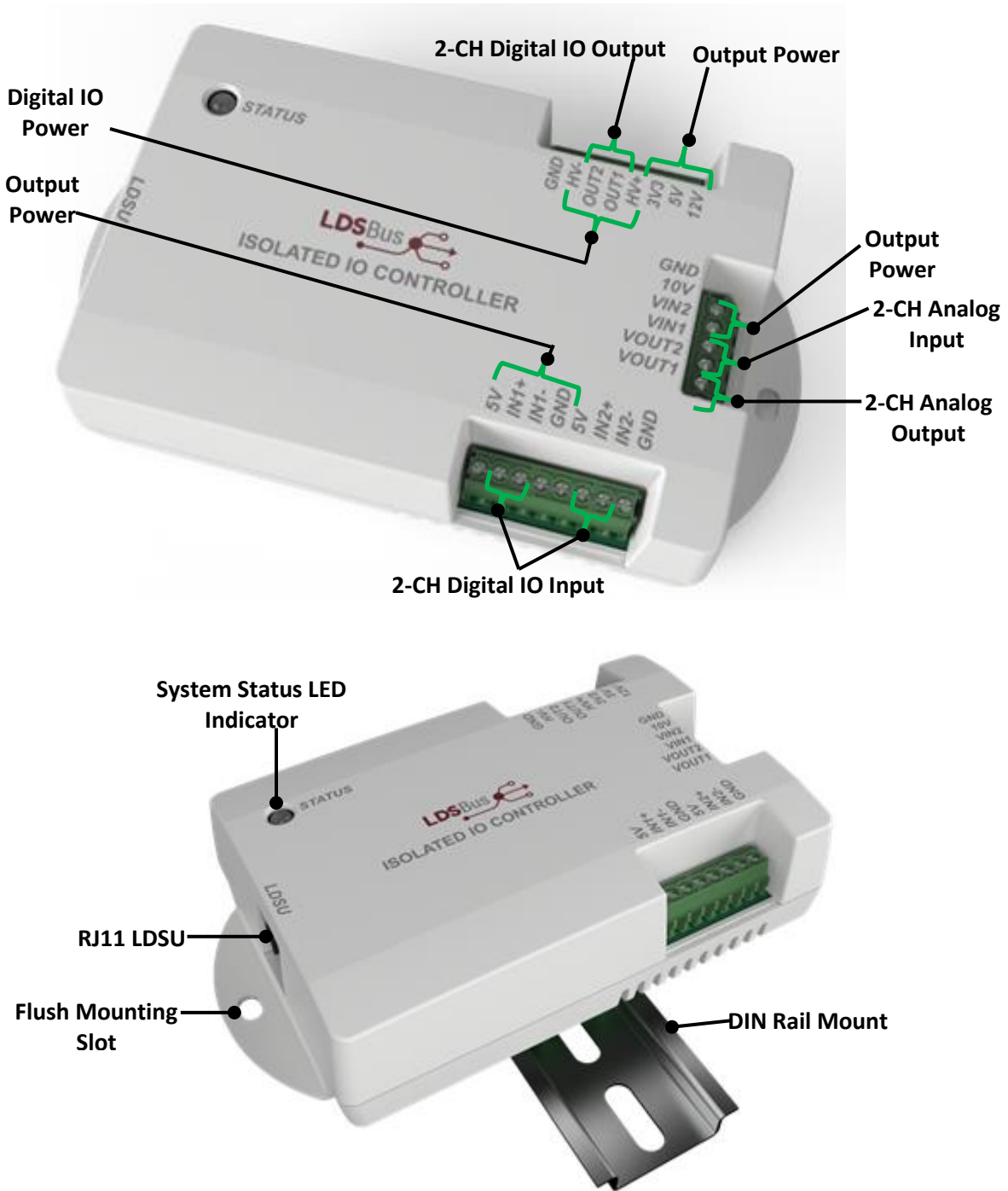


Figure 1 - LDSBus Isolated IO Controller

5 Isolated IO Controller Configuration and Installation

Please visit <https://brtsys.com/resources> to access the LDSBus Configuration Utility guide on how to configure the device name, device address and termination settings before using it in your application.

5.1 Connection Diagram

Figure 2 illustrates the connection of the LDSBus Isolated IO Controller (LDSBus Device) to the LDSBus. Please visit <https://brtsys.com/resources> to view the full device application, setup and installation guides.

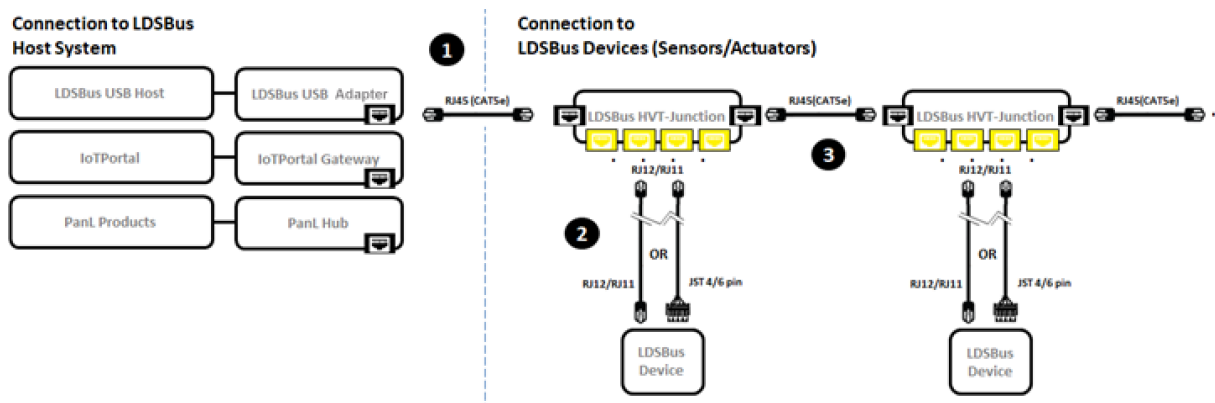


Figure 2 - LDSBus Isolated IO controller - Connection Diagram

Setup Instructions:

1. Connect the first LDSBus HVT-Junction to any of the LDSBus Host Systems using a RJ45(CAT5e) cable.
2. Connect the configured LDSBus Isolated IO controller to the LDSBus HVT-Junction as shown in Figure 2.
3. If there is more than one LDSBus HVT-Junction, chain them together as shown in Figure 2.
4. Enable terminator on the last device in LDSBus.

6 Mounting Options

6.1 Flush Mount

The LDSBus Isolated IO Controller can be flush mounted directly on a wall or any flat surface using 2 M3.5*16mm (thread) screws.



Figure 3 - LDSBus Isolated IO Controller Flush Mount

6.2 DIN Rail Mount

The LDSBus Isolated IO Controller can be mounted on a DIN Rail using the LDSBus DIN Rail Mount set. This set is optional and includes the bracket and mounting screws.



Figure 4 - LDSBus Isolated IO Controller DIN Rail Mount

7 Terminal Wiring Instructions

Terminal blocks are connected with screws. To clamp the wire to the terminal block, insert a 0.4mm x 2.5mm slotted screwdriver and rotate in a clockwise direction. To release the wire, turn the handle in an anticlockwise direction.



Figure 5 - Clamping wire with screwdriver in clockwise direction

Table 2 provides a list of American Wire Gauges (AWGs) that can be used in Terminal Blocks.

Conductor Type	Wire diameter/AWG
Solid conductor	0.2~1.5mm ² /26~16 AWG
Stranded conductor	0.2~1.5mm ² /26~16 AWG
Stranded conductor; with insulated ferrule	0.25~0.75mm ²

Table 2 - AWG to use in terminal block

As shown in Figure 6, the wire strip is 3mm to 5mm long.

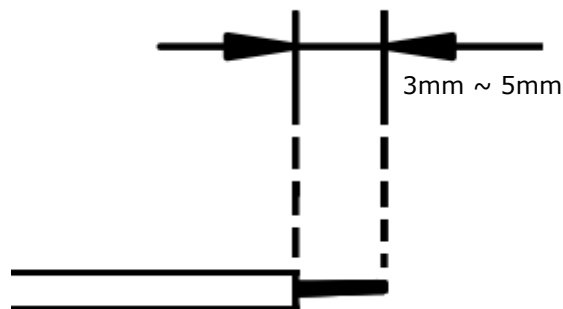


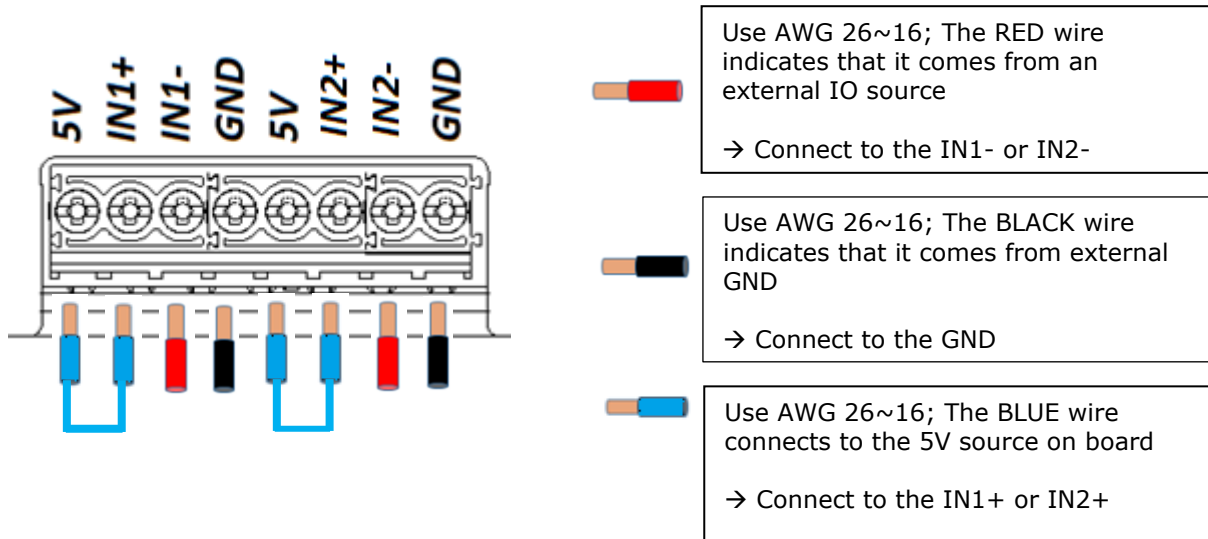
Figure 6 - 3mm to 5mm wire strip

7.1 Isolated IO Digital INPUT Setup

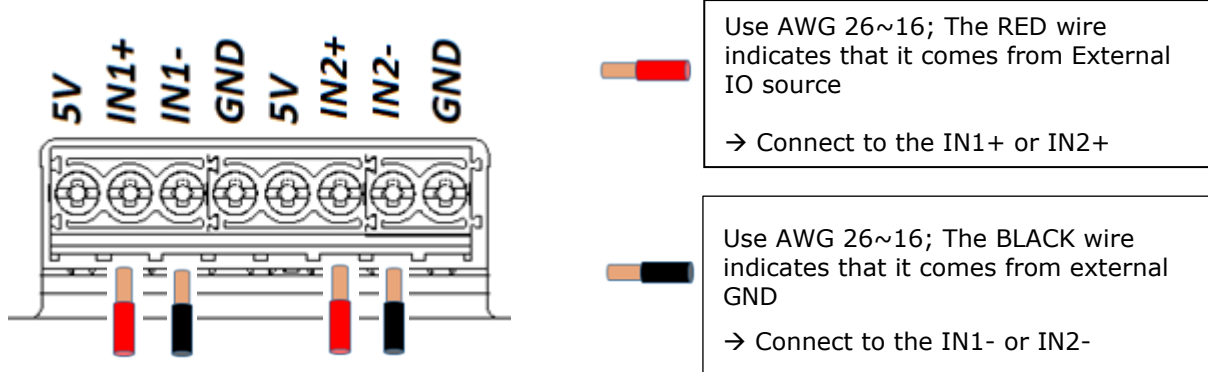
The 2CH isolated digital input supports external digital signals ranging from 1.8 to 12V. The two options for connecting are as follows:

Note: As each channel is independent, Channel 1 and Channel 2 can use different configurations.

IO Digital Input with 5V Application



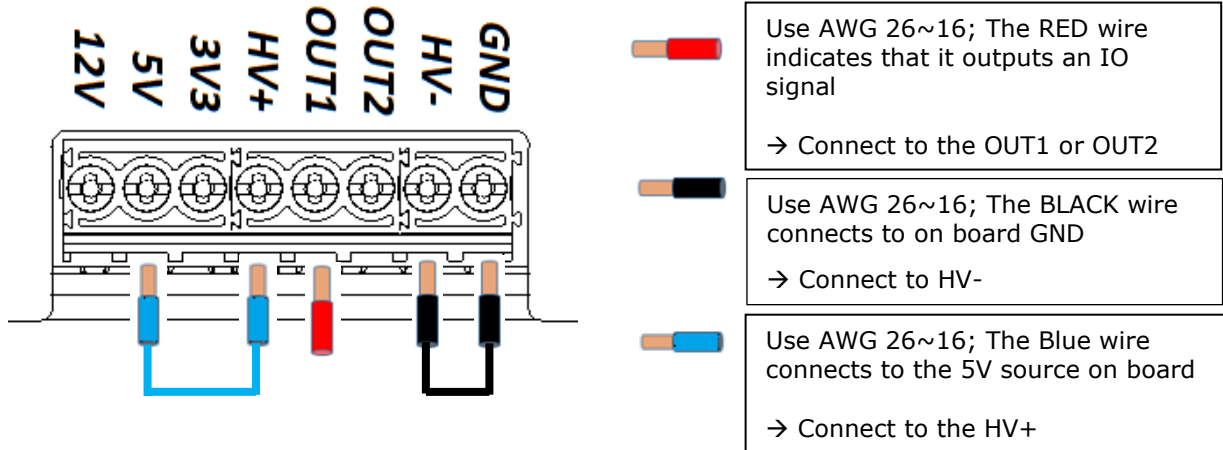
IO Digital Input with External Pull-up



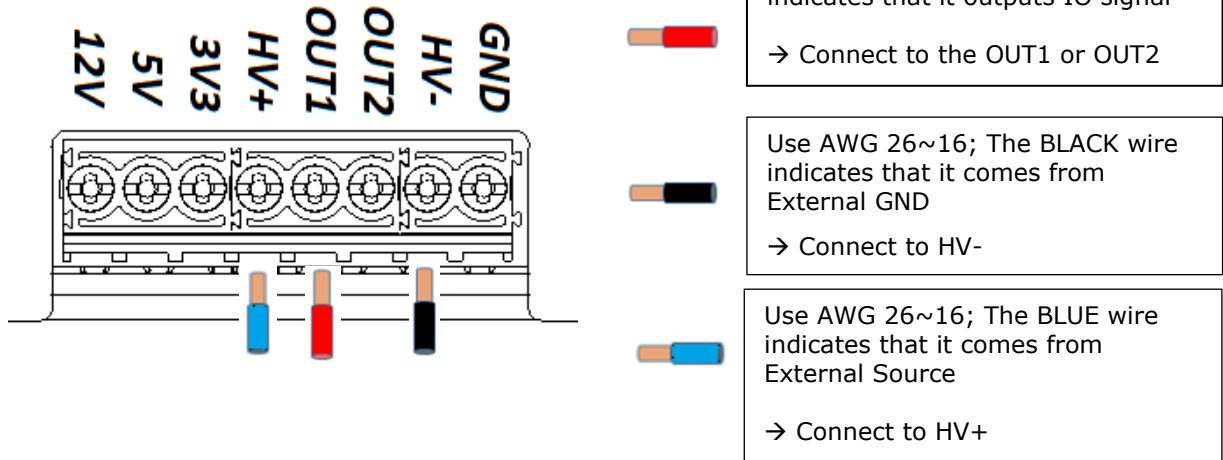
7.2 Isolated IO Digital OUTPUT Setup

The 2CH isolated digital output supports external digital signals ranging from 1.8 to 12V. The two options for connecting are as follows:

Digital Output with 5V Application



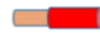
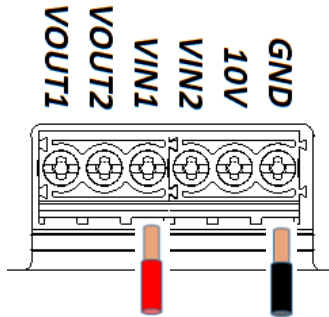
Digital Output with External Source



7.3 Isolated Analog INPUT Setup

The 2CH isolated analog input supports external analog signals ranging from 0 to 10V. The two options for connecting are as follows:

Analog Input with External Voltage Source

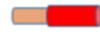
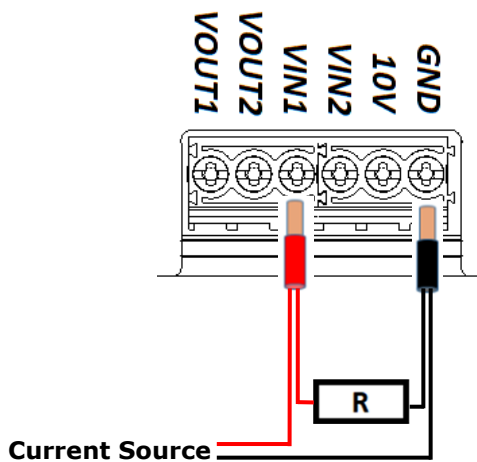


Use AWG 26~16; The RED wire indicates that it comes from external voltage source
→ Connect to VIN1 or VIN2



Use AWG 26~16; The BLACK wire indicates that it comes from external GND
→ Connect to GND

Analog Input with External Current Source



Use AWG 26~16; The RED wire indicates that it comes from external current source
→ Connect to VIN1 or VIN2



Use AWG 26~16; The BLACK wire indicates that it comes from external GND
→ Connect to GND



Serial Resistor value depends on current source

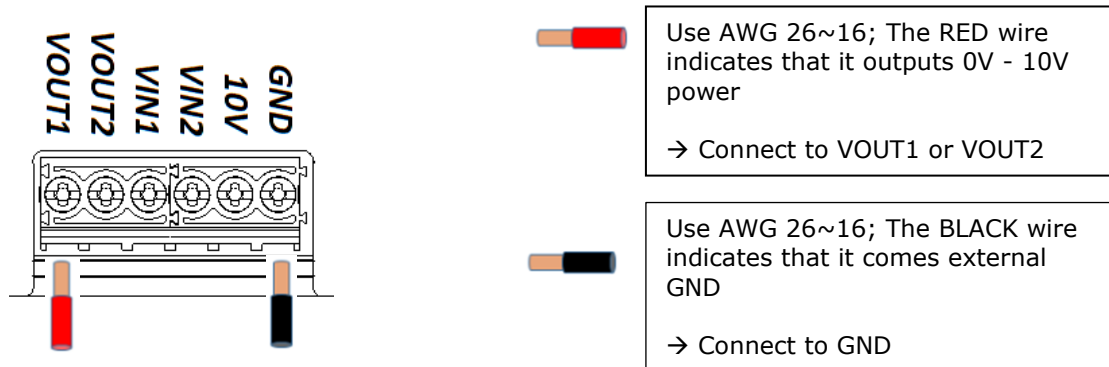
→ Connect in between VIN1/VIN2 and GND

For example: Application current source 4mA to 20mA, recommend using 450ohm resistor

7.4 Isolated Analog OUTPUT Setup

The 2CH isolated analog output supports external analog signals ranging from 0 to 10V. The two options for connecting are as follows:

Analog Voltage Output



8 System Status LED Indicators

LDSU devices come with a tri-color LED, and LED status are mentioned in the table below.

Status display colors

- | | | |
|-----------|---|--|
| 1. RED | - | Device in error conditions |
| 2. YELLOW | - | Unconfigured device |
| 3. GREEN | - | Device in normal state (Device termination is OFF) |
| 4. BLUE | - | Device in normal state (Device termination is ON) |










Device Status	LED Color	Flashing Frequency	Description
Unconfigured device	YELLOW 	LED flashing @1Hz	Unconfigured device with factory default address (126)
Configured device	GREEN 	Steady – Non-flashing	Configured device (Device ID 1-125) and device is idle
	BLUE 		
Addressed device	GREEN 	LED flashing @5Hz	Device is busy communicating
	BLUE 		
Identified device	GREEN 	LED flashing @1Hz	Device in identify state
	BLUE 		
Device error	RED 	Steady – Non-flashing	Device error has occurred
Firmware update	YELLOW 	Steady – Non-flashing	Device firmware update

Table 3 - LDSBus Isolated IO Controller – System Status LED Indicator

9 Mechanical Dimension

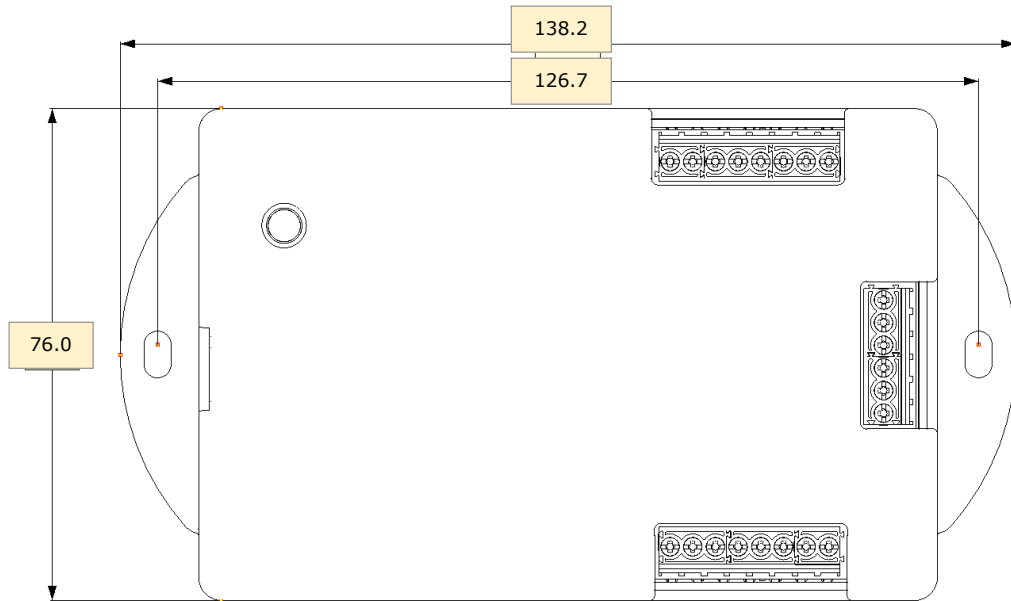


Figure 7 - LDSBus Isolated IO Controller Dimension – Top View

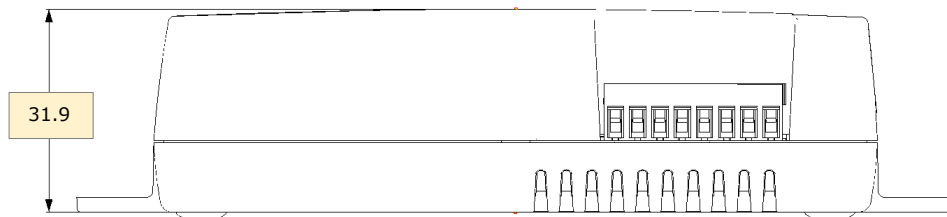


Figure 8 - LDSBus Isolated IO Controller Dimension – Side View

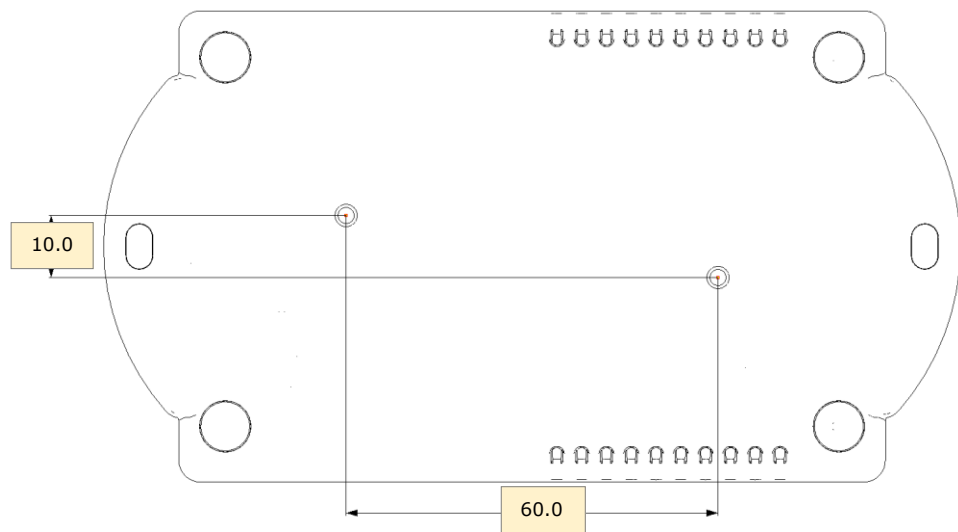


Figure 9 - LDSBus Isolated IO Controller Dimension – Bottom View

10 Contact Information

Head Quarters – Singapore

BRT Systems Pte Ltd
178 Paya Lebar Road, #07-03
Singapore 409030
Tel: +65 6547 4827
Fax: +65 6841 6071

E-mail (Sales) sales@brtsys.com
E-mail (Support) support@brtsys.com

Web Site

<http://brtsys.com/>

Distributor and Sales Representatives

Please visit the Sales Network page of the [BRT Systems Web site](#) for the contact details of our distributor(s) and sales representative(s) in your country.

System and equipment manufacturers and designers are responsible to ensure that their systems, and any BRT Systems Pte Ltd (BRTSys) devices incorporated in their systems, meet all applicable safety, regulatory and system-level performance requirements. All application-related information in this document (including application descriptions, suggested BRTSys devices and other materials) is provided for reference only. While BRTSys has taken care to assure it is accurate, this information is subject to customer confirmation, and BRTSys disclaims all liability for system designs and for any applications assistance provided by BRTSys. Use of BRTSys devices in life support and/or safety applications is entirely at the user's risk, and the user agrees to defend, indemnify, and hold harmless BRTSys from any and all damages, claims, suits, or expense resulting from such use. This document is subject to change without notice. No freedom to use patents or other intellectual property rights is implied by the publication of this document. Neither the whole nor any part of the information contained in, or the product described in this document, may be adapted, or reproduced in any material or electronic form without the prior written consent of the copyright holder. BRT Systems Pte Ltd, 178 Paya Lebar Road, #07-03, Singapore 409030. Singapore Registered Company Number: 202220043R.

Appendix A – References

Document References

[BRTSYS AN 001 LDSBus Configuration Utility Guide](#)

Acronyms and Abbreviations

Terms	Description
AC	Alternating Current
AWG	American Wire Gauges
DC	Direct Current
IoT	Internet of Things
LED	Light Emitting Diode
LDSBus	Long Distance Sensor Bus

Appendix B – List of Figures and Tables

List of Figures

Figure 1 - LDSBus Isolated IO Controller.....	5
Figure 2 - LDSBus Isolated IO controller - Connection Diagram.....	6
Figure 3 - LDSBus Isolated IO Controller Flush Mount.....	7
Figure 4 - LDSBus Isolated IO Controller DIN Rail Mount.....	7
Figure 5 - Clamping wire with screwdriver in clockwise direction	8
Figure 6 - 3mm to 5mm wire strip.....	8
Figure 7 - LDSBus Isolated IO Controller Dimension – Top View.....	14
Figure 8 - LDSBus Isolated IO Controller Dimension – Side View.....	14
Figure 9 - LDSBus Isolated IO Controller Dimension – Bottom View.....	14

List of Tables

Table 1 - LDSBus Isolated IO Controller Specifications.....	4
Table 2 - AWG to use in terminal block.....	8
Table 3 - LDSBus Isolated IO Controller – System Status LED Indicator.....	13

Appendix C – Revision History

Document Title: LDSBus Isolated IO Controller Datasheet

Document Reference No.: BRTSYS_000009

Clearance No.: BRTSYS#005

Product Page: <https://brtsys.com/ldsbus/>

Document Feedback: [Send Feedback](#)

Revision	Changes	Date
Version 1.0	Initial Release	15-02-2022
Version 1.1	Updated release under BRT Systems	15-09-2022
Version 1.2	Updated the specifications table (RJ12 -> RJ11)	24-03-2023