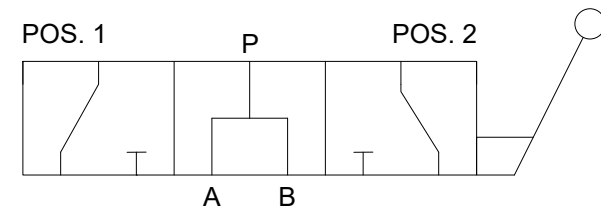
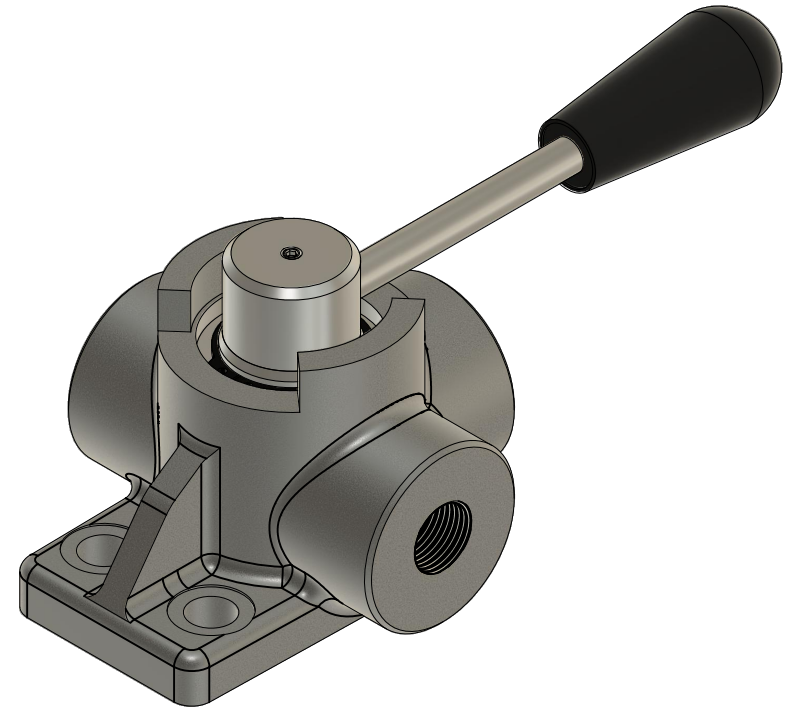
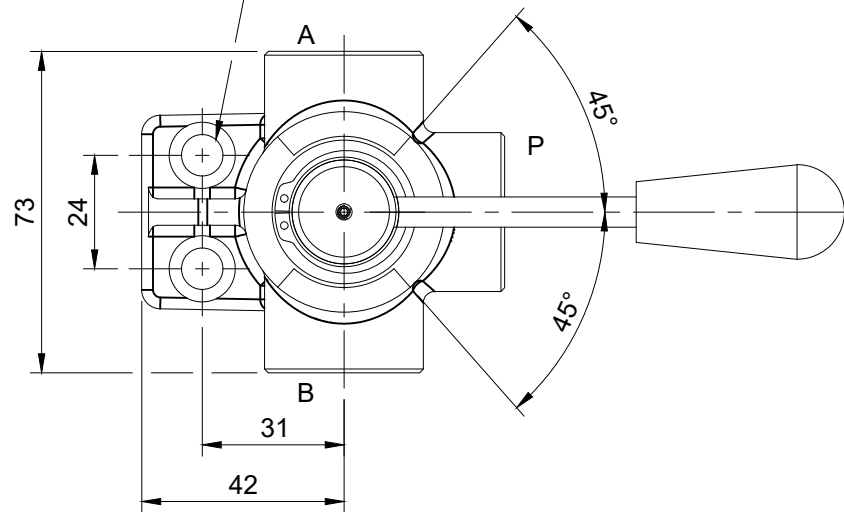


All Ports 3/8" BSPT

Ø8.5 x 2 Mount Holes



ALL DIMENSIONS IN MM

Manual Diverter 3 Way

Maximum Flow	60 L/min	Working Pressure	315 Bar
--------------	----------	------------------	---------

VAL-D3V38-06



24/04/2023