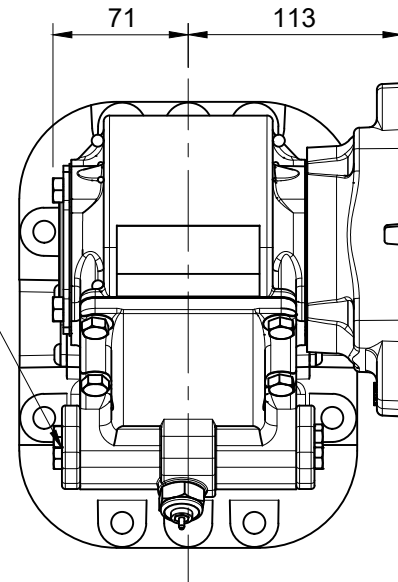


1/8" G Air Inlet



SAE "B" 2 & 4 Bolt Pump Mount
SAE "B" 13 Tooth Spline

← Travel Direction

TG8S-U6807-E1KX



Gearbox	PTO Code	PTO Ratio @ 1000 eng. rpm rpm	MAX TORQUE Nm	Mounting Position	Output	Rotation	Mounting Kit
RTLO18918B	TG8SU6807E1KX	1120	310	Lower	Rear	Cw	Included