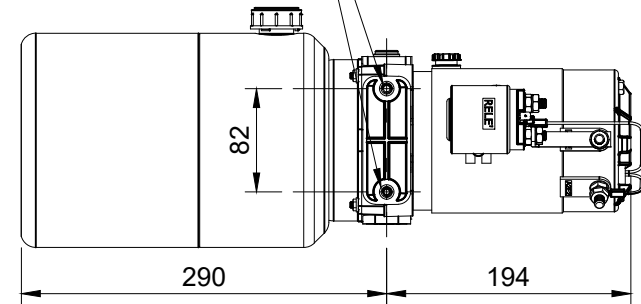


M10 x 1.5 x 2 Mount Holes



ALL DIMENSIONS IN MM

Single Acting 24V - 2.2KW - 5 Litre Tank

PWP-24VDC-05L

Max. Operating Pressure 200 Bar

Max. Flow 6 L/min @ 200 Bar



9/06/2023