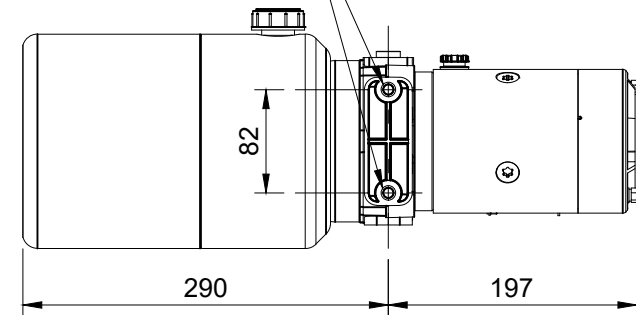


M10 x 1.5 x 2 Mount Holes



ALL DIMENSIONS IN MM

Double Acting 12V - 1.6 KW - 5 Litre Tank

PWP-12VDC-05L-DA

Max. Operating Pressure 150 Bar

Max. Flow 7 L/min @ 150 Bar



8/06/2023