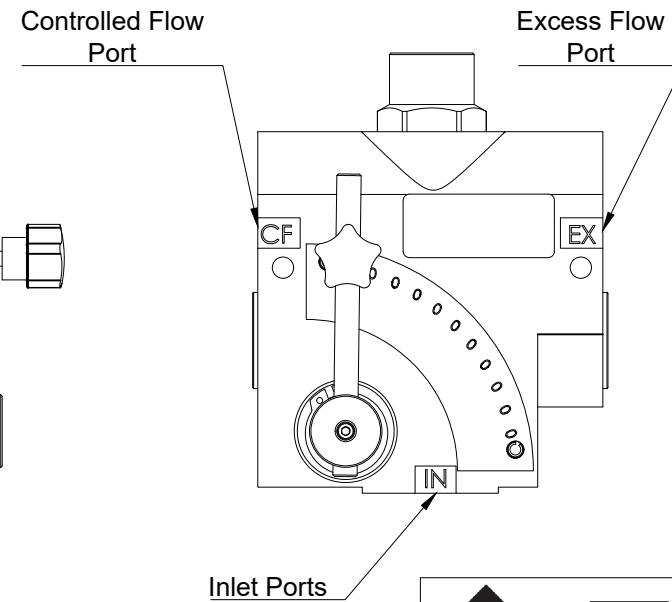
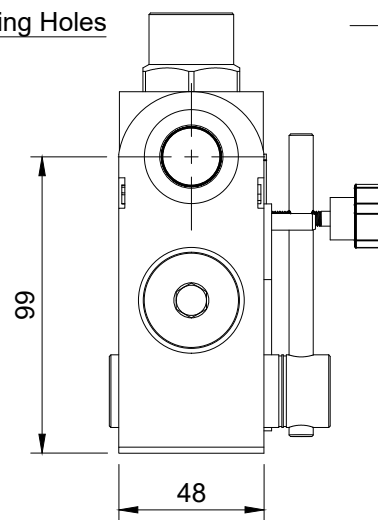
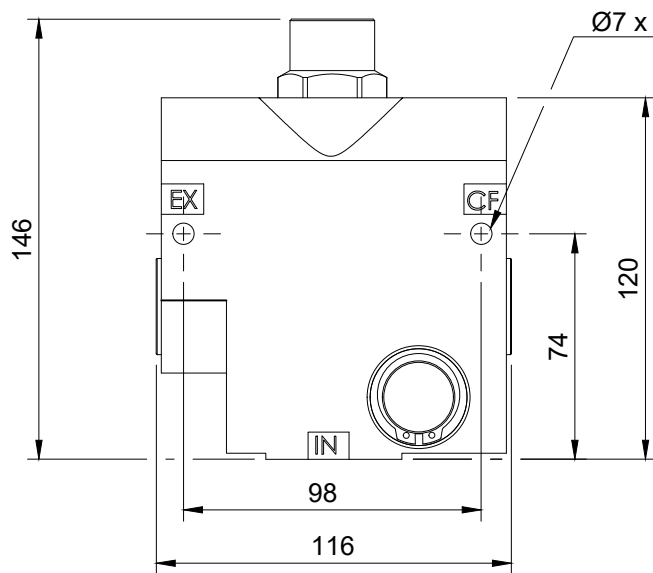


**Note:**  
Using the adjustment; low numbers reduce flow to the CF port, high numbers increase flow to the CF port.



ALL DIMENSIONS IN MM

Priority Flow Control c/w relief 1/2" BSPP Ports			
Maximum Flow	60 L/min	Working Pressure	3000 PSI

OP51FCR-08



19/04/2023