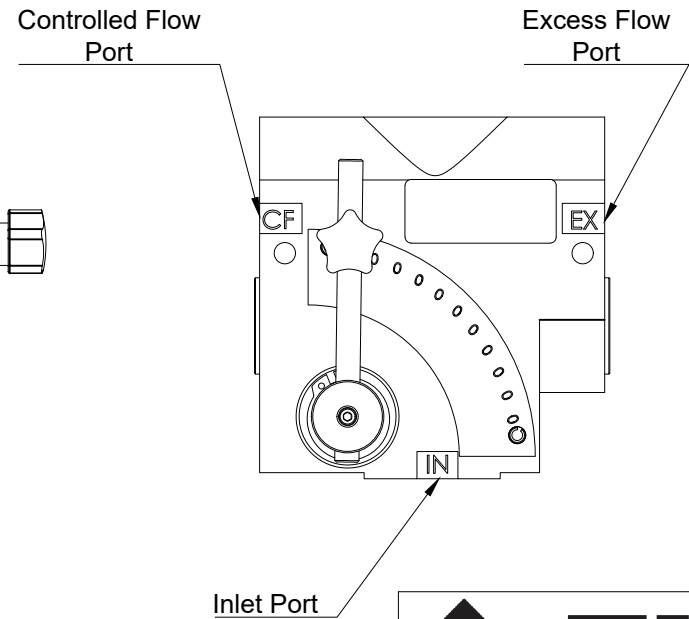
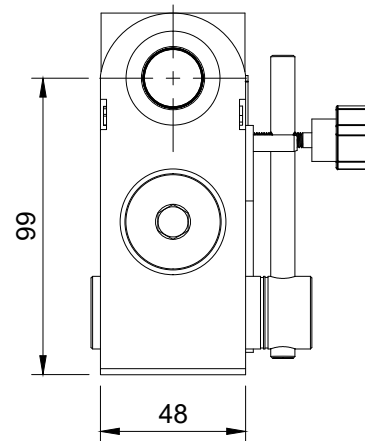
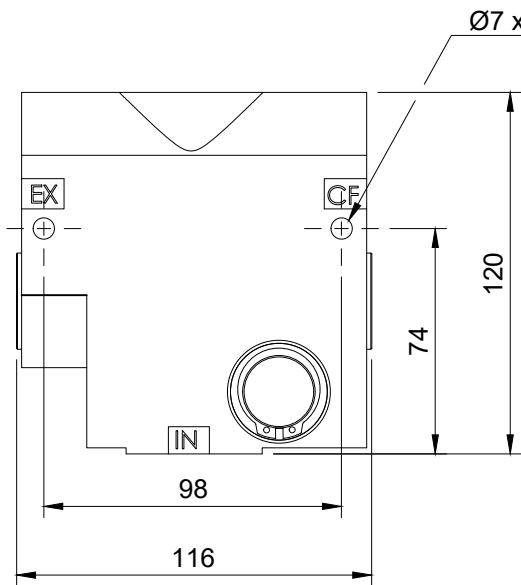


**Note:**  
Using the adjustment; low numbers reduce flow to the CF port, high numbers increase flow to the CF port.



ALL DIMENSIONS IN MM

|                                       |          |                  |          |
|---------------------------------------|----------|------------------|----------|
| Priority Flow Control 1/2" BSPP Ports |          |                  |          |
| Maximum Flow                          | 60 L/min | Working Pressure | 3000 PSI |

OP51FC-08



19/04/2023