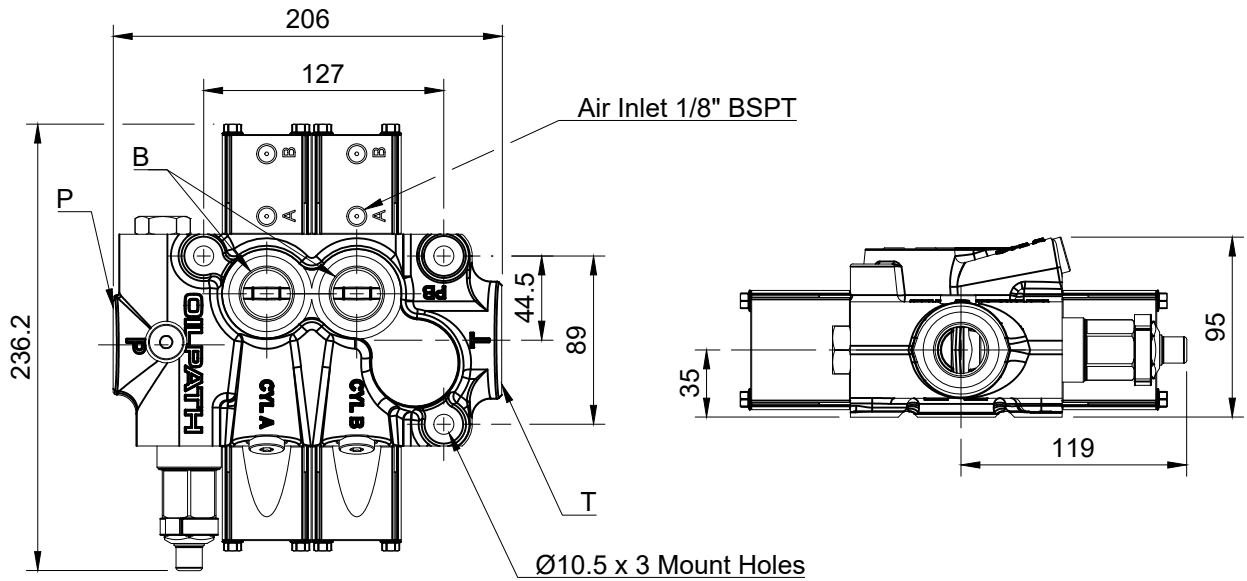


Valve Operation

Single acting spool working in an 'open centre' circuit, controlled by a 3 position pneumatic actuator with centering springs on the spool.

- HOLD - no air to 'A' and 'B' ports
- UP - air to 'B' port, 'A' port to exhaust
- DOWN - air to 'A' port, 'B' port to exhaust



OP22-TT-00

16/05/2023

Max Relief Adjustment - 220 Bar

STD Relief Adjustment - 172 Bar

Maximum Flow Rate 160 L/min

Spool Configuration				Port Size UNO		Options
Spool Type		T	Single Acting		P	1-1/16"
Control Configuration				B	1-1/16"	
L	Slow Lower, Port Relief Plugged	M	Port Relief, No Slow Lower		T	1-1/16"
N	Slow Lower & Port Relief	O	No Slow Lower, No Port Relief			