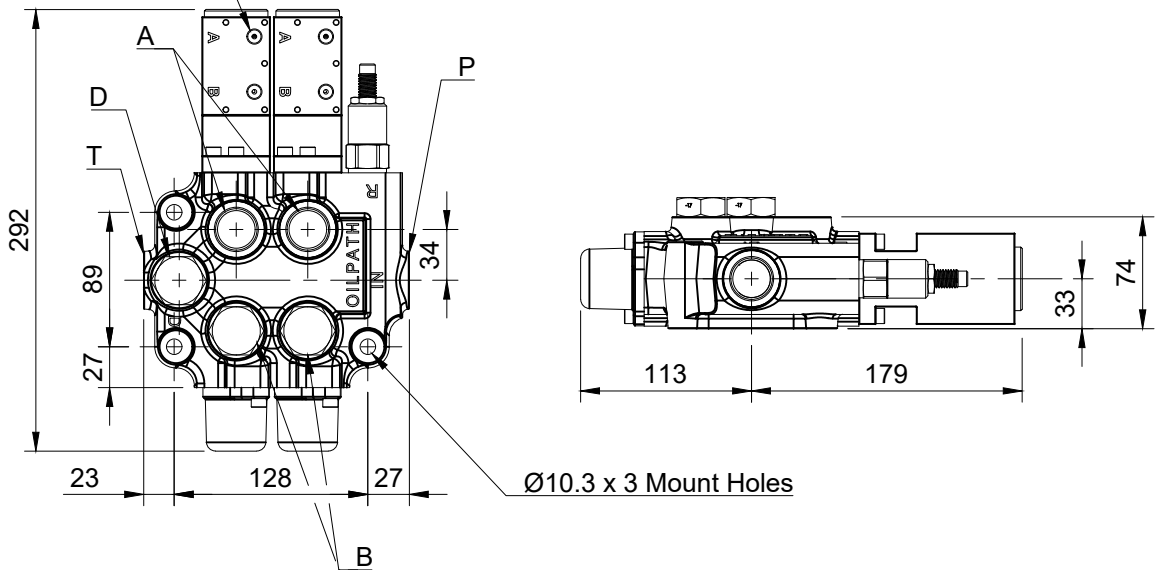


Valve Operation

Single acting spool working in an 'open centre' circuit, controlled by a 3 position pneumatic actuator with centering springs on the spool.

HOLD - no air to 'A' and 'B' ports
 UP - air to 'A' port, 'B' port to exhaust
 DOWN - air to 'B' port, 'A' port to exhaust

Air Inlet Port 1/8" BSPT



OP20-TT-OO

8/05/2023

| | | | | | | | |
|---------------------------------|---------------------|---------------------------------|---------------|-------------------------------|---------|---------|--------------------|
| Max Relief Adjustment - 228 Bar | | STD Relief Adjustment - 172 Bar | | Maximum Flow Rate 120 L/min | | | |
| Spool Configuration | | | | Port Size UNO | | Options | |
| Spool Type | | T | Single Acting | | P | 1-1/16" | HP Carry Over Plug |
| Control Configuration | | | | A | 1-1/16" | | |
| J | Air & Lever Control | | O | No Slow Lower, No Port Relief | | B | Plugged |
| | | | | | T | 1-1/16" | |
| | | | | | D | Plugged | |