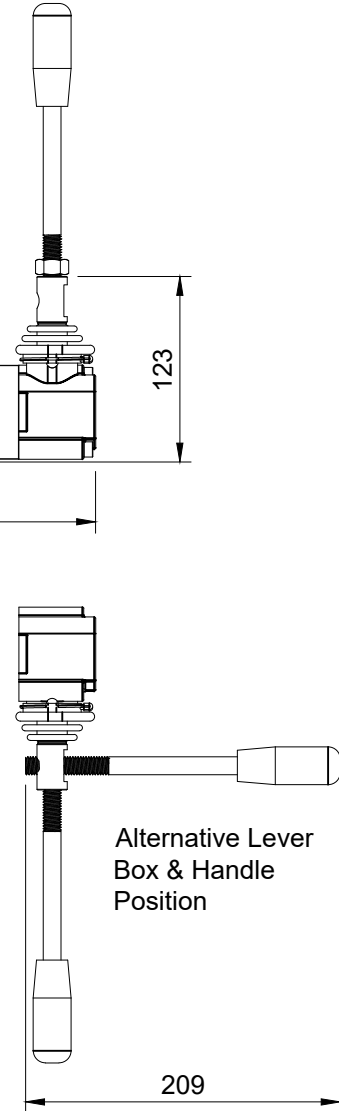
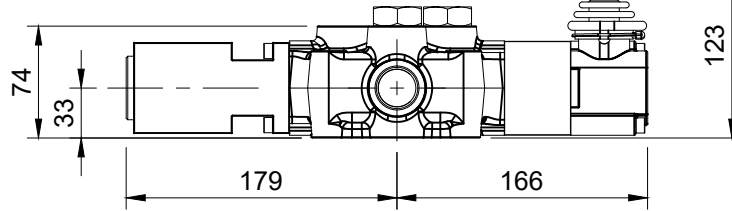
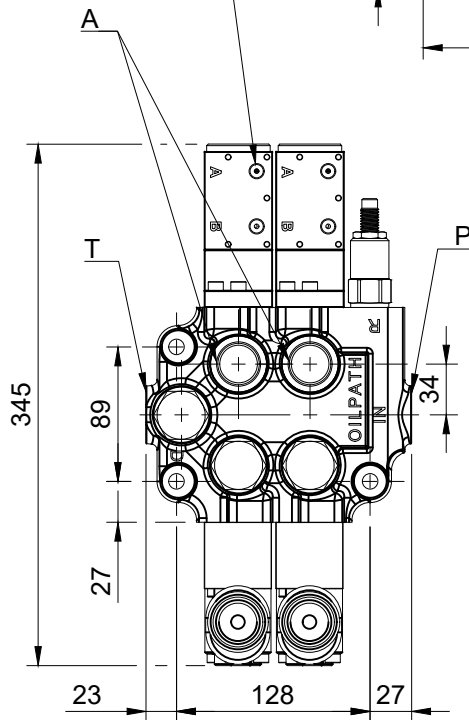


Air Inlet 1/8" BSPT



8/05/2023

OP20-TT-JJ

Max Relief Adjustment - 228 Bar

STD Relief Adjustment - 172 Bar

Maximum Flow Rate 120 L/min

Spool Configuration				Port Size UNO		Options	
Spool Type		T	Single Acting		P	1-1/16"	HP Carry Over Plug
Control Configuration				A	1-1/16"		
J	Air & Lever Control	O	No Slow Lower, No Port Relief		B	Plugged	
					T	1-1/16"	
					D	Plugged	