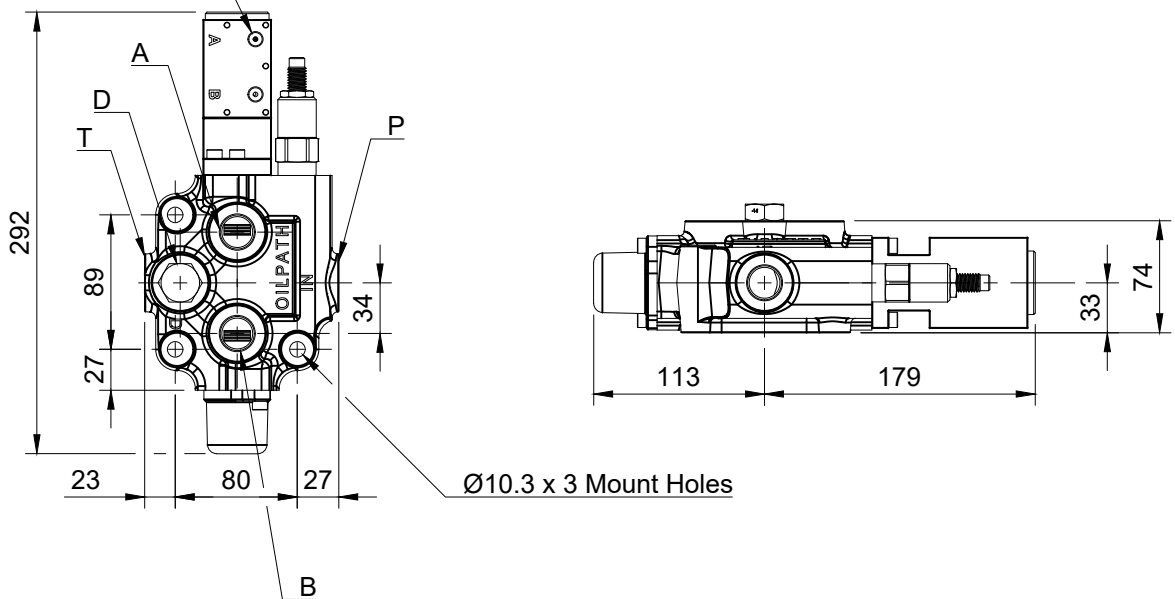


Valve Operation

Single acting spool working in an 'open centre' circuit, controlled by a 3 position pneumatic actuator with centering springs on the spool.

HOLD - no air to 'A' and 'B' ports
 UP - air to 'A' port, 'B' port to exhaust
 DOWN - air to 'B' port, 'A' port to exhaust

Air Inlet 1/8" BSPT



OP20-D-I

9/05/2023

Max Relief Adjustment - 228 Bar

STD Relief Adjustment - 138 Bar

Maximum Flow Rate 120 L/min

		Optional Control Configuration				Port Size UNO		Options
	Spool Types	A	Spring Return A & B	F	Spring Return A, Restrict B	P	7/8"	HP Carry Over Plug
D	Double Acting	B	Detent A, Spring Return B	G	Restrict A, Spring Return B	A	7/8"	
S	Single Acting	C	Detent A & B	H	Restrict A, Detent B	B	7/8"	Closed Centre Plug
M	Motor Spool	D	Spring Return A, Detent B	I	Air Actuator	T	1-1/16"	
		E	Detent A, Restrict B	J	Air & Lever Control	D	Plugged	No Relief