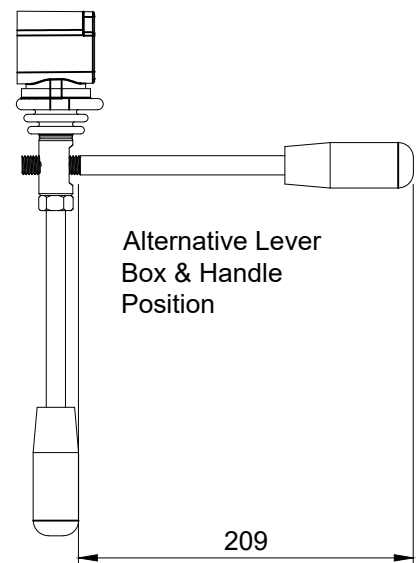
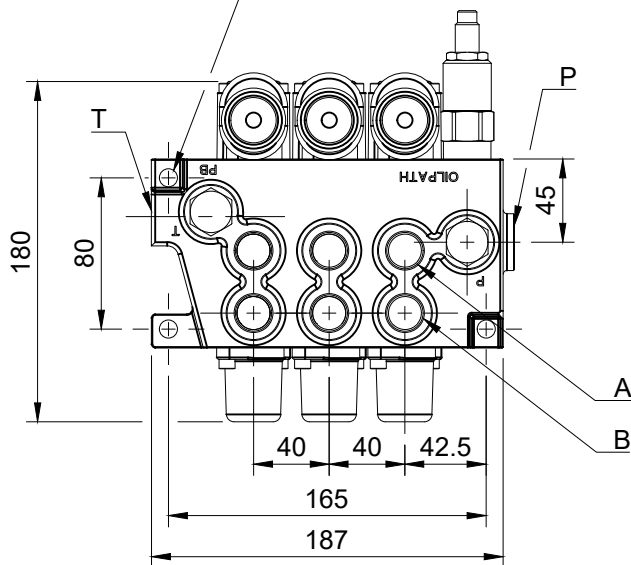


Ø9.6 x 3 Mount Holes



OP11-DDD-AAA

21/05/2023

Max Relief Adjustment - 315 Bar

STD Relief Adjustment - 138 Bar

Maximum Flow Rate 60 L/min

		Optional Control Configuration				Port Size UNO		Options
	Spool Types	A	Spring Return A & B	F	Spring Return A, Restrict B	P	3/4"	HP Carry Over Plug
D	Double Acting	B	Detent A, Spring Return B	G	Restrict A, Spring Return B	A	3/4"	
S	Single Acting	C	Detent A & B	H	Restrict A, Detent B	B	3/4"	Closed Centre Plug
M	Motor Spool	D	Spring Return A, Detent B	I	Air Actuator	T	3/4"	
H	Hose Reel	E	Detent A, Restrict B	J	Air & Lever Control	PB	Plugged"	No Relief