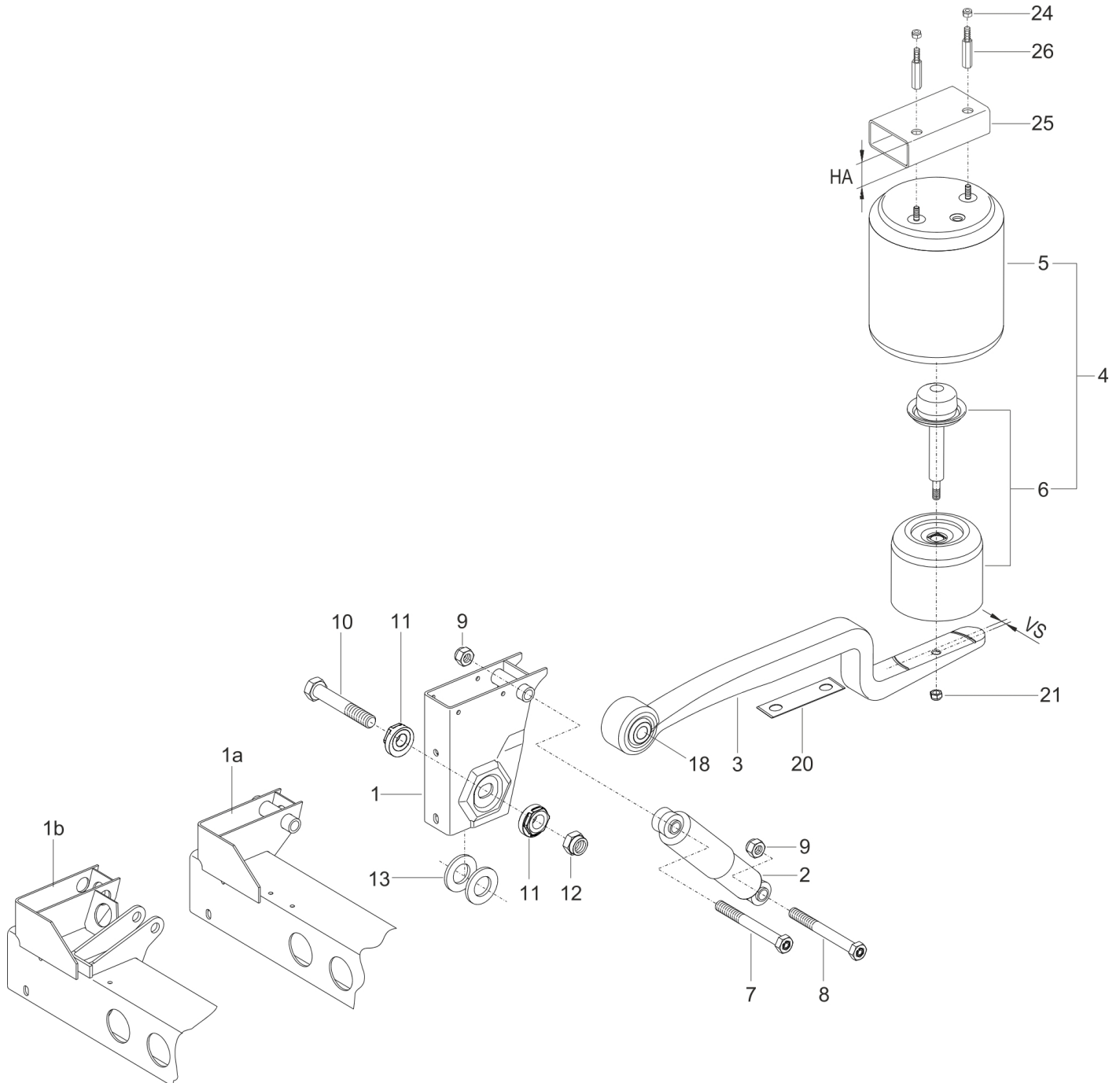


SPARE PARTS

Air suspension spring width 70 Bellow Ø300 NKLR(C)M Ride height 355-415 HA70 VS15		NKLR(C)M 355	
Version:	Edition: 28/08/2017	ELU0007	Page: 1 (3)



SPARE PARTS

Air suspension spring width 70 Bellow Ø300 NKLR(C)M Ride height 355-415 HA70 VS15			NKLR(C)M 355		
Version:		Edition: 28/08/2017		ELU0007	Page: 2 (3)
Item	Part-No.	Qty.	Description	Dimension	
			NKLRM FB70 355-415 HA=70		
			NKLRM FB70 355-415 HA=70 NL		
			VS spring / bellow = 15mm		
1	700249800	2	Air suspension bracket M 110/30 FB70 / Welded part		
			NKLRCM 1200 FB70 355-415 HA=70		
			VS spring / bellow = 15mm		
1a	700343008	1	Air suspension bracket M 1200 with C-profile FB70 / Welded part		
			NKLRCM 1300 FB70 355-415 HA=70		
			VS spring / bellow = 15mm		
1a	700343010	1	Air suspension bracket M 1300 with C-profile FB70 / Welded part		
			NKLRCM VS1030/1300 FB70 355-415 HA=70 NL (Part 7 special)		
			VS spring / bellow = 15mm		
1b	700343037	1	Air suspension bracket M VS1030/1300 with C-profile FB70 / Welded part		
7	00165309	2	Kit Shock absorber fixation screw + nut For FB70 C-profile with offset Only for air suspension bracket with C-profile and offset - part 1b		M24x100
2	700196115	2	Shock absorber		D82 L325/495
3	700639069	1	Spring 4,5t NLR 45.1-70 L		
3	700639070	1	Spring 4,5t NLR 45.1-70 R		
4	700166292	2	Air bellow 3042B 724N complete replaced by 700166362 Change complete on both sides!		
4	700166362	2	Air bellow 3042B complete		
5	700246090	2	Air bellow 3042A 724K with flanged plate		
6	700167280	2	Piston 3053 724N replaced by 700166361 Change complete on both sides!		
6	700166361	2	Piston 3042		
7	700165305	2	Kit Shock absorber fixation screw + nut		M24x220
8	700165305	2	Kit Shock absorber fixation screw + nut		M24x220
9	700012407	4	Locknut		M24/ DIN 980-10
10	700165332	2	Spring bolt M30x190 with locknut		
11	700149023	4	Eccentric bush		

SPARE PARTS

Item	Part-No.	Qty.	Description	Dimension
Air suspension spring width 70 Bellow Ø300 NKLR(C)M Ride height 355-415 HA70 VS15			NKLR(C)M 355	
Version:		Edition: 28/08/2017		ELU0007
				Page: 3 (3)
12	700013002	2	Locknut	M30x3,5/ DIN 980
13	700196079	4	Wear plate	Ø90xØ52/3
18	700196078	2	Silentblock	
20	700609208	2	Steel strip spacer	64x2x220 / 2xØ32
21	710500135	2	Locknut	M16/ DIN 980
24	710500119	4	Locknut	M12/ DIN 985
25	700196080	2	Top bracket 70 high	HA=70
26	700019093	4	Thread extension	M12, 100lg SW19