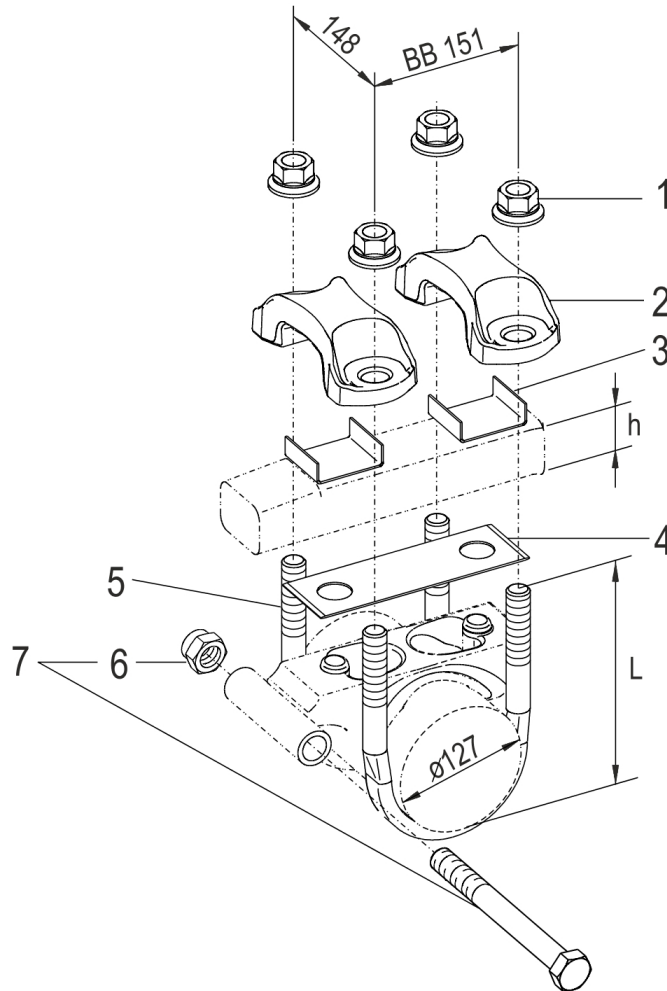


Attachment for round axles with air suspension plates on the top spring width 70 M22x1,5		ZSP-148x151-.. RB	
Version:	Edition: 28/03/2017	EEB0080	Page: 1 (2)



Item	Part-No.	Qty.	Description	Dimension
1	708606072	8	Spigot wheel nut	M22x1,5 SW32
2	700140072	4	Clamp plate	
3	700310969	4	Sandwich plate	
4	700609208	2	Steel strip spacer	64x2x220 / 2xØ32
			ZSP-148x151-22 RB / 700170485	
			L=220 h=56	
5	700191102	4	U-bolt R64,5 flat	M22x1,5 x220

SPARE PARTS

Attachment for round axles with air suspension plates on the top spring width 70 M22x1,5			ZSP-148x151-.. RB		
Version:		Edition: 28/03/2017		EEB0080	Page: 2 (2)
Item	Part-No.	Qty.	Description	Dimension	
5	700191103	4	ZSP-148x151-24 RB / 700170487 L=240 h=62 U-bolt R64,5 flat	M22x1,5 x240	
5	700191114	4	ZSP-148x151-23 RB / 700170467 L=230 h=62 FH240 U-bolt R64,5 flat	M22x1,5 x230	
6	700012407	2	Locknut	M24/ DIN 980-10	
7	700165305	2	Kit Shock absorber fixation screw + nut	M24x220	