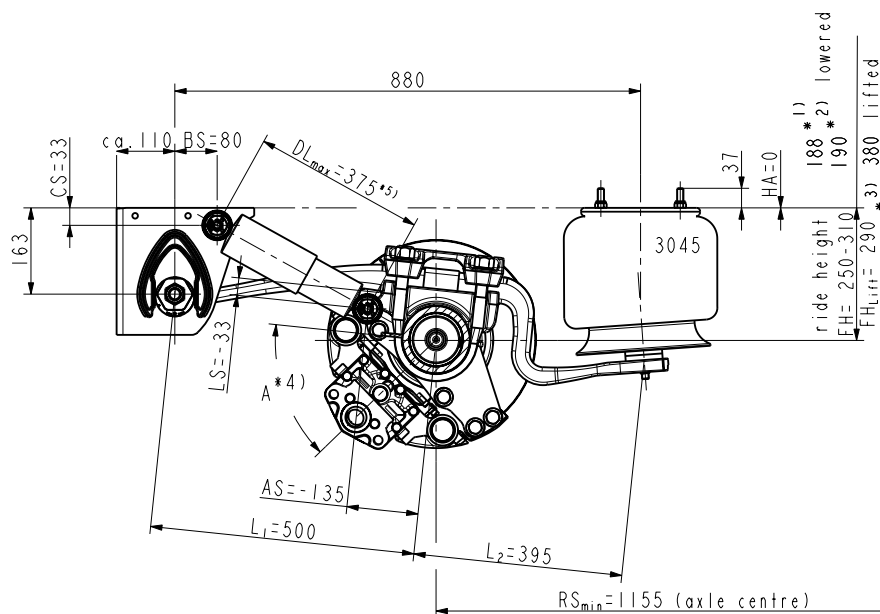


DKH2 090 NKLRT 50.39/9.1 GL70 VS45 250-310 ride height (FH)



axle load:

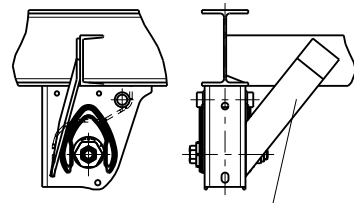
max. 9000 kg at 105 km/h

(depend on spring track and centre of gravity height)

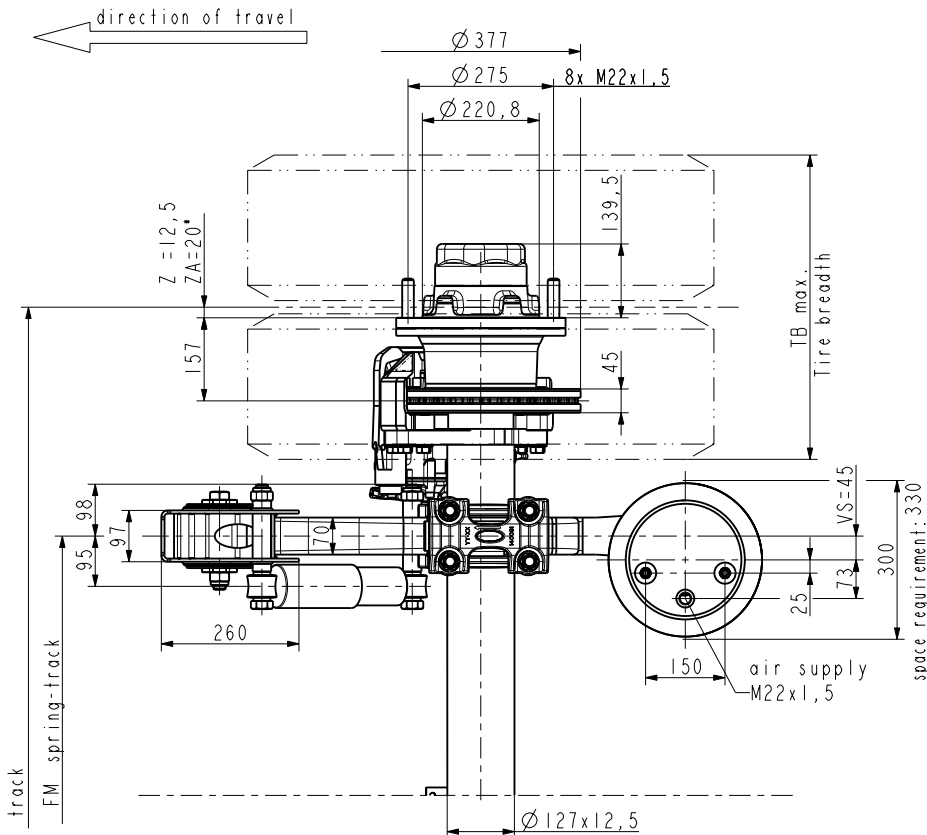
lift in total: 190 mm at FH_{oL} *2)

- * 1) laden, without air
- * 2) unladen, without air
- * 3) FH_{Lift}=290 mm
minimum acceptable height with axle lift
(theoretical distance Tire-Road = 100mm)
- * 4) -Twinlift No.
only for A=50°: 700631370
- * 5) Just for raising and lowering (HS) locking valve to be adjusted that air supply is stopped at DL_{max}=375.
- * 6) Low ground clearance for brake cylinder.

Recommendation side support
Details see Installation Instructions



not part of normal delivery



Test report:
361-106-03 (3745 WABCO)

No.	track	A	FM	KMAT		weight kg (±2%)	TB max.	recommendation for twin mount
					ABS			
1	1830	50°*6)	980	793011026	793011027	395	595	265/70 R19,5
2	1845	50°*6)	980	793010170	793010171	399	595	265/70 R19,5*
								* on alu rim
								Take care of sufficient tyre load capacity

OBSERVE INSTALLATION
INSTRUCTIONS !!!

gigant

TRENKAMP & GEHLE GmbH
D-49413 Dinklage

Draw.-no.: 793010169

Index
3