

# SPARE PARTS

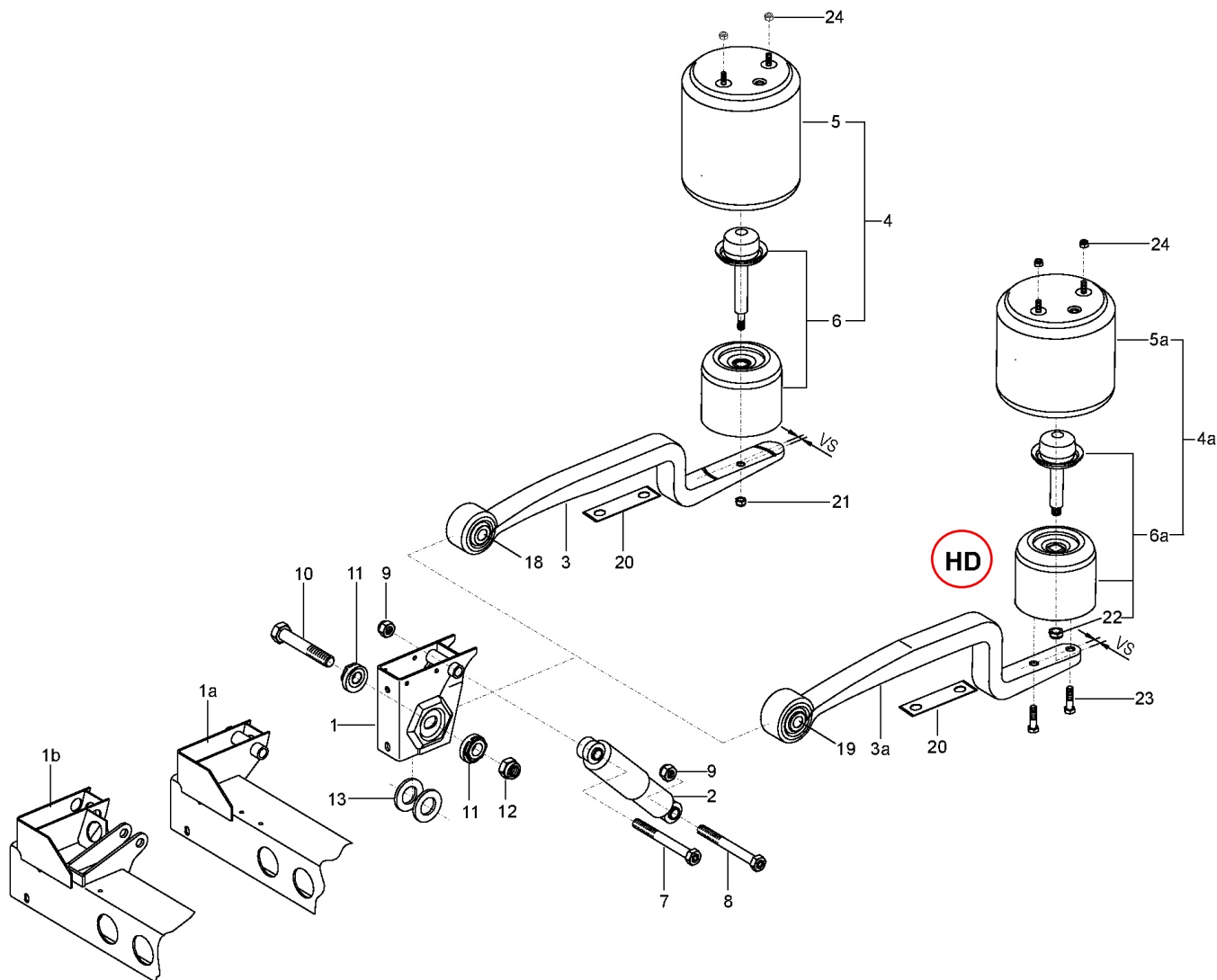
Air suspension spring width 70 Bellow Ø300  
HD FB70 VS45 3042HD

**NKLRT FB70 FH1 & FH2**

Ausführung / Running from:

Custom NZH - Feb 2020 SRK

Blatt / Pages - 2



# SPARE PARTS

<b>Luftfederaggregat Federbreite 70 Balg Ø300</b> NKLR(C)T Fahrhöhe 240-300 <b>Air suspension spring width 70 Bellow Ø300</b> NKLR(C)T Ride height 240-300	<b>ELU0001 NKLR(C)T 240</b>
---	-----------------------------

Ausführung / Running from:	Ausgabe / Printing: 02/08/2012	Blatt / Page: 2 (5)
----------------------------	--------------------------------	---------------------

Pos Item	Best.-Nr. Part-no.	Benennung	Designation	Anz. Qty.	Abmessung Dimension
			<b>NKLRT FB70</b>		
			<b>VS spring / bellow = 45mm</b>		
1	00249803		Air suspension bracket T 80/30 FB70	2	
2	700196121		Shock absorber	2	
3a	00639094		Spring 4,5t NLR 45.1/K205-70 FH1	2	
3a	00639095		Spring 4,5t NLR 45.1/K165-70 FH2	2	
4a	700166354		Air Bag 3042B HD complete	2	
7	00165305		Shock Bolt & (Nut) M24 x 220 (M24 DIN980)	4	
10	700165332		Pivot Bolt & (Nut) M30 x 185 (M30 DIN980)	2	
11	00149023		Eccentric Alignment Bush	4	
13	00196079		Pivot Wear Plate	4	
19	00196081		Pivot Bush HD (encased)	2	
20	00609208		Spring Liner	2	
22	10500140		Airbag Piston Locknut M22 x 1.5 DIN980	2	
23	10500001		Airbag bottom mounting Screws M16 x 60	4	
24	10500119		Airbag top locknuts	4	