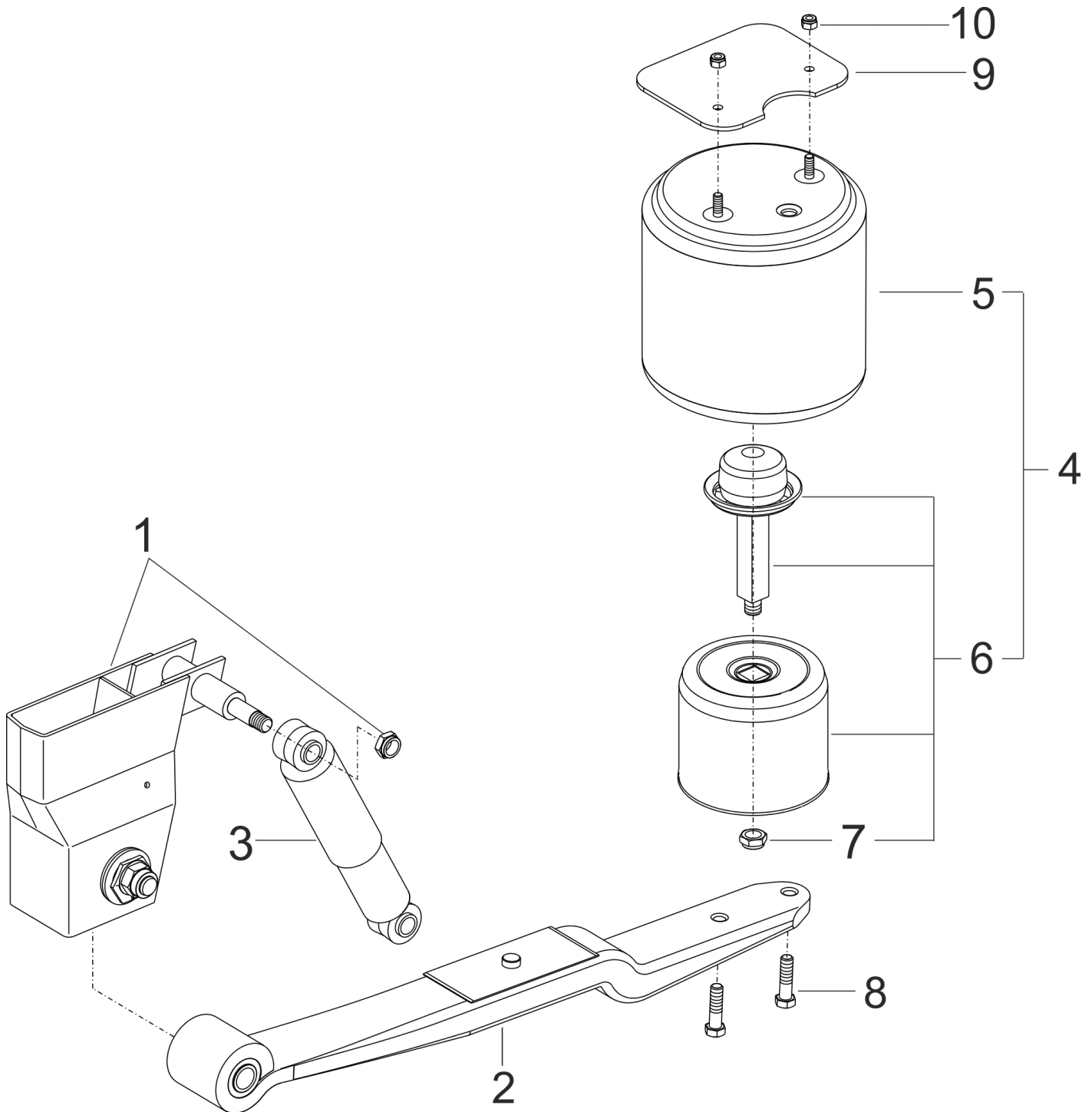


# SPARE PARTS

Air suspension spring width 100 Bellow Ø300		<b>TKLRM 50.42/9.1</b> <b>3053 VS0/45 HA6</b>	
Version: 03/1996	Edition: 15/10/2018	ELU1008	Page: 1 (2)



# SPARE PARTS

Air suspension spring width 100 Bellow Ø300			TKLRM 50.42/9.1 3053 VS0/45 HA6	
Version: 03/1996		Edition: 15/10/2018		ELU1008
Page: 2 (2)				
Item	Part-No.	Qty.	Description	Dimension
<b>TKLRM 50.42/9.1 3053 VS0/45 / 700630855</b>				
<b>Spare parts for suspension brackets see E030614</b>				
1	700164562	1	Air suspension bracket compl. right M 165/30 SW100	
1	700164561	1	Air suspension bracket compl. left M 165/30 SW100	
<b>Spare parts for air suspension spring see E010503</b>				
2	700639009	2	Spring 4,5t TLR 50.42/45.1	
3	700196111	2	Shock absorber Change complete for 1 axle!	D75 L326/500
4	700166259	2	Air bellow 3053 724N complete	
5	700246169	2	Air bellow 3053 724N with flanged plate	
6	700167259	2	Piston 3053 724N	
7	710500140	2	Locknut	M22x1,5/ DIN 980
8	710500001	4	Screw	M16x60
9	700300802	2	Plate 200x 6x245	
10	710500119	4	Locknut	M12/ DIN 985