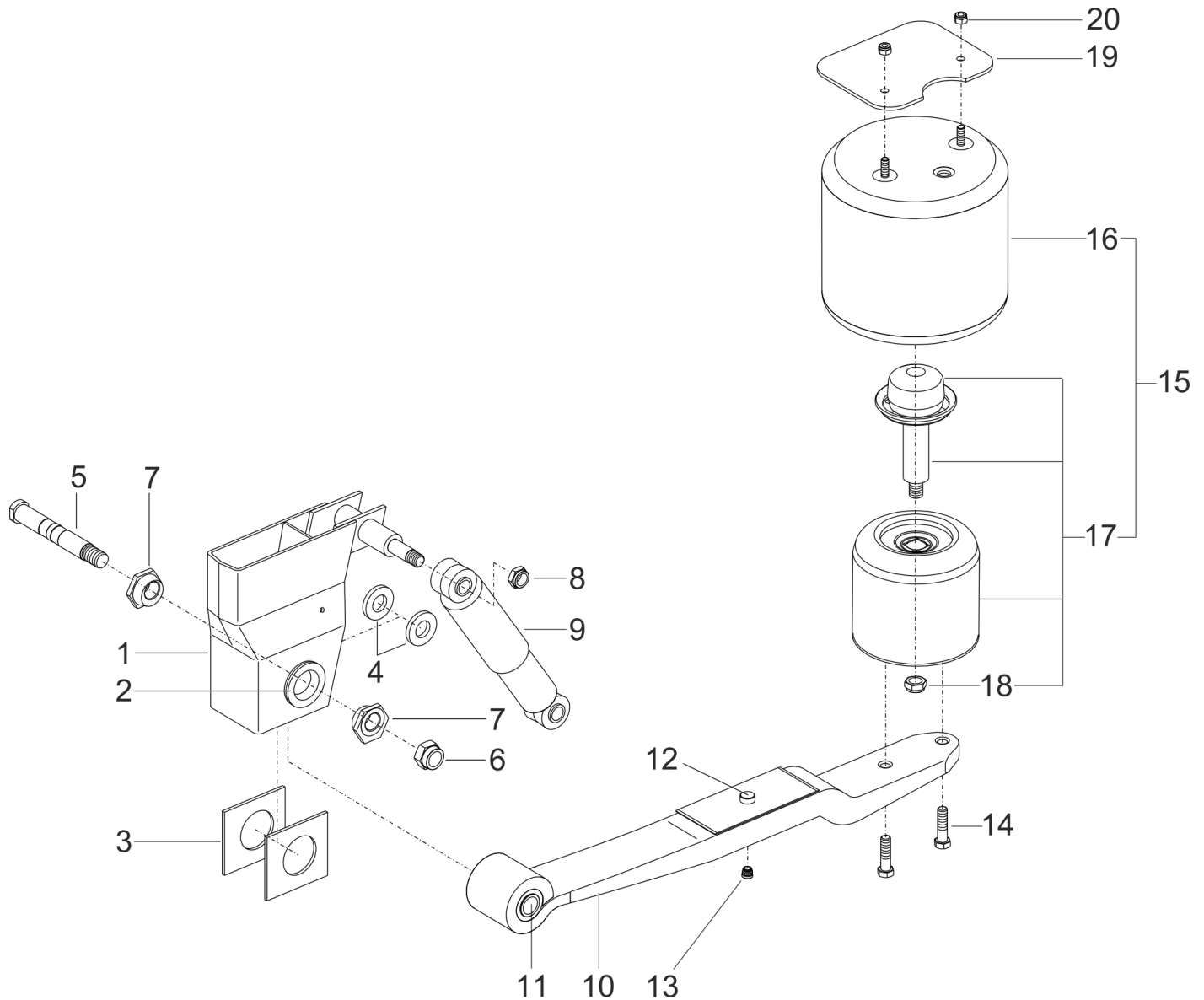


# SPARE PARTS

<b>Air suspension spring width 100 Bellow Ø300</b>		<b>TKLRM 50.35/9.1 3053 VS0/45 HA6</b>	
Version: 06/1996	Edition: 15/10/2018	ELU1046	Page: 1 (2)



Item	Part-No.	Qty.	Description	Dimension
			<b>TKLRM 50/9.1 3053 / VS 0/45 / 700630860</b>	
	700164562	1	Air suspension bracket compl. right M 165/30 SW100	
	700164561	1	Air suspension bracket compl. left M 165/30 SW100	
1	700249662	1	Air suspension bracket M165/30 right	

# SPARE PARTS

<b>Air suspension spring width 100 Bellow Ø300</b>	<b>TKLRM 50.35/9.1 3053 VS0/45 HA6</b>
--	--

Version: 06/1996	Edition: 15/10/2018	ELU1046	Page: 2 (2)
------------------	---------------------	---------	-------------

Item	Part-No.	Qty.	Description	Dimension
1	700249661	1	Air suspension bracket M165/30 left	
			<b>TKLRM 50/9.1 3053 / VS 0/45 / without priming colour / 700635075</b>	
	701645621	1	Air suspension bracket compl. right M 165/30 SW100 / without priming colour	
	701645611	1	Air suspension bracket compl. left M 165/30 SW100 / without priming colour	
1	702496621	1	Air suspension bracket M165/30 right / without priming colour	
1	702496611	1	Air suspension bracket M165/30 left / without priming colour	
2	700486004	4	Small conical bush	Ø80x15,5 / 5,5
3	700300730	4	Wear plate	130x6x120
4	700479018	4	Spacer 8mm	
5	700160169	2	Spring bolt 169 with locknut	M27x1,5 SW32
6	710500105	2	Locknut	M27x1,5/ DIN 980
7	700149017	4	Eccentric bush	
8	710500140	2	Locknut	M22x1,5/ DIN 980
9	700196111	2	Shock absorber Change complete for 1 axle!	D75 L326/500
10	700639004	2	Spring 4,5t TLR 45.1	
11	700196002	2	Silentblock	
12	700609601	2	Centering pin	Ø16x21/ K24x10
13	700190268	2	Finned plug Ø13/16,5	
14	710500001	4	Screw	M16x60
15	700166259	2	Air bellow 3053 724N complete	
16	700246169	2	Air bellow 3053 724N with flanged plate	
17	700167259	2	Piston 3053 724N	
18	710500140	2	Locknut	M22x1,5/ DIN 980
19	700300802	2	Plate 200x 6x245	
20	710500119	4	Locknut	M12/ DIN 985