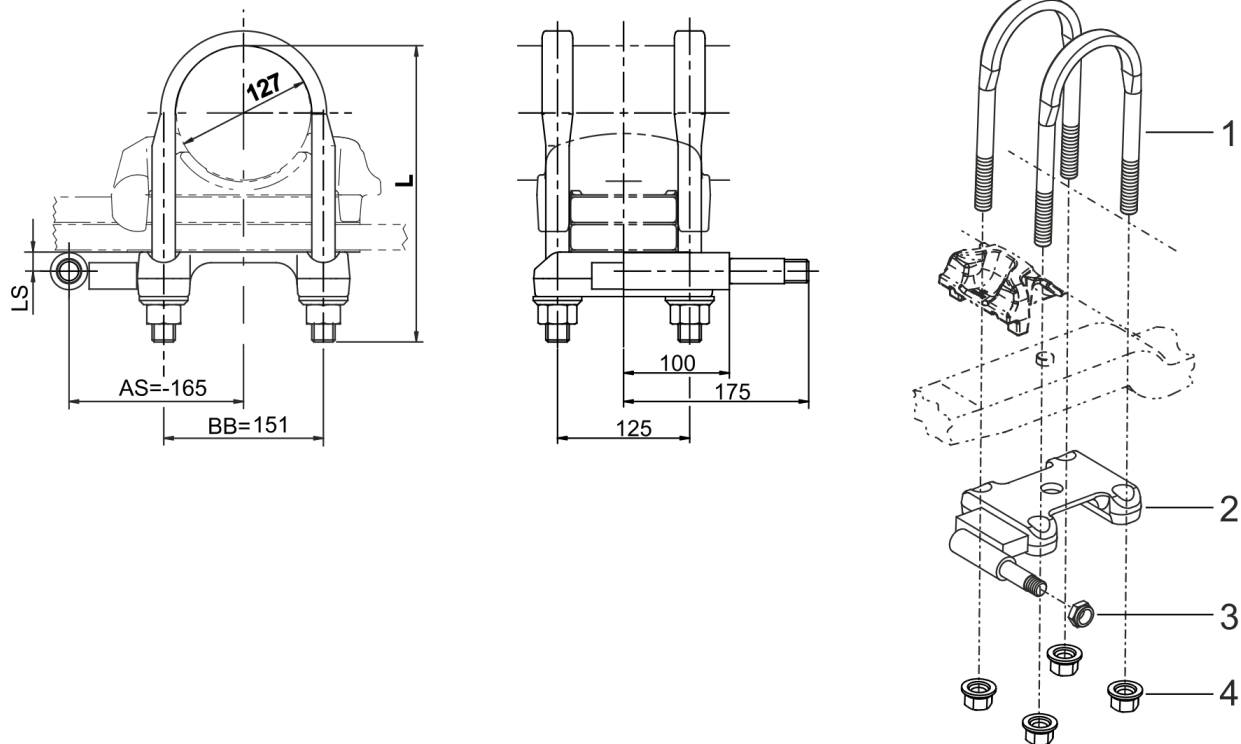


# SPARE PARTS

<b>Attachment for round axles with air suspension plates below FB100</b> M22x1,5 / with pin		<b>FT-165/..-152-.. RB</b>	
Version: 04/1996	Edition: 28/03/2017	EEB0102	Page: 1 (2)



Item	Part-No.	Qty.	Description	Dimension
			<b>700170580 FT-165/18-152-28 RB LS=18 L=280</b>	
1	700191105	4	U-bolt R64,5 flat	M22x1,5 x280
2	700179501	1	Spring support plate right	165V/18-151
2	700179500	1	Spring support plate left	165V/18-151
			<b>700170233 FT-165/18-152-34 RB LS=18 L=340</b>	
1	700191108	4	U-bolt R64,5 flat	M22x1,5 x340
2	700179501	1	Spring support plate right	165V/18-151
2	700179500	1	Spring support plate left	165V/18-151

# SPARE PARTS

Attachment for round axles with air suspension plates below FB100 M22x1,5 / with pin			FT-165/..-152-.. RB	
Version: 04/1996		Edition: 28/03/2017		EEB0102
Page: 2 (2)				
Item	Part-No.	Qty.	Description	Dimension
<b>700170543 FT-165/28-152-28 RB LS=28 L=280</b>				
1	700191105	4	U-bolt R64,5 flat	M22x1,5 x280
2	700179503	1	Spring support plate right	165V/28-151
2	700179502	1	Spring support plate left	165V/28-151
<b>700170211 FT-165/28-152-32 RB LS=28 L=320</b>				
1	700191107	4	U-bolt R64,5 flat	M22x1,5 x320
2	700179503	1	Spring support plate right	165V/28-151
2	700179502	1	Spring support plate left	165V/28-151
<b>700170561 FT-165/28-152-34 RB LS=28 L=340</b>				
1	700191108	4	U-bolt R64,5 flat	M22x1,5 x340
2	700179503	1	Spring support plate right	165V/28-151
2	700179502	1	Spring support plate left	165V/28-151
<b>700173651 FT-165/28-152-36 RB LS=28 L=360</b>				
1	700191109	4	U-bolt R64,5 flat	M22x1,5 x360
2	700179503	1	Spring support plate right	165V/28-151
2	700179502	1	Spring support plate left	165V/28-151
<b>700170569 FT-165/38-152-28 RB LS=38 L=280</b>				
1	700191105	4	U-bolt R64,5 flat	M22x1,5 x280
2	700179505	1	Spring support plate right	165V/38-151
2	700179504	1	Spring support plate left	165V/38-151
3	710500140	2	Locknut	M22x1,5/ DIN 980
4	708606072	8	Spigot wheel nut	M22x1,5 SW32