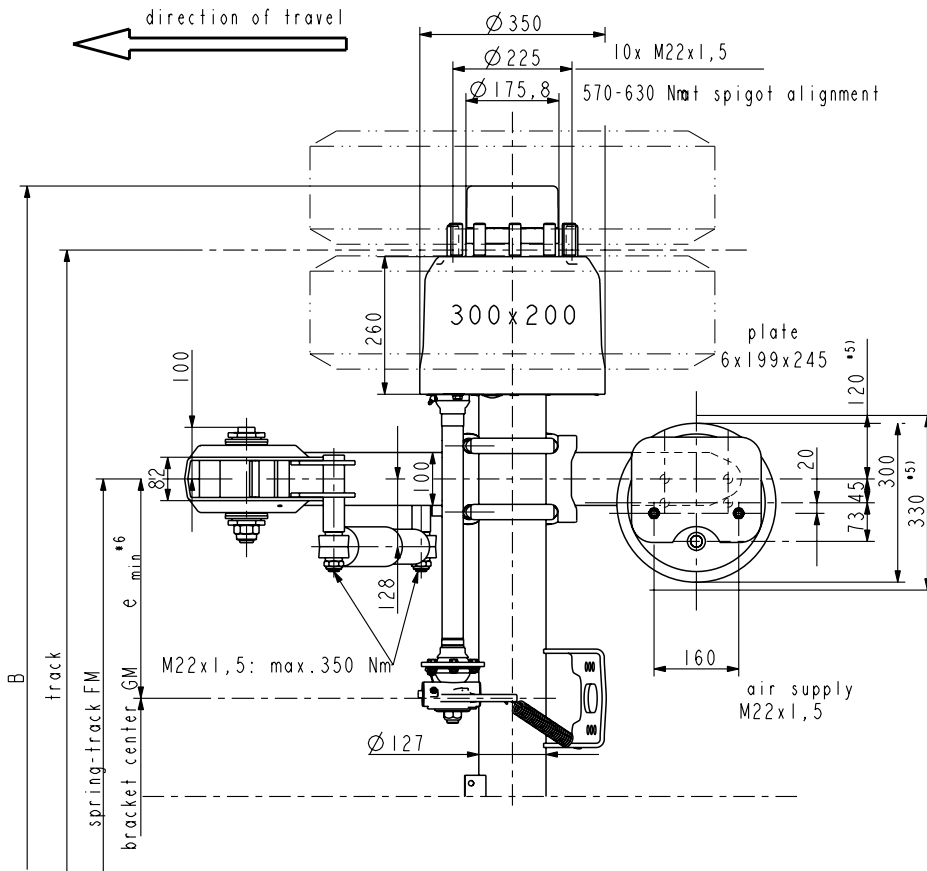
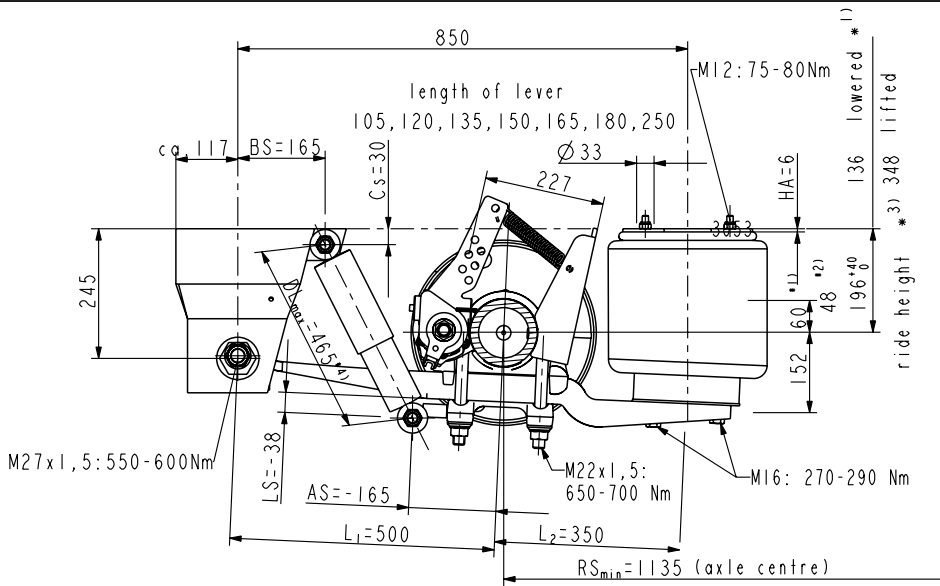


# GKH2 105 TKLRM 50/9.1

ride height FH: 196-236 mm



## axle load:

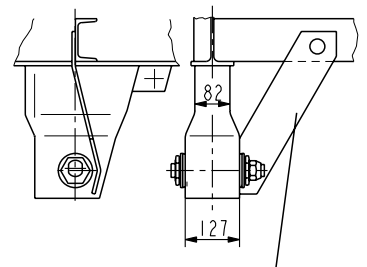
max. 9000 kg at 105 km/h

(depend on spring track and centre of gravity height)

lift in total: 200 mm at FH<sub>OL</sub> \*2)

- \* 1) laden, without air
- \* 2) unladen, without air
- \* 3) FH<sub>Lift</sub>=248 mm  
minimum acceptable height with axle lift
- \* 4) Just for raising and lowering (HS) locking valve to be adjusted that air supply is stopped at DL<sub>max</sub>=465.
- \* 5) space requirement
- \* 6) e<sub>min</sub> for brake-cylinder 30 = 280mm  
for tristop-cylinder = 315mm

## Recommendation side support



not part of normal delivery

test report: TDB 0574

No.	track	GM	B	FM	order no.		weight kg (±2%)	recommendation for twin mount
					AGS	ABS+AGS		
1	1875	269	2117	965	5 105 7 139	5 105 7 140	448	245/70 R17,5 *
2								
3								
4								
5								
6								
7								
8								
9								

\* Take care of sufficient tyre load capacity

OBSERVE INSTALLATION INSTRUCTIONS !!!

**gigant**

TRENKAMP & GEHLE GmbH  
D-49413 Dinklage

Draw.-no.: 9915-441

Index

0