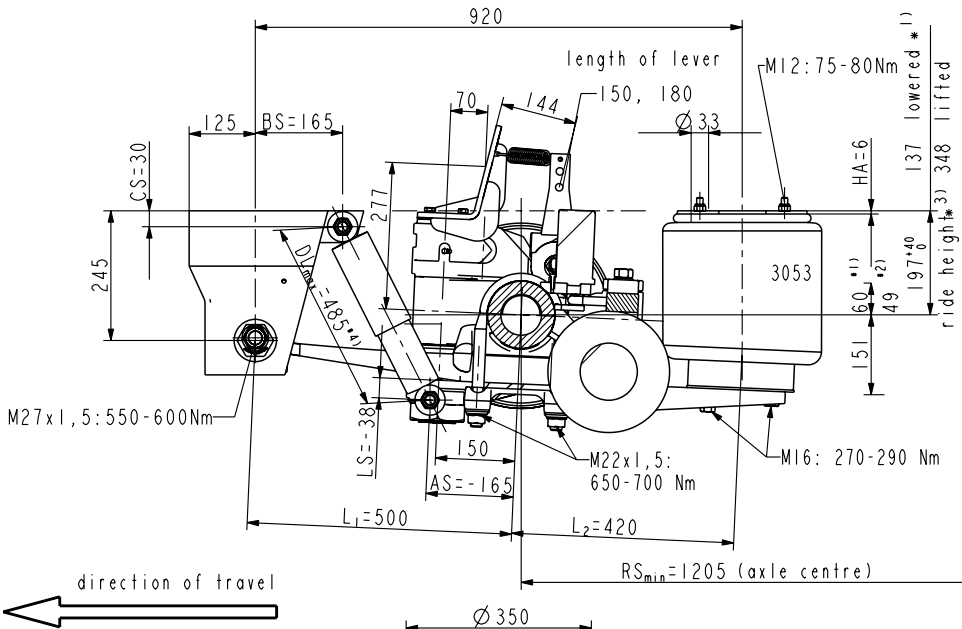


GENKH2 105 TKLRM 50.42/9. ride height FH: 197-237 mm



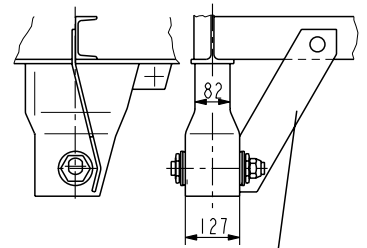
axle load:

max. 9000 kg at 105 km/h
(depend on spring track and centre of gravity height)

lift in total: 200 mm at $FH_{OL}^{*2)}$

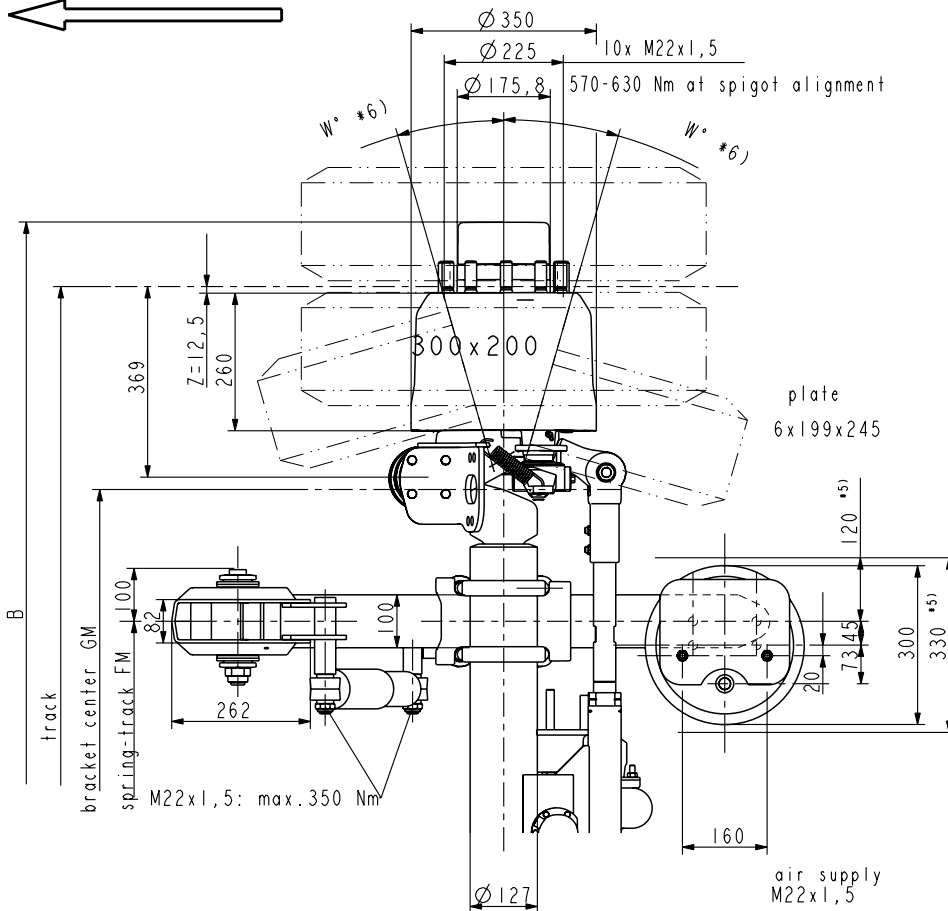
- * 1) laden, without air
- * 2) unladen, without air
- * 3) $FH_{Lift} = 248$ mm
minimum acceptable height with axle lift
- * 4) Just for raising and lowering (HS) locking valve to be adjusted that air supply is stopped at $DL_{max} = 485$.
- * 5) space requirement
- * 6) Reducing of the steer angle has to be done by the trailer manufacturer

Recommendation side support



not part of normal delivery

test report: TDB 0574



No.	track	GM	B	FM	W°	order no.		weight kg (±2%)	recommendation for twin mount
						AGS	ABS+AGS		
1	1875	1104	2119	730	19	5 105 0 265	5 105 0 266	633	245/70 R17,5 *
2									
3									
4									
5									
6									
7									
8									
9									

* Take care of sufficient tyre load capacity

OBSERVE INSTALLATION INSTRUCTIONS !!!

gigant

TRENKAMP & GEHLE GmbH
D-49413 Dinklage

Draw.-no.: 9915-460

Index
0