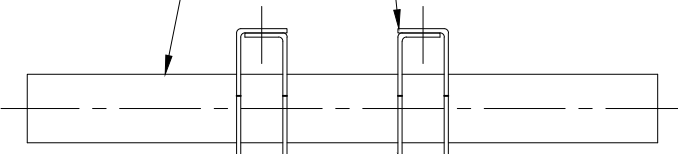
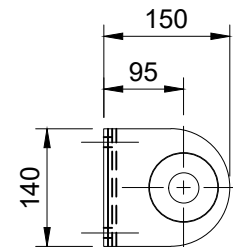
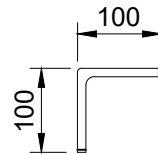
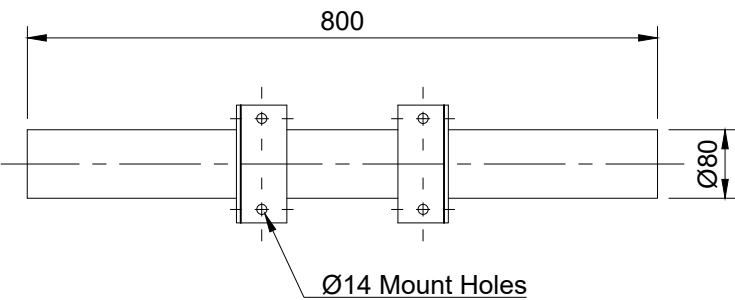
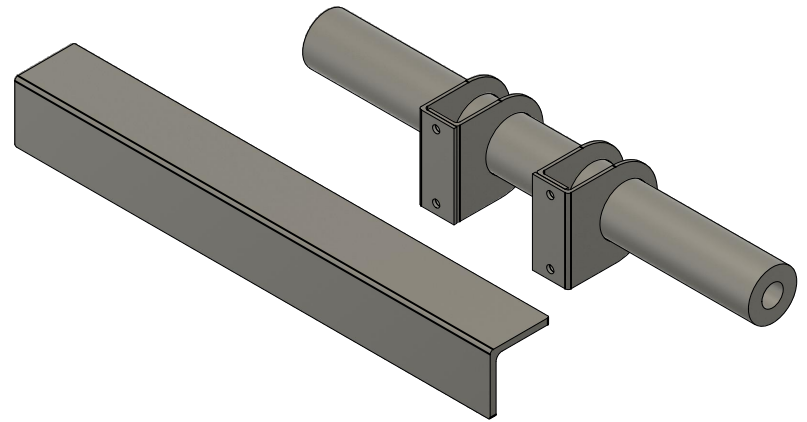


Foot Bracket Tube Cut to Length Required

Two Piece Foot Mount Bracket Welding Assembly Required



Brackets Welded to Cross Tube Finished Position t/s Cylinder



ALL DIMENSIONS IN MM

Ram Mount Kit

OEM-CUS-CBTA



26/06/2023