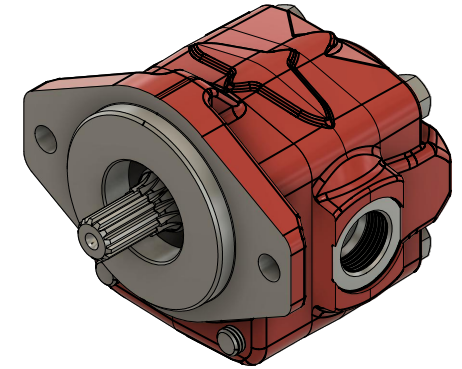


C
Rear Ports
UNO Thread

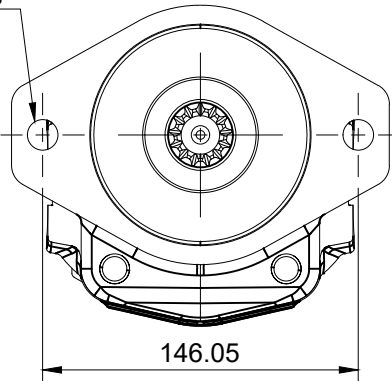


Bi Rotational

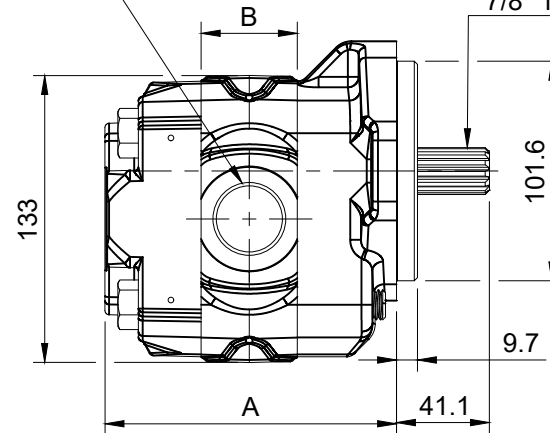
D
Side Ports
UNO Thread

Shaft
7/8" 13 Tooth Spline

Ø14.2 x 2 Holes



146.05



133

101.6

9.7

A

41.1



18/01/2023

PKSxx-2BSBB

Pump Type		06	08	11	13	15	17	Pump Type	A	B	C	D
Displacement	cm ³ /rev	24	32	40	48	57	65	06	128	38.1	1-1/16	1-5/16
Max Operating Pressure	Bar	207	207	207	207	172	172	08	134	44.5	1-5/6	1-5/16
Max Continuous Speed	RPM	3600	3000	3000	2500	2500	2500	11	141	50.8	1-5/6	1-5/16
Minimum Speed	RPM	600						13	147	57.2	1-5/6	1-5/16
Recommended Filtration								15	154	63.5	1-5/6	1-5/16
Return Line 10µ or Better								17	160	69.9	1-5/6	1-5/16