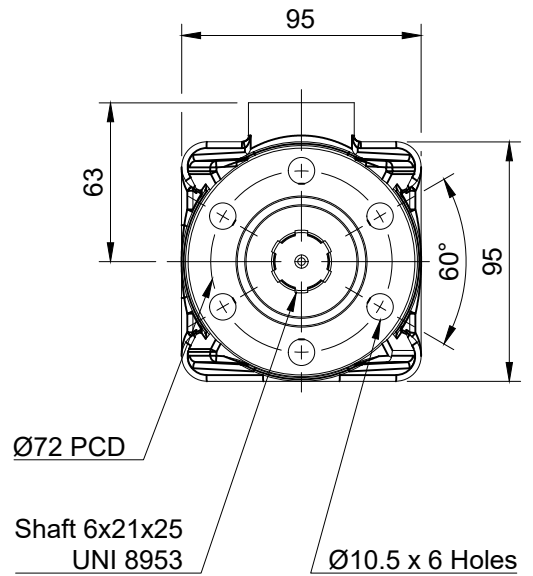
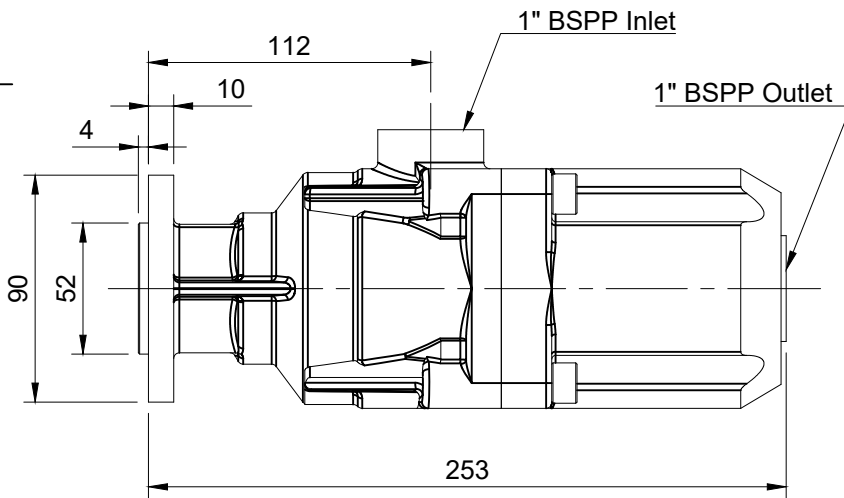

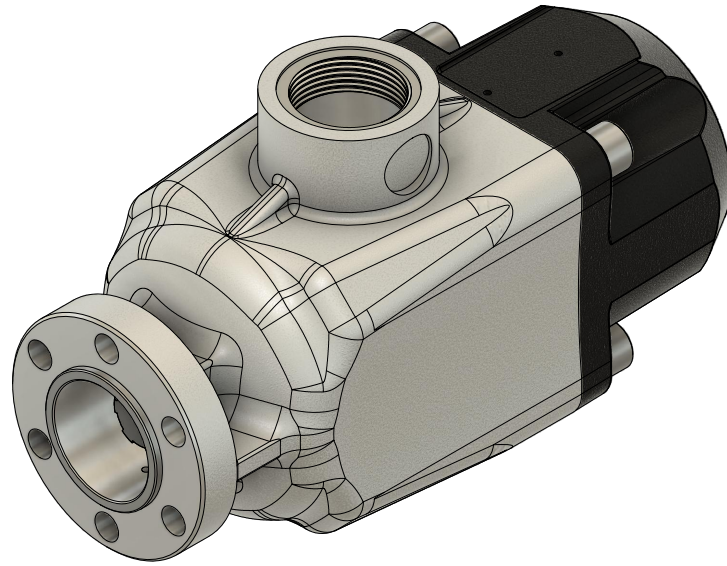




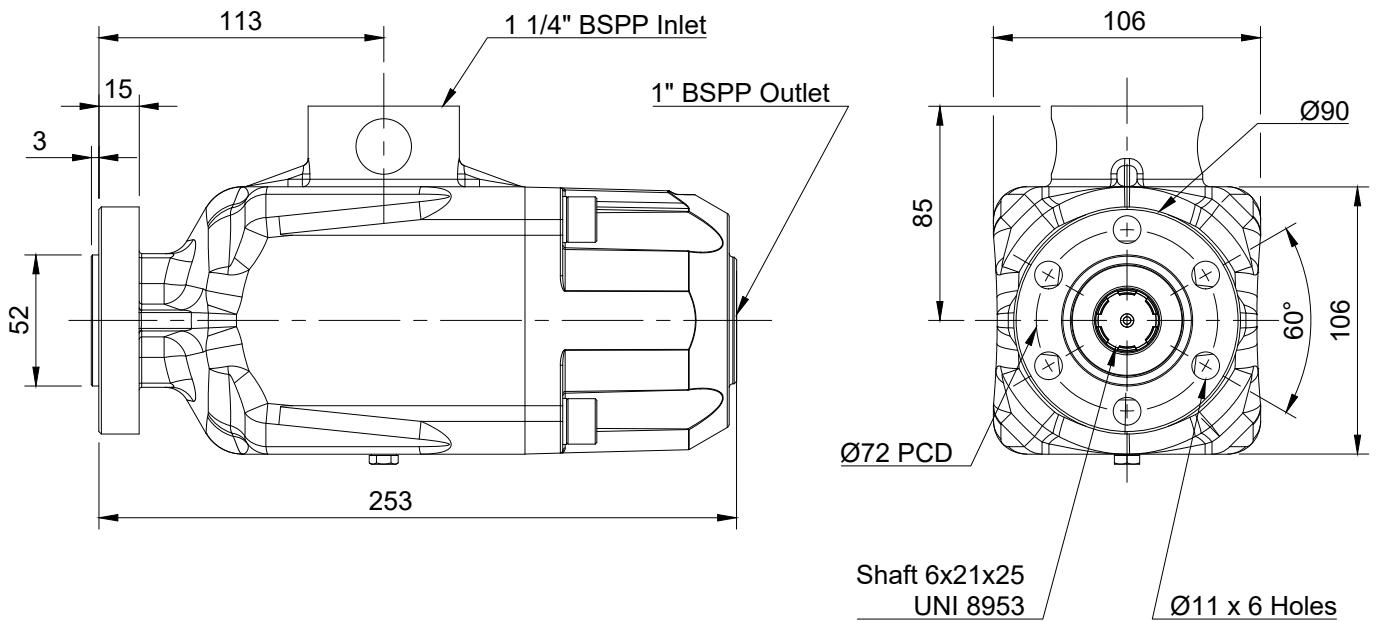
BI Rotational




201PExxx000 Bi Rotational					
Pump Type		014	025		
Displacement	cm <sup>3</sup> /rev	16	26.7	≤ 200 Bar = 40μ	≥ 200 Bar = 25μ
Max Continuous Operating Pressure	Bar	330	330		
Max Continuous Speed	RPM	1800	1800	30/11/2022	



BI-Rotational



201PExxxZ00 Bi Rotational					
Pump Type		040	050	060	
Displacement	cm <sup>3</sup> /rev	37	50	60	<b>Recommended Filtration</b> ≤ 200 Bar = 40μ    ≥ 200 Bar = 25μ
Max Continuous Operating Pressure	Bar	330	330	290	
Max Continuous Speed	RPM	1800	1800	1700	23/11/2022