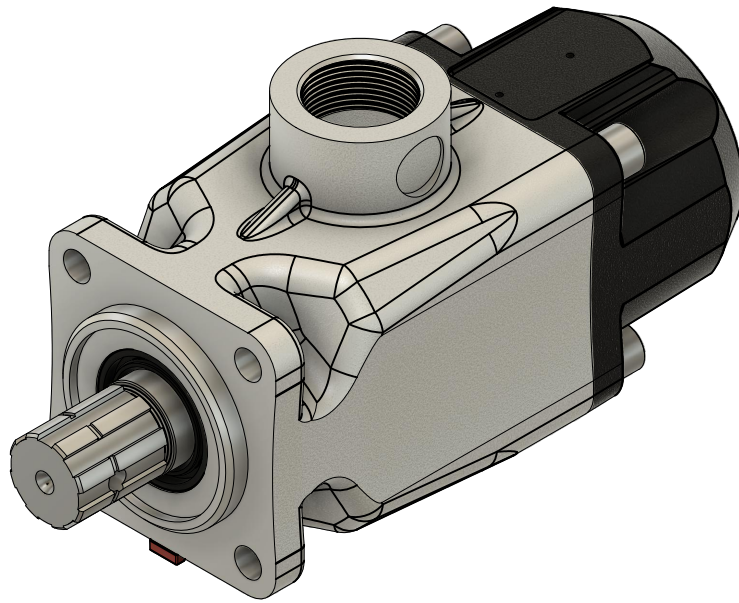


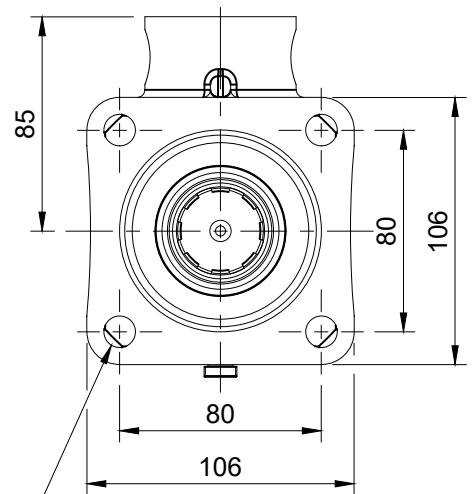
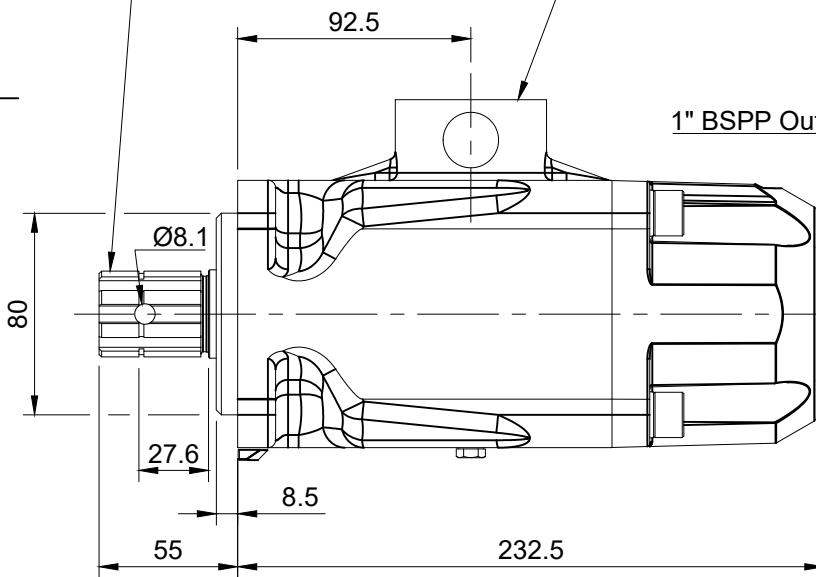
Bi Rotational



Shaft 8x32x36
ISO 14 DIN 5462

1 1/4" BSPP Inlet

1" BSPP Outlet



Ø12.5 x 4 Holes

201PExxxZSE Bi Rotational



Pump Type		040	050	060	Recommended Filtration	
Displacement	cm ³ /rev	37	50	60	≤ 200 Bar = 40μ	≥ 200 Bar = 25μ
Max Continuous Operating Pressure	Bar	330	330	290		
Max Continuous Speed	RPM	1800	1800	1700	24/11/2022	