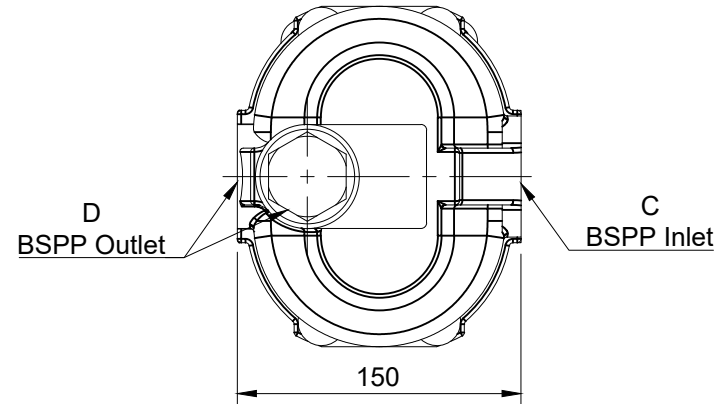
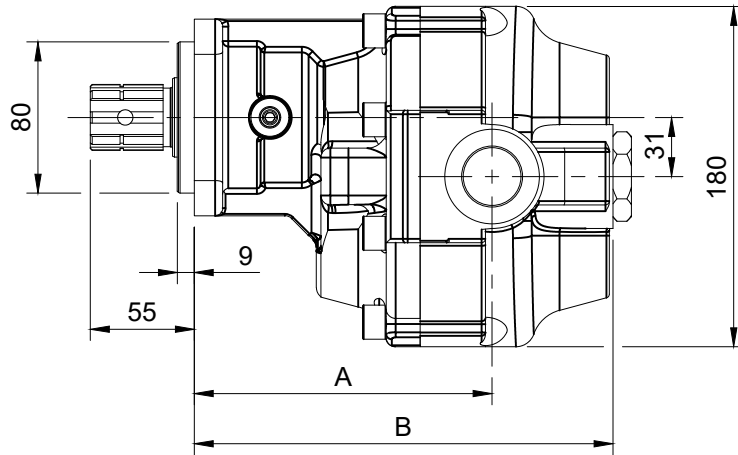
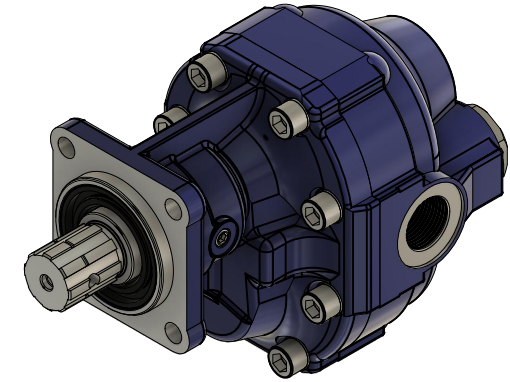


Ø12.5 x 4 Holes

80

80

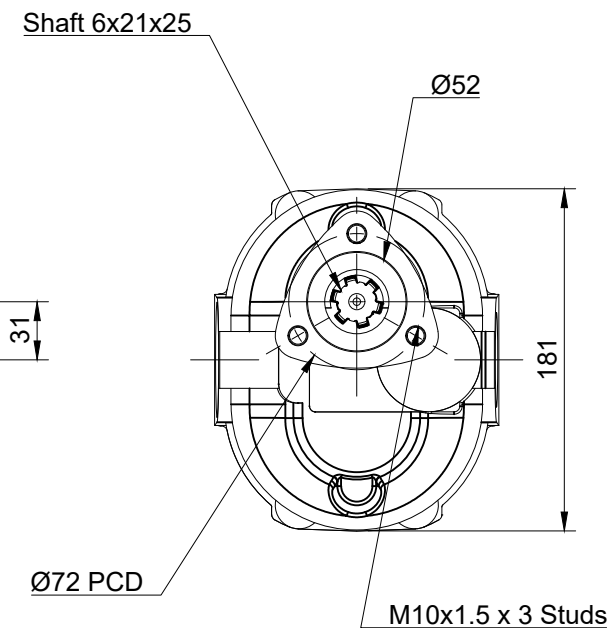
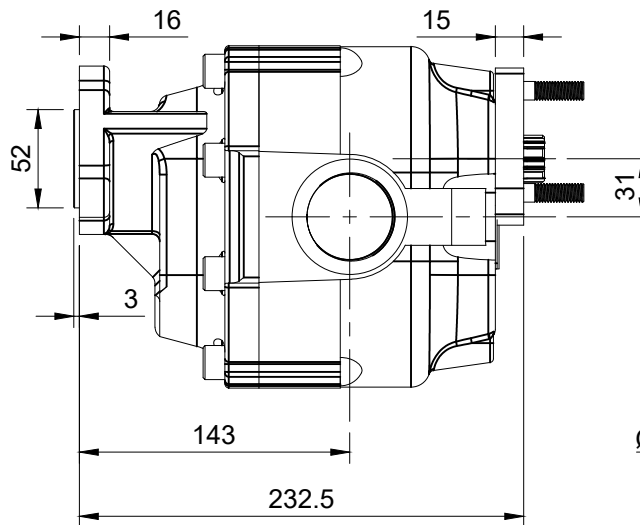
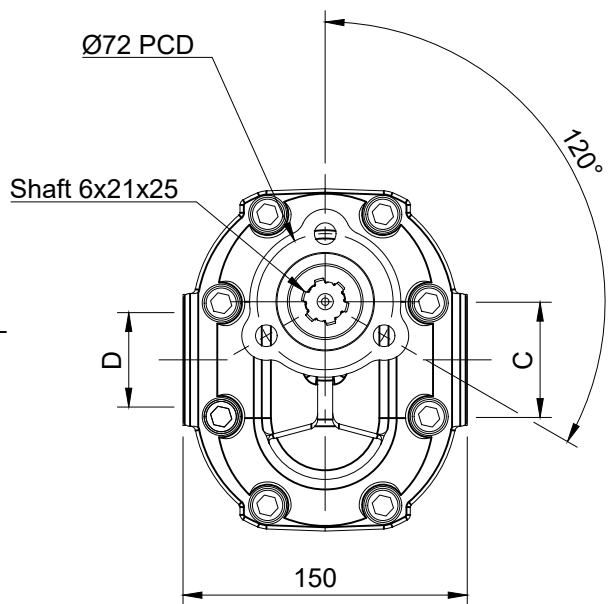
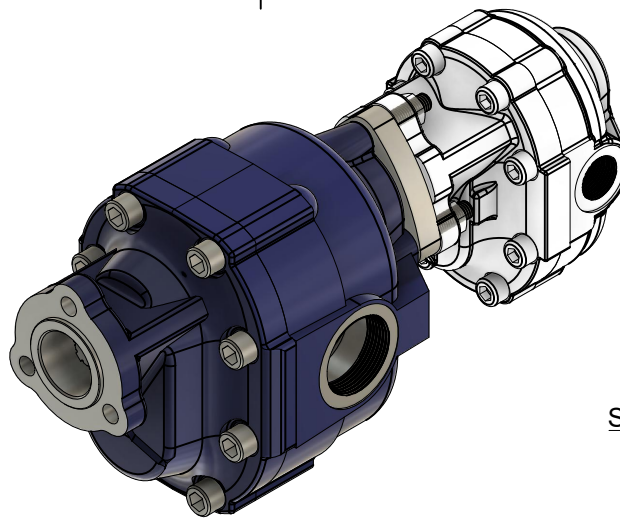
Shaft 8x32x36
DIN 5462



200NFA090*S *Rotation D=Clockwise S=Anti-Clockwise




Pump Type		90							
Displacement	cm ³ /rev	88.7			7/12/2022				
Max Operating Pressure	Bar	250			Pump Type	A	B	C	D
Max Continuous Speed	RPM	1800			90	158	222	1 1/4"	1"
Min Intermittent Speed	RPM	300 Max 30 seconds							
Recommended Filtration									
< 140 Bar 25µ		140 > 210 Bar 10µ			> 210 Bar 10µ				



200FZH150ST



Pump Type		150	Ports BSPP		<div style="text-align: center;">  </div>	
Displacement	cm ³ /rev	148	Inlet	Outlet		2/12/2022
Max Continuous Operating Pressure	Bar	180	C	D		Recommended Filtration
Max Continuous Speed	RPM	1500	1 1/2"	1"		≤ 200 Bar = 40μ ≥ 200 Bar = 25μ