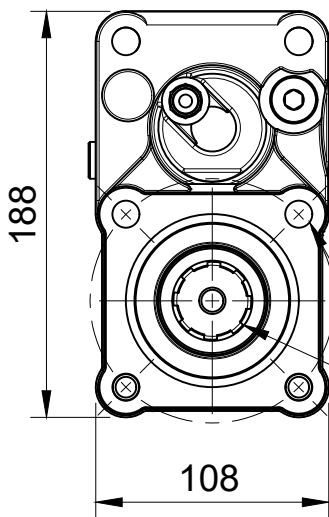
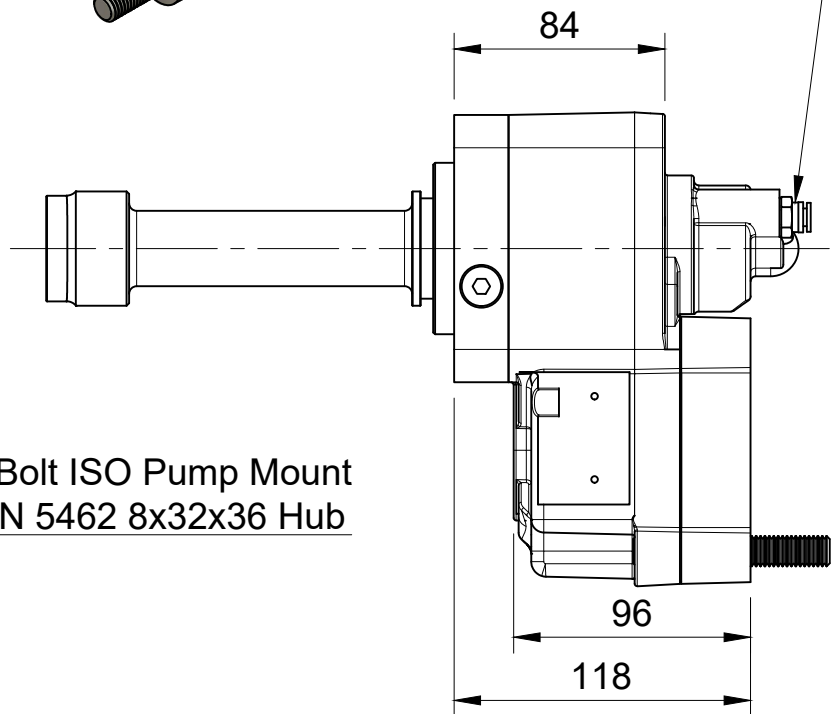


6mm Push Fit Air Inlet

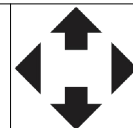


4 Bolt ISO Pump Mount  
DIN 5462 8x32x36 Hub



← Travel Direction

GBX-FS8209-C



**THS**

Gearbox	PTO Code	PTO Ratio @ 1000 eng. rpm  rpm	MAX TORQUE  Nm	Mounting Position	Output	Rotation	Mounting Kit
							199K7220000
							Shaft Kit
FS8209	P82Z2P10294	1020	300	Rear	Rear	Acw	601K6190000