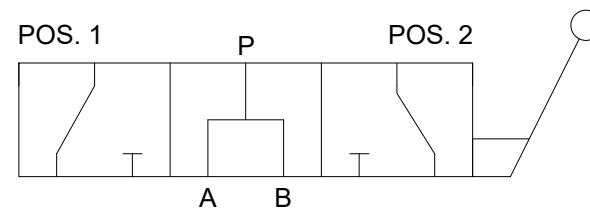
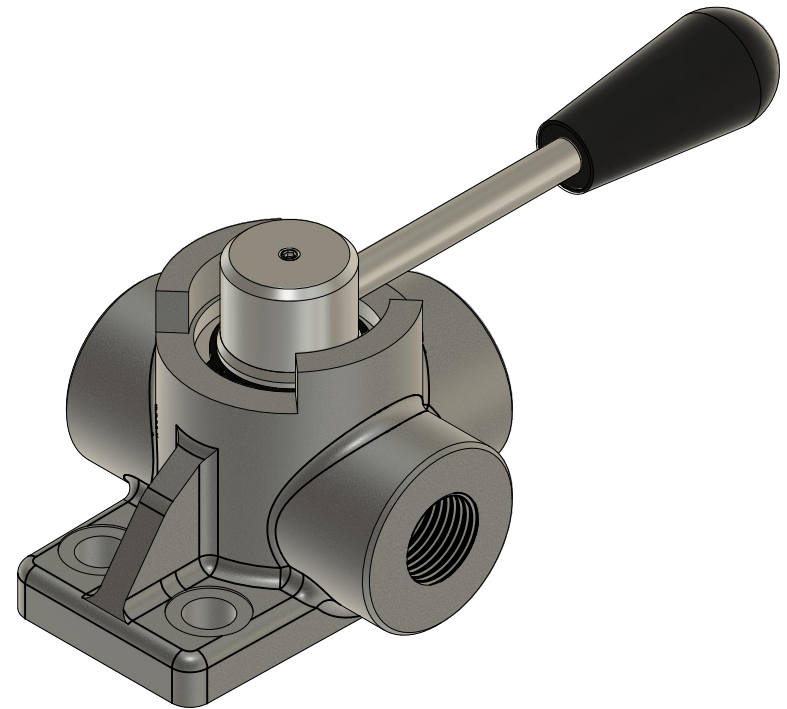
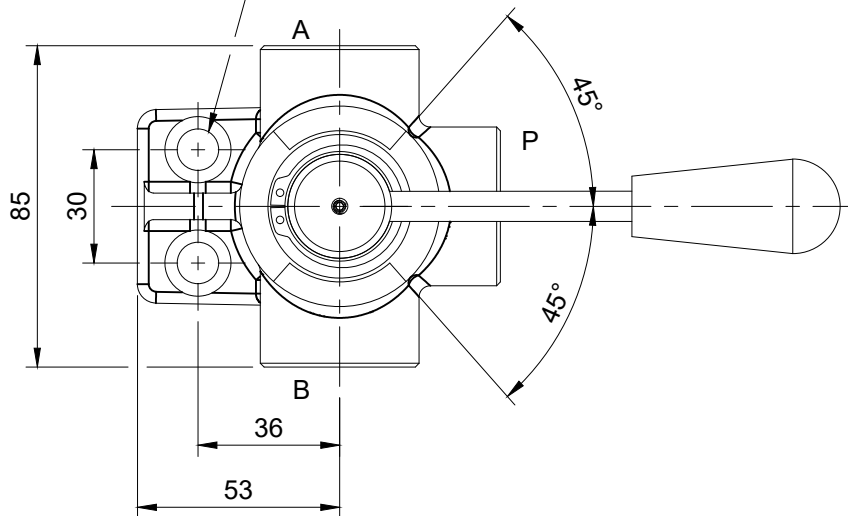


All Ports 1/2" BSPT

Ø11 x 2 Mount Holes



ALL DIMENSIONS IN MM

Manual Diverter 3 Way

Maximum Flow	90 L/min	Working Pressure	280 Bar
--------------	----------	------------------	---------

D3V12



21/04/2023