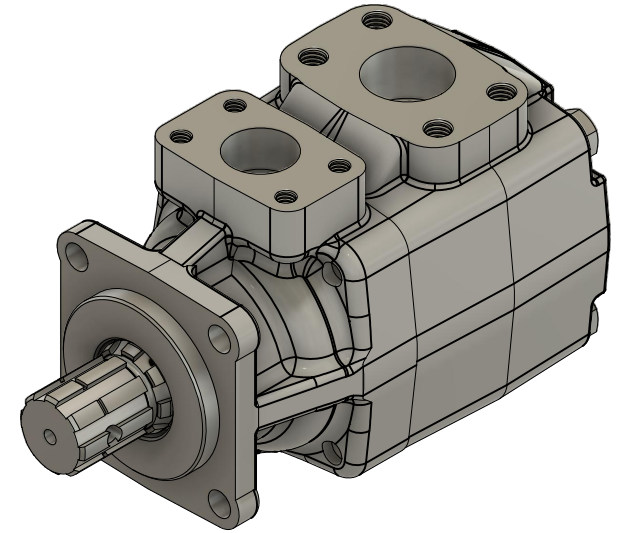
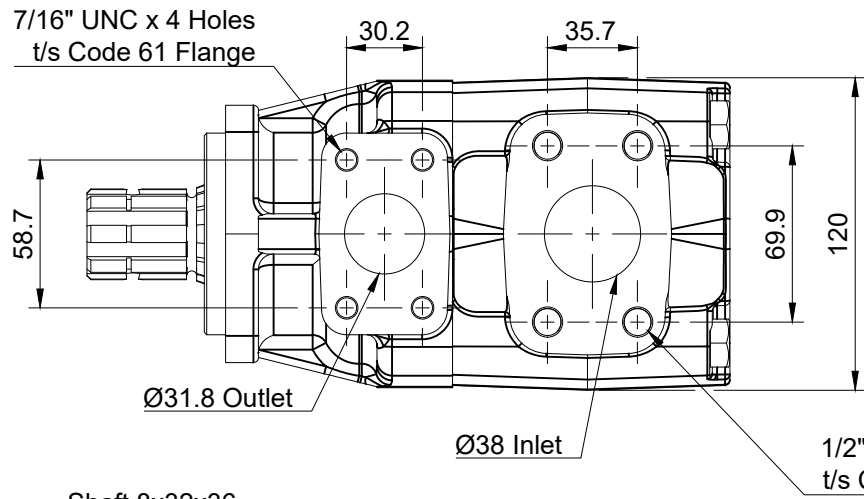
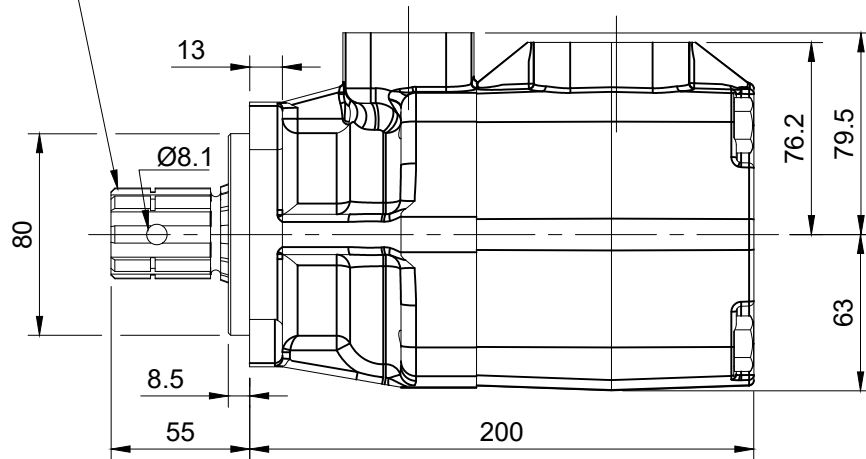


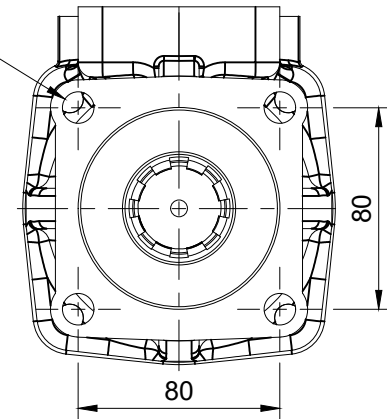
7/16" UNC x 4 Holes  
t/s Code 61 Flange



Shaft 8x32x36  
DIN 5462



Ø12.5 x 4 Holes



BAC-HQ088-\*S \*Rotation D=Clockwise S=Anti-Clockwise



Pump Type		HQ03	
Displacement	cm <sup>3</sup> /rev	88.3	12/12/2022
Max Continuous Operating Pressure	Bar	210	Recommended Filtration
Max Continuous Speed	RPM	2300	Return Line 25µ or Better