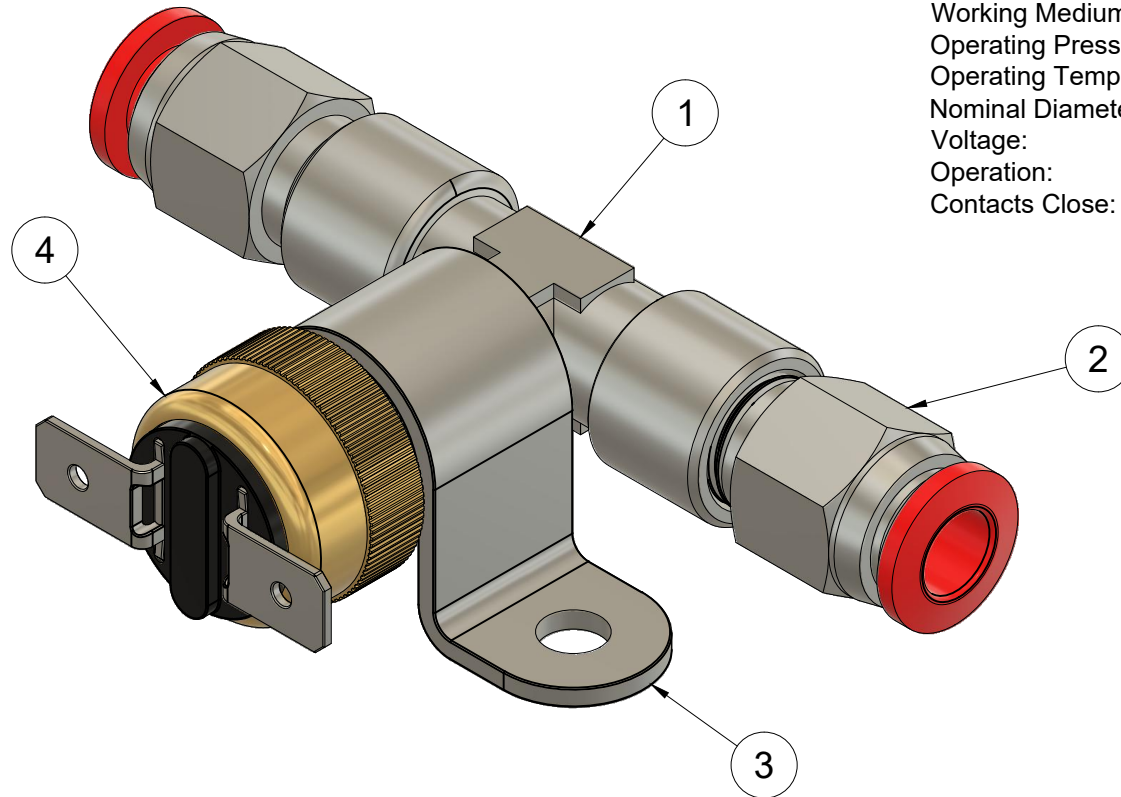


Parts List			
Item	Qty	Part Number	Description
1	1	PA-181818-T	1/8" BSPT Female Tee
2	2	PA-0618	6mm Push x 1/8 BSPT
3	1	PA-Clip	Mounting Clip
4	1	4R111610000	Pneumatic Pressure Switch

Technical Data of 4R111610000:

Working Medium: Air
 Operating Pressure: Max 12 Bar
 Operating Temp: -30°C/+90°C
 Nominal Diameter: Ø4
 Voltage: 24DC
 Operation: N.O. Normally Open
 Contacts Close: 3-4 Bar



ALL DIMENSIONS IN MM

Pressure Switch Kit For Air Systems

4R111610000 KIT 6mm



7/07/2023