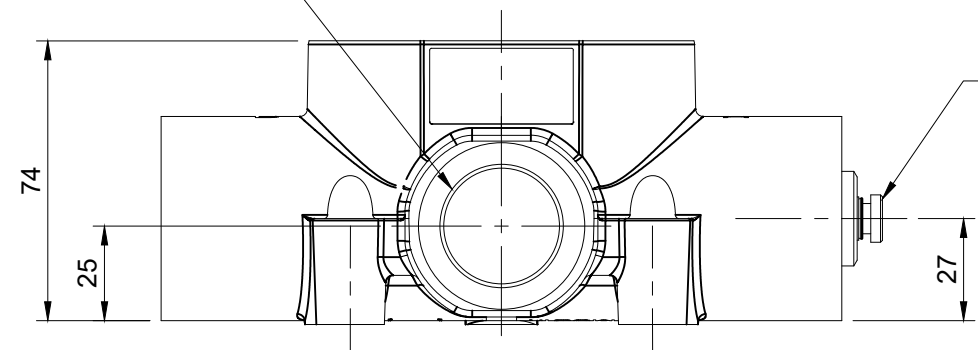
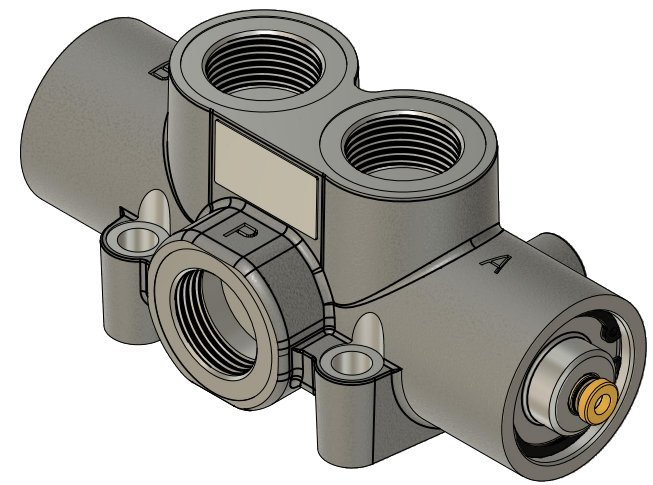


All Ports 1" BSPP

Ø11 x 3 Mount Holes



Ø6 Push Fit Air Inlet

ALL DIMENSIONS IN MM

| | | | |
|------------------------------|-----------|------------------|---------|
| 3 Port Diverter Valve | | | |
| Maximum Flow | 200 L/min | Working Pressure | 350 Bar |

3VDMR100N00



17/04/2023