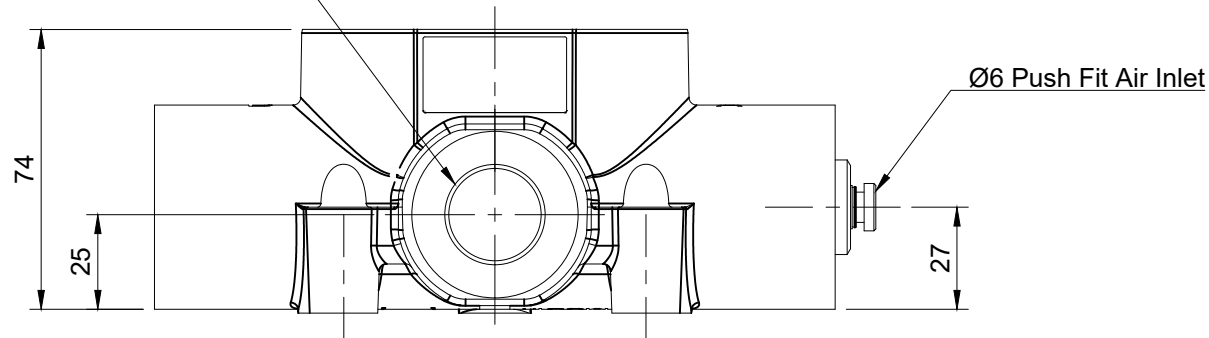
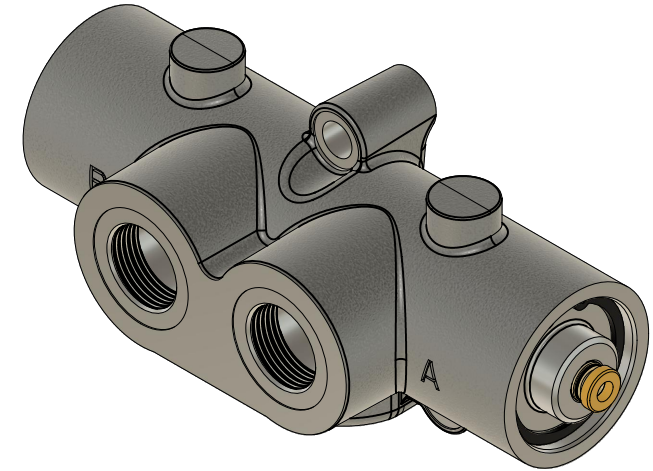


All Ports 3/4" BSPP

Ø11 x 3 Mount Holes



ALL DIMENSIONS IN MM

3 Port Diverter Valve

Maximum Flow	160 L/min	Working Pressure	350 Bar
--------------	-----------	------------------	---------

3VDMR000N00



17/04/2023