

SPARE PARTS

RIGID AXLE 9 t DISK BRAKE Ø430 - SO/SAO
EURO AXLE Ø127 - Offset 120 - 10 Stud M22-Ø335 - 01/12/2014 >

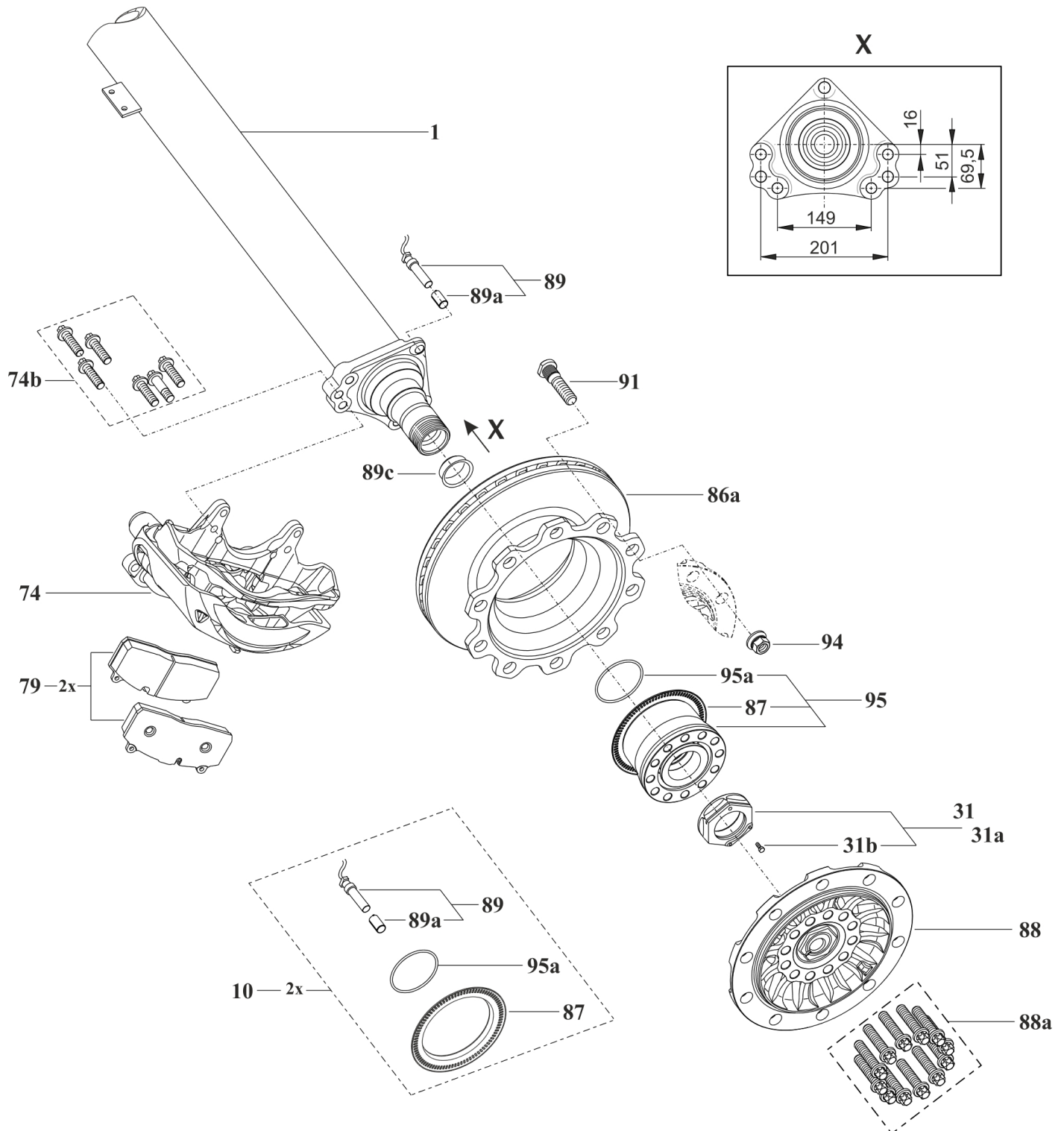
DOKH2 09010 4345H1

Version: 12/2014

Edition: 23/03/2020

EA11017

Page: 1 (3)



RIGID AXLE 9 t DISK BRAKE Ø430 - SO/SAO
EURO AXLE Ø127 - Offset 120 - 10 Stud M22-Ø335 - 01/12/2014 >

DOKH2 09010 4345H1

Version: 12/2014

Edition: 23/03/2020

EA11017

Page: 2 (3)

Item	Part-No.	Qty.	Description	Dimension	From Date	Thru Date
1			Axle beam according to serie-no. of axle			
10	716000063	1	Kit ABS 90 teeth with sensor LG350			
31	709317882	1	Kit spindle nut right with screw	M68x1,5 SW 95		
31a	709317883	1	Kit spindle nut left with screw	M68x1,5 SW 95		
			At axles before 10.10.2017 it's necessary to plug the axle beam with cap 719000105!			
31b	701306016	2	Screw	M6 x 16		
			DISK BRAKE HALDEX 4345H1			
74	719001010	1	Brake caliper 4345 DBT22LT left without brake pads			
74	719001011	1	Brake caliper 4345 DBT22LT right without brake pads			
			Ersatzteile - Bremssattel Haldex DBT19LT / DBT22LT			
74b	716000061	2	Kit screw for 1 brake	M16x1,5		
79	716030000	1	Kit brake pads 4345 DBT22LT Incl. pad retainer gen. II, for replacement into brake caliper gen. I			
86a	709267086	2	Brake disk 4345 Attention: After remove renew the torx screws!	Ø430 / 10xØ26,5/335		
87	719000120	2	ABS sensor ring 90 teeth			
88	709281032	2	Hub flange 22,5 Attention: After remove renew the torx screws!			
88a	709317791	2	Kit screw	M18x1,5 x 80 / Torx E24		
89	700000444	2	Kit Inductive sensor ABS + bush + grease LG 350			
89a	708505035	2	Bush of sensor			
89c	719000105	2	Cap for axle beam			10.10.2017
91	709713579	20	Wheel stud	M22x1,5 x 95		
94	708606072	20	Spigot wheel nut	M22x1,5 SW32		
95	716000062	2	Kit Hub Unit Attention: After remove renew the torx screws!			

SPARE PARTS

RIGID AXLE 9 t DISK BRAKE Ø430 - SO/SAO EURO AXLE Ø127 - Offset 120 - 10 Stud M22-Ø335 - 01/12/2014 >				DOKH2 09010 4345H1			
Version: 12/2014		Edition: 23/03/2020		EA11017		Page: 3 (3)	
Item	Part-No.	Qty.	Description	Dimension	From Date	Thru Date	
	704290082	1	Grease paste for fitting the bearing	100 g			
95a	702501029	2	O-ring	Ø92 x Ø4			