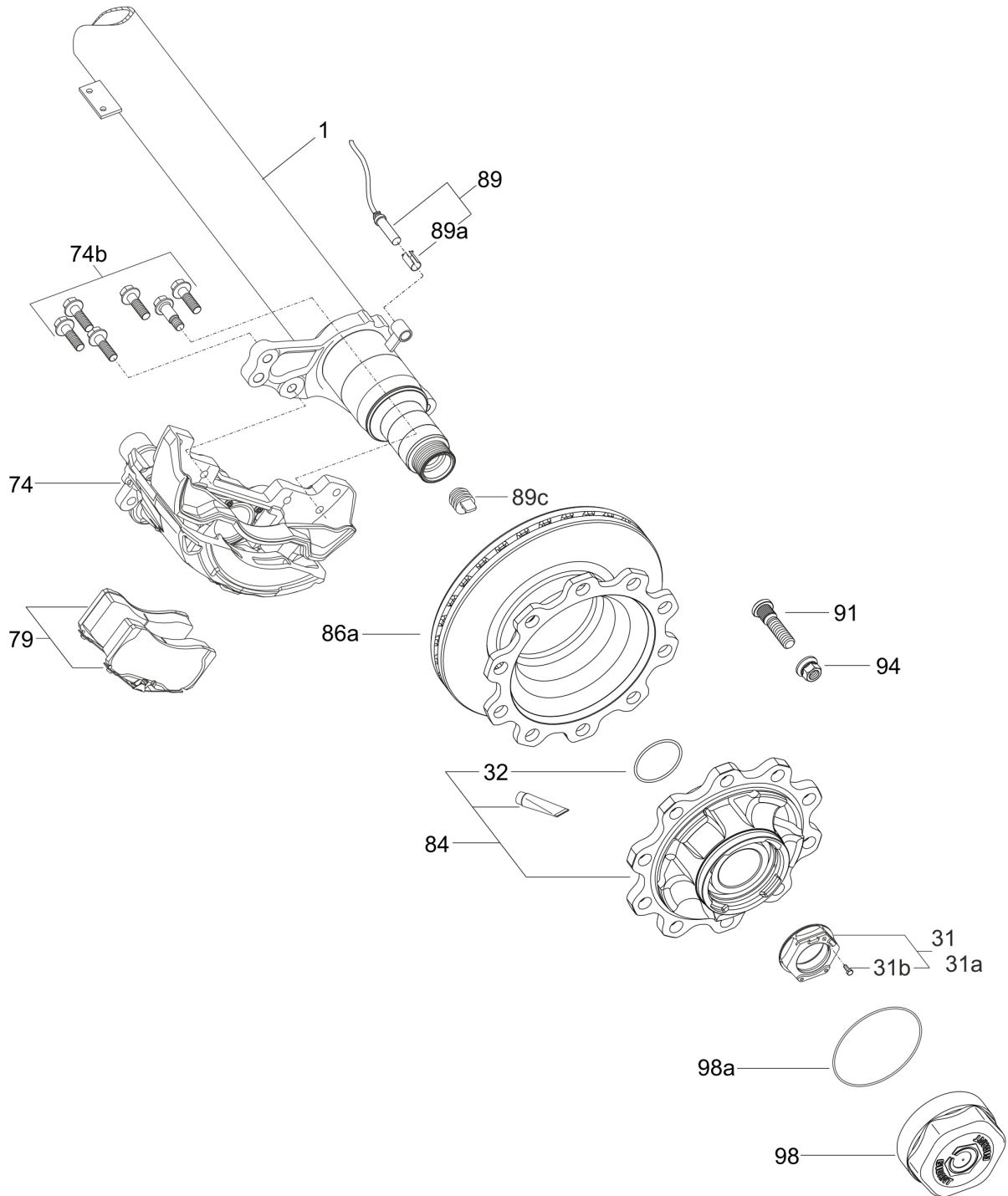


SPARE PARTS

RIGID AXLE 9 t DISK BRAKE Ø430 Ø127 - Offset 0 - 10 Stud M22-Ø335		DKH2 09010 4345K SK7 01.07.2020>	
Version: 07/2020	Edition: 29/09/2020	EA13001	Page: 1 (2)



RIGID AXLE 9 t DISK BRAKE Ø430 Ø127 - Offset 0 - 10 Stud M22-Ø335			DKH2 09010 4345K SK7 01.07.2020>	
Version: 07/2020		Edition: 29/09/2020		EA13001
Item	Part-No.	Qty.	Description	Dimension
1			Axle beam according to serie-no. of axle	
31	709317882	1	Kit spindle nut right with screw	M68x1,5 SW95
31a	709317883	1	Kit spindle nut left with screw	M68x1,5 SW95
31b	701306016	2	Screw	M6x16
32	702500084	2	O-ring	Ø84x4
			DISK BRAKE KNORR 4345	
			A=right / B=left	
74	703024930	1	Brake caliper A without brake pads	SK 7028
74	703024931	1	Brake caliper B without brake pads	SK 7038
	703024880		Ersatzteile - Bremssattel KNORR SN/SK	Guide and gasket set
74b	709317794	2	Kit screw for 1 brake	
79	703024881	1	Kit brake pads	SK 7
			for SO / SAO	
84	709317996	2	Hub complete K2 9/10,5t 4345 SO/SAO with o-rings parts 32 and 98a	
			für ZO / ZAO	
84	709714732	2	Hub complete K2 9/10,5t 4345 ZO/ZAO with o-rings parts 32 and 98a	
86a	700000442	2	Brake disk 4345 with ABS sensor ring	Ø430 10xØ26,5/335
89	700000444	2	Kit Inductive sensor ABS with bush and grease LG 350 (incl. part 89a)	
89a	708505035	2	Bush of sensor	
89c	709404038	2	Cap pass cable	
91	709713579	20	Wheel stud	M22x1,5 L=95
94	708606072	20	Spigot wheel nut	M22x1,5 SW32
98	709237085	2	Hub cap	M170x2 SW160 / 79
98a	702500160	2	O-ring	Ø160x3