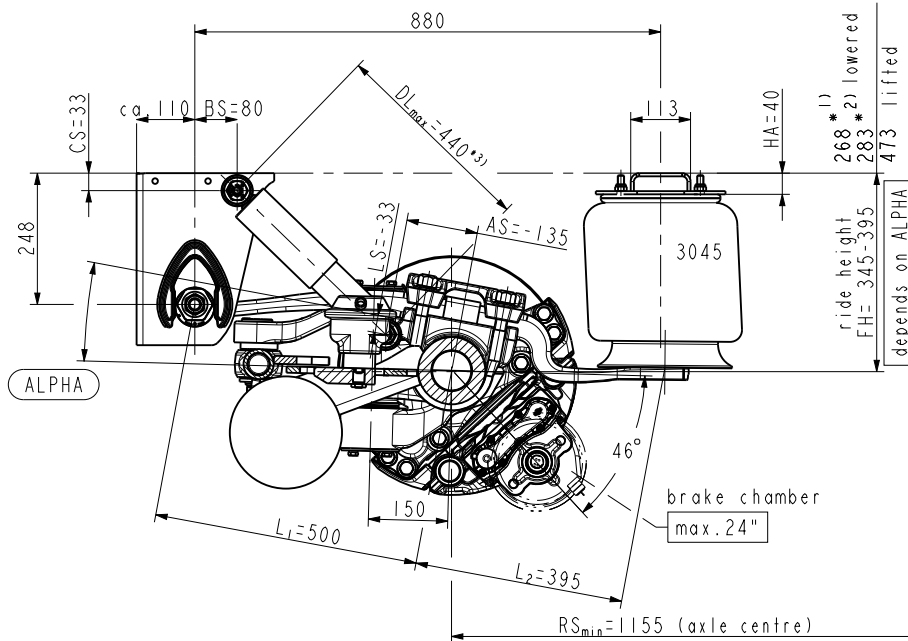


ride height (FH)

DNKH2 090 NKLRM 50.39/9.1 GL70 VS15 345-395



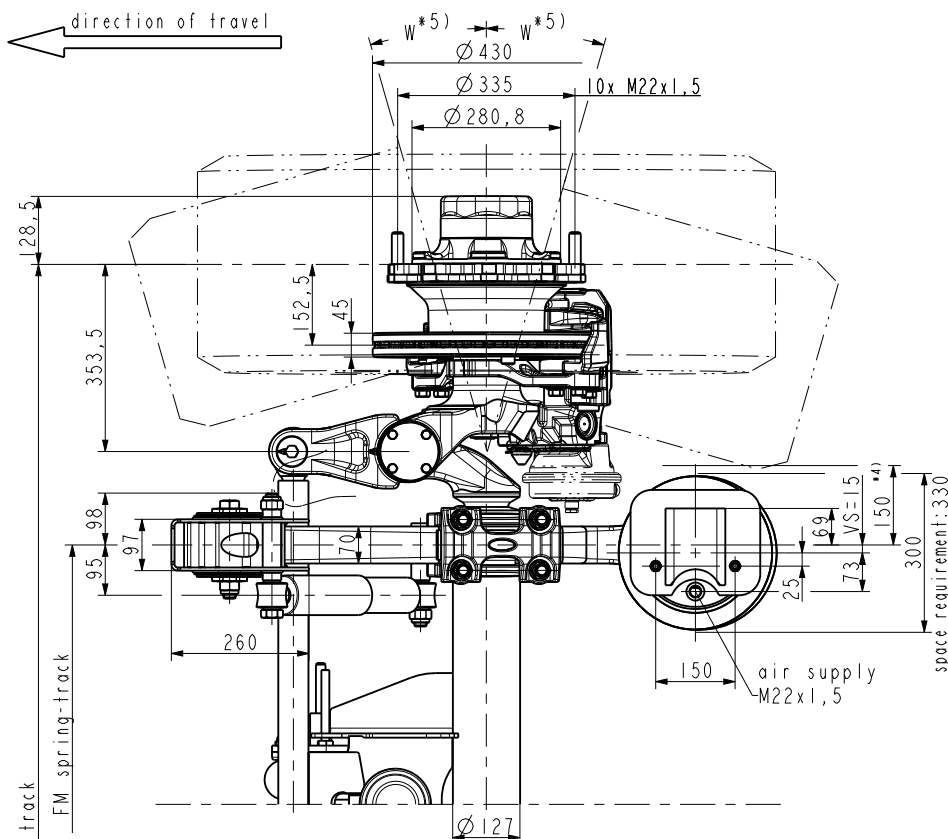
axle load:

max. 9000 kg at 105 km/h

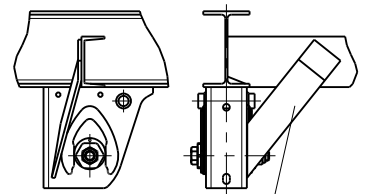
(depend on spring track and centre of gravity height)

lift in total: 190 mm at FH_{OL}*2)

- * 1) laden, without air
- * 2) unladen, without air
- * 3) Just for raising and lowering (HS) locking valve to be adjusted that air supply is stopped at DL_{max}=440.
- * 4) space requirement
- * 5) Reducing of the steer angle has to be done by the trailer manufacturer



Recommendation side support
Details see Installation Instructions



not part of normal delivery

Test report:
361-037-13 (4345 KNORR)

FH/ ALPHA	track	W	FM	KMAT		weight kg (±2%)	Recommendation for single mount
					ABS		
365-385/ 9°	2040	16°	980		793012570	630	
							385/65 R22,5
							Take care of sufficient tyre load capacity

**OBSERVE INSTALLATION
INSTRUCTIONS !!!**

gigant

TRENKAMP & GEHLE GmbH
D-49413 Dinklage

Draw.-no.: 793012568

Index
0